

FlexLock-ready

Follett upright refrigerators



FlexLock available for purchase from Omnicell.

Description

Follett refrigerators custom designed for the Omnicell® XT FlexLock Refrigerator Lock and Temperature Monitor include pre-drilled holes to improve durability and decrease installation time. With Follett refrigerators and FlexLock, hospitals benefit from the enhanced medication management enabled by Omnicell's XT Automated Dispensing Cabinets.

Features

Pre-drilled holes remove the need for double-sided tape and decrease wait-time required for adhesive to dry

Quick and easy installation allows refrigerators to be service ready in less than 15 minutes

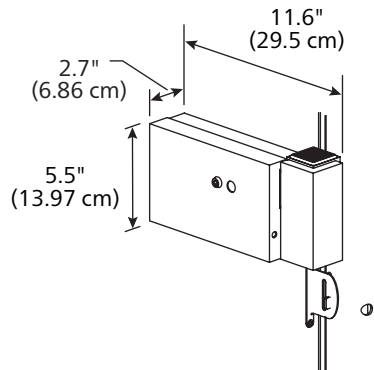
Note: Units ship with lock and strike bracket.

Certifications (applied all products unless otherwise noted)



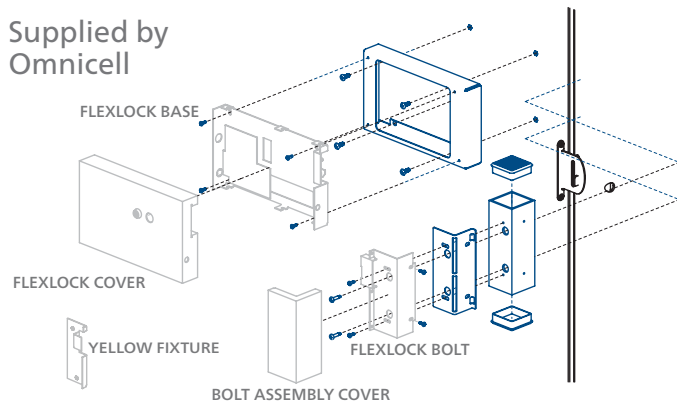
Commercial Refrigerator
SAFETY US/CA – SA12646

Dimensional drawing

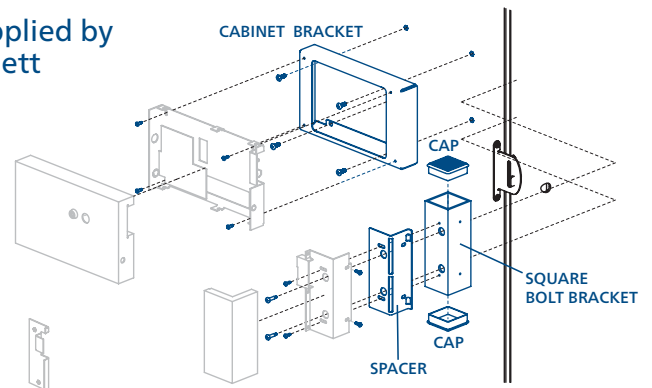


Supplied by Follett	Supplied by Omnicell
(1) Cabinet Bracket	(1) FlexLock Base
(1) Spacer Bracket, Door Bolt	(1) FlexLock Cover
(1) Square Bolt Bracket	(1) Yellow Fixture
(2) Cap Plug, 2" Square	(1) FlexLock Bolt
(4) Screw, #10-32 x 1/2" Long with Patch	(1) Bolt Assembly Cover
(2) Screw, #10-16 x 1" Long Drill Point	
(8) Screw, #6-32 x 3/8" Long Type F Self Threading	

Supplied by Omnicell



Supplied by Follett



Infinity Series™ single door upright refrigerator model configurations

Item number	Cubic capacity cu ft (L)	Vaccine storage capacity cu ft (L)	Storage system	Hinging	Door style	Heated door	Keypad	Width in (cm)	Depth in (cm)	Height in (cm)	Approx. ship wt lb (kg)
REFOMN12i-4S-R00G	12.0 (340)	7.2 (204)	4 shelves	right	glass	no	no	23.75 (60.3)	26.60 (67.6)	72.00 (182.9)	420 (191)
REFOMN20i-4S-R0000G	19.7 (558)	12.7 (360)	4 shelves	right	glass	no	no	29.75 (75.6)	30.50 (77.5)	79.50 (201.9)	431 (196)
REFOMN25i-4S-R0000G	24.6 (697)	16.8 (476)	4 shelves	right	glass	no	no	29.75 (75.6)	36.50 (92.7)	79.50 (201.9)	477 (217)
REFOMN12i-4S-R00S	12.0 (340)	7.2 (204)	4 shelves	right	stainless	no	no	23.75 (60.3)	26.60 (67.6)	72.00 (182.9)	420 (191)
REFOMN12i-4S-L00G	12.0 (340)	7.2 (204)	4 shelves	left	glass	no	no	23.75 (60.3)	26.60 (67.6)	72.00 (182.9)	420 (191)
REFOMN20i-4S-L0000G	19.7 (558)	12.7 (360)	4 shelves	left	glass	no	no	29.75 (75.6)	30.50 (77.5)	79.50 (201.9)	431 (196)
REFOMN25i-4S-L0000G	24.6 (697)	16.8 (476)	4 shelves	left	glass	no	no	29.75 (75.6)	36.50 (92.7)	79.50 (201.9)	477 (217)
REFOMN20i-6B-R0000G	19.7 (558)	12.8 (362)	6 baskets	right	glass	no	no	29.75 (75.6)	30.50 (77.5)	79.50 (201.9)	489 (222)
REFOMN25i-6B-R0000G	24.6 (697)	16.4 (464)	6 baskets	right	glass	no	no	29.75 (75.6)	36.50 (92.7)	79.50 (201.9)	467 (212)
REFOMN20i-6B-L0000G	19.7 (558)	12.8 (362)	6 baskets	left	glass	no	no	29.75 (75.6)	30.50 (77.5)	79.50 (201.9)	489 (222)
REFOMN25i-6B-L0000G	24.6 (697)	16.4 (464)	6 baskets	left	glass	no	no	29.75 (75.6)	36.50 (92.7)	79.50 (201.9)	467 (212)

OMNICELL and the Omnicell brandmark are registered trademarks of Omnicell, Inc. in the United States and internationally. ©2021 All rights reserved.
 INFINITY SERIES is a trademark of Follett Products, LLC.
 FOLLETT and FOLLETT HEALTHCARE are registered trademarks of Follett Products, LLC, registered in the US.
 Follett reserves the right to change specifications at any time without obligation. Certifications may vary depending on country of origin.