

FZR4P ADA-Compatible Performance Plus

medical-grade undercounter freezer



Features

Superior temperature performance

- custom-designed microprocessor temperature controller
- air-cooled refrigeration system with heavy duty 1/4 horsepower compressor
- environmentally friendly, non-CFC R404a refrigerant
- programmed automatic defrost every 6 hours
- cabinet-wide temperature remains within ± 1 C (1.8 F), even with frequent door openings

Convenience and security

- fits below 34.00" (86.4 cm) ADA countertops without casters
- refrigeration system settings accessed through door-mounted controls
- exterior LED digital temperature display available in user-programmable C or F with choice of product or air temperature
- user-programmable audible and visual high/low alarms
- mechanical lock – mounted on side of door
- lockable controller so set points cannot be inadvertently changed
- flexible internal storage configuration (drawers and shelves interchangeable)
- Agion® antimicrobial and UV product protection added to molded plastic façade¹

Durability and serviceability

- stainless steel construction on exterior and interior
- two epoxy-coated wire shelves standard
- back wall evaporator and front ventilation (no top, back or side clearance required)
- heavy-duty edge-mount self-closing hinges
- solid stainless steel door
- right or left-hinged door with integral handle and magnetic gasket door closure provides ease-of-use

Warranty

- 2 year parts and labor
- 5 year compressor parts only
- optional extended one year warranty (item# EW12)
 - 3 year parts and labor
 - 5 year compressor parts only
- optional extended three year warranty (item# EW36)
 - 5 year parts and labor

Certifications (applied to all products unless otherwise noted)



Commercial Refrigerator
SAFETY US/CA – SA12646

Model configurations			
Controls	Hinge location ¹	Keypad	Item number
LED	right	no	FZR4P-OR-00-00
		yes	FZR4P-OR-KP-00
	left	no	FZR4P-OL-00-00
		yes	FZR4P-OL-KP-00

¹ As facing the unit.

Options and accessories¹

- Replacement NTC probe with NIST-traceable certificate of calibration (item# 01077841)
- Additional shelf (1) (item# 01059484)
- Drawer accessory kit (1 drawer, glide hardware and flush front panel) (item# 01053644)
- Drawer accessory kit (2 drawers, glide hardware and flush front panel) (item# 01067750))
- Temperature surveillance module (includes alarm, 8.00" (20.32 cm) chart recorder, remote contacts) (item# 01570860)
- Universal ADC-compatible bracket (for all medication dispensing system locks) (item# 01059096)
- Glycerine, 16 oz (item# 00959296)
- Stacking kit (Performance Plus on Performance Plus) (item# 01054006)
- Stacking kit (REF/FZR Series on Performance Plus) (item# 01067172)
- Pedestal base, 23.75" wide x 24.00" deep x 17.00" high (60.3 x 61.0 x 43.2 cm), stainless (item# 01059120)
- Casters (set of 4 with spacers) (item# 01053636)
- Wall mount kit (item# 00153700)
- Seismic bracket kit (item# 01059104)
- NO/NC dry contacts for connection to remote alarm systems (item# 01092022)

¹ Disclaimer: Antimicrobial protection is limited to the plastic façade.

² Certifications do not apply to options and accessories.

Specification

Nominal capacity	3.9 cu ft (110 L)
Ventilation clearance	0.0" for top, side and back clearance

Exterior

W1 Width	23.75" (60.3 cm)
D1 Depth cabinet	25.62" (65.1 cm)
Depth with façade	27.00" (68.6 cm)
H1 Height	31.38" (79.7 cm)
Height with casters	33.88" (86.1 cm)
Door swing	24.00" (60 cm) from front of cabinet, 180° from closed

Interior

Width	19.75" (50.2 cm)
Depth	18.32" (46.5 cm)
Height	18.94" (48.1 cm)
Storage system	(2) 18.10" x 19.10" (46.0 cm x 48.5 cm) epoxy-coated steel shelves

Door configurations

Door	solid, foamed stainless 21.50" x 22.51" x 1.63" (54.6 cm x 57.2 cm x 4.0 cm)
Door lock	cylinder lock
Door handle	molded into front façade
Door hinges	edge-mount, self-closing, right or left
Gasket	magnetic

Electrical

C1 115 V/60/1 electrical	7.1 run load amps, NEMA 5-15P 90° hospital-grade plug. PVC, SJT, 16GA, 7' (2.1 m) cord.
Maximum size of branch circuit overcurrent device	15 amps dedicated circuit

Controls

Temperature display	standard 7 segment LED
C2 3rd party probe access	rear access port
Factory preset	-27.8 C
Product simulation bottle	(1) 60 ml
Programmable operating range	-37 to -18 C (-35 F to 0 F)

Alarming

High and low product temperature alarm	audible and visual, user programmable set points in C or F
Probe error alarm	audible and visual — product temperature probes, refrigeration and defrost
Alarm mute	user selectable
Alarm volume	0 -10 adjustable
Min/max temperature log	shows highest and lowest product temperature since last reset occurred

System performance

Refrigerant and charge	R404a refrigerant, 10 oz
Energy consumption	5.8 kWh/day
Nominal heat rejection ¹	825 BTU/hr (242 W)
Max heat rejection	2175 BTU/hr (637 W)

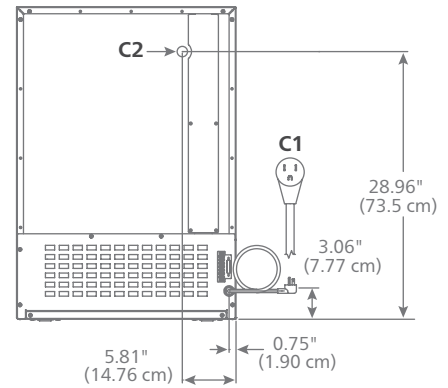
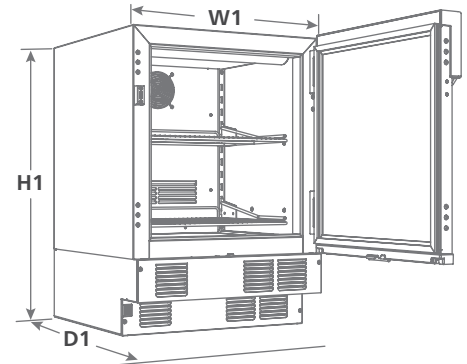
Shipping

Approximate net weight	170 lb (77 kg)
Approximate ship weight	205 lb (93 kg)

NOTE: For indoor use only

SHORT FORM SPECIFICATION: Performance Plus undercounter freezer fits under 34.00" (86.4 cm) ADA-height counter with 3.9 cu ft (110 L) of nominal capacity. Includes (2) epoxy-coated wire shelves, adjustable in 1.50" (3.81 cm) increments. Environmentally responsible R404a forced-air cooled refrigeration system. Top-mounted controls display product or air temperature in user-selectable C or F. Integral high and low temperature alarming. Storage area insulated with CARB compliant non-HFC foam. 7' (2.1 m) power cord with NEMA 5-15P 90° hospital-grade plug. UL and CUL listed.

Dimensional drawing



¹ Nominal heat rejection means heat rejection from a freezer in a 75 F (24 C) ambient with proper ventilation, an empty cabinet, default settings, default defrost schedules/durations, and nominal supply 115-120 VAC.

Agion is a registered trademark of Sciessent LLC. FOLLETT and FOLLETT HEALTHCARE are registered trademarks of Follett Products, LLC, registered in the US. Follett reserves the right to change specifications at any time without obligation. Certifications may vary depending on country of origin.