



Replacement ice machines

for Symphony™/Symphony Plus™ ice and water dispensers

Replacement air- or water-cooled ice machine with up to 425 lb (193.0 kg) daily production of popular Chewblet® ice

- environmentally responsible R404a refrigerant with zero ozone depletion potential
- water and energy efficient
- stainless steel evaporator and auger
- quiet production without noisy harvest cycles

Warranty

- 3 years parts and labor, 5 years compressor parts

Accessories

Installation of an in-line water filtration system is recommended

Bacterial retentive water filter system (see form# 8320) (item# 01233659)

___ ea. replacement water filter kit (item# 01244615)

Carbonless water filter kit (see form# 1058) (Item# CARBONLESSHICAPSYS)

___ ea. extra primary water filter cartridge (item# CARBONLESSHICAPFILT)

___ ea. extra pre-filter cartridge (item# SEDIMENTPREFILTER)

Standard carbon water filter kit (see form# 1058) (item# CARBONSTDCAPSYSTEM)

___ ea. extra primary water filter cartridge (item# CARBONSTDCAPFILTER)

___ ea. extra pre-filter cartridge (item# SEDIMENTPREFILTER)





Nu-Calgon IMS-III sanitizer, 16 oz bottle (item# 00979674)

SafeCLEAN Plus™ ice machine cleaner

1 x 8 oz (237 ml) bottle (item# 01147826)

6 x 8 oz (237 ml) bottles (item# 01149954)

24 x 8 oz (237 ml) bottles (item# 01149962)

Symphony and Symphony Plus ice machines						
Dispenser series	Condenser	Model number for Symphony	Model number for Symphony Plus	Item number		
Countertop and wall mount dispensers with ice machine behind splash panel		air	25CI400A	25CI425A	P425A	
			25HI400A	25HI425A		
			50CI400A	50CI425A		
			50HI400A	50HI425A		
	water		25CI400W	25CI425W	P425W	
			50CI400W	50CI425W		
Countertop and wall mount dispensers with top mounted ice machines		air	25CT400A	N/A	P425A	
				25HT400A		N/A
				50CT400A		N/A
				50HT400A		N/A
		water		110CT400A	110CT425A	P425W
				25CT400W	N/A	
				25HT400W	N/A	
				50CT400W	N/A	
		50HT400W	N/A			
		110CT400W	110CT425W			
Countertop and wall mount dispensers with RIDE® model ice machines		air	25CR400A	25CR425A	R425A	
				25HR400A		25HR425A
				50CR400A		50CR425A
				50HR400A		50HR425A
		water		110CR400A	110CR425A	R425W
				25CR400W	25CR425W	
				25HR400W	25HR425W	
				50CR400W	50CR425W	
		50HR400W	50HR425W			
		110CR400W	110CR425W			
Freestanding dispensers with ice machine in base		air	25FB400A	25FB425A	P425A	
				50FB400A		50FB425A
				110FB400A		110FB425A
		water		25FB400W	25FB425W	P425W
				50FB400W	50FB425W	
				110FB400W	110FB425W	
All dispensers with RIDE model ice machines (CR and HR) built prior to March 2001 (Pre-Symphony)				R425A R425W		

Specification

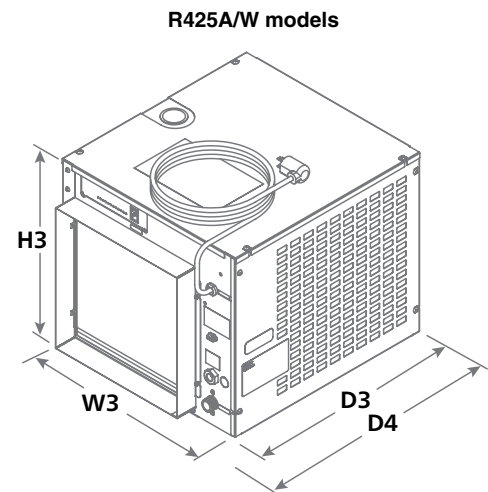
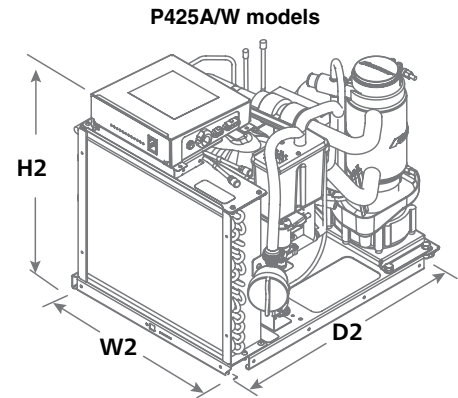
P425A and P425W Models

W2 Width	15.25" (38.7 cm)
D2 Depth	19.85" (50.4 cm)
H2 Overall height	16.83" (42.7 cm)
Electrical	11 amps
115 V/60/1	
Approximate net weight	109 lb (49 kg)
Approximate ship weight	130 lb (59 kg)

R425A and R425W Models

W3 Width	18.80" (47.8 cm)
D3 Depth, water-cooled	20.75" (52.7 cm)
D4 Depth, air-cooled	22.75" (57.8 cm)
H3 Overall Height	17.10" (43.4 cm)
Electrical	11 amps
115 V/60/1	7' (2.1 m) cord, NEMA 5-15 90° hospital-grade plug.
Approximate net weight	109 lb (49 kg)
Approximate ship weight	131 lb (60 kg)

Dimensional drawing



SYMPHONY, SYMPHONY PLUS and SAFECLEAN PLUS are trademarks of Follett Products, LLC. CHEWBLET, FOLLETT and RIDE are registered trademarks of Follett Products, LLC, registered in the U.S. Follett reserves the right to change specifications at any time without obligation. Certifications may vary depending on country of origin.

Replacement ice machines