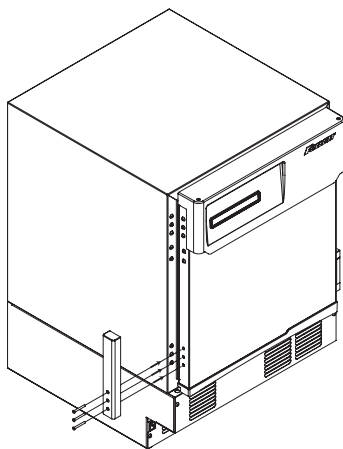


### Item# 01059096

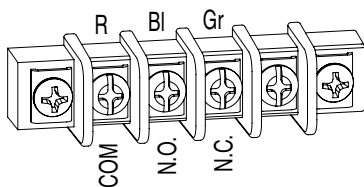


### Universal automated medication dispensing cabinet bracket for undercounters

Universal door bracket allows Follett® Performance Plus undercounter refrigerators and freezers to be used with all automated medication dispensing locking systems. Not required for countertop units.

- brushed aluminum bracket mounts to side of door to create 90 degree angle flush with side of cabinet (attaches with 3 screws onto side of door)
- facilitates installation of any automated medication dispensing system locks
- undercounter installations require side clearances for lock boxes (check with your medication dispensing system representative)
- shipping dimensions – 11.00" x 9.00" x 7.00" (27.9 x 22.9 x 17.8 cm)
- shipping weight – 3 lb (1.4 kg)

### Item# 01092022



### Dry (NO/NC) contacts for countertops and undercounters

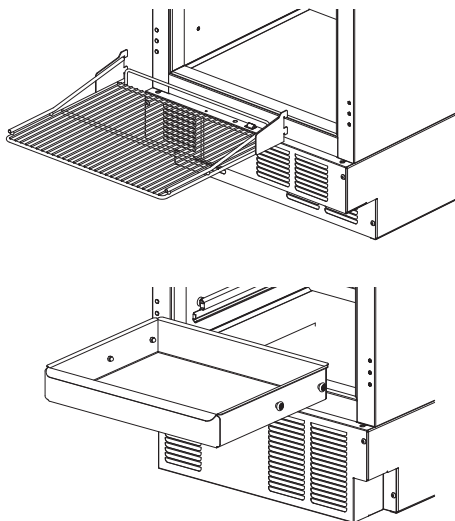
For connection to remote alarming via dry (NO/NC) contacts (LED control units only). For use with countertop and undercounter refrigerators and freezers. Factory-installed in touchscreen units.

- includes cable and rear panel connection block
- shipping dimensions – 8.00" x 5.00" x 5.00" (20.3 x 12.7 x 12.7 cm)
- shipping weight – 1 lb (0.5 kg)

### Item# 01059484 – Shelf

### Item# 01053644 – 1 drawer accessory kit

### Item# 01067750 – 2 drawer accessory kit



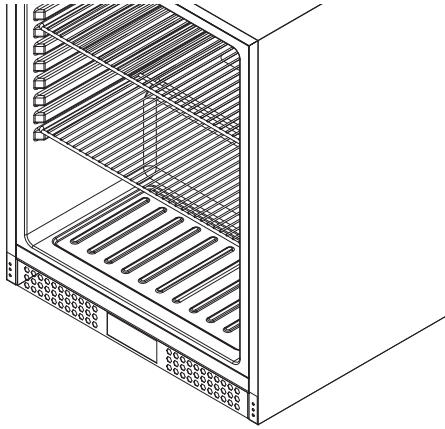
### Additional shelves and drawers for REF4P and REF5P undercounter refrigerator and freezers

Performance Plus offers flexible internal storage options. For Performance Plus undercounter refrigerators and freezers, drawers and shelves are interchangeable and can be used in combination.

- includes 1 epoxy-coated wire shelf
- dimensions for shelf – 18.10" x 19.10" (46.0 x 48.5 cm)
- stainless steel drawer(s) with heavy-duty telescopic stainless steel drawer glides (both drawer kits include flush front panel)
- dimensions for inside of drawers – 14.63" x 17.82" x 3.00" (37.16 x 44.8 x 7.62 cm)
- shipping dimensions:
  - item# 01059484 – 20.00" x 18.00" x 5.00" (50.8 x 45.7 x 12.7 cm)
  - item# 01053644 – 24.00" x 24.00" x 7.00" (61.0 x 61.0 x 17.8 cm)
  - item# 01067750 – 25.00" x 25.00" x 13.00" (63.5 x 63.5 x 33.0 cm)
- shipping weight:
  - item# 01059484 – 5 lb (2.3 kg)
  - item# 01053644 – 12 lb (5.4 kg)
  - item# 01067750 – 27 lb (12.2 kg)

---

**Item# 01557727**



---

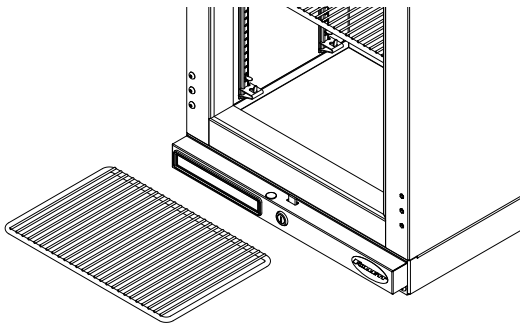
**Additional shelves for REFADV5 undercounter refrigerators**

For Follett Advantage® undercounter refrigerators.

- includes 2 wire shelves, adjustable in 1.375" (3.49 cm) increments
- dimensions for shelf – 19.00" x 18.00" (48.3 x 45.7 cm)
- shipping dimensions – 24.00" x 24.00" x 3.00" (61.0 x 61.0 x 7.62 cm)
- shipping weight – 8 lb (3.6 kg)

---

**Item# 00969956**



---

**Additional shelf for countertops**

For countertop refrigerators and freezers.

- includes 1 epoxy-coated wire shelf, adjustable in 0.5" (13 mm) increments (except FZR1)
- dimensions – 13.81" x 9.06" (35.08 x 23.01 cm)
- shipping dimensions – 19.00" x 11.00" x 7.00" (48.3 x 27.9 x 17.8 cm)
- shipping weight – 3 lb (1.4 kg)

---

**Item# 00969931**



---

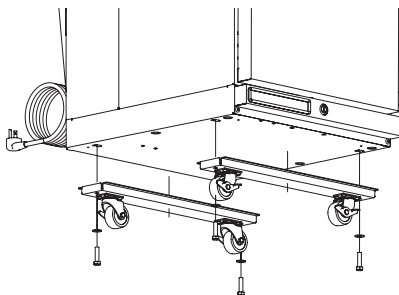
**Organizing bins for countertops**

For countertop refrigerators and freezers.

- set of six
- color varies
- outer bin dimensions – 3.00" x 4.00" x 8.00" (7.62 x 10.16 x 20.32 cm)
- shipping dimensions – 19.00" x 11.00" x 7.00" (48.3 x 27.9 x 17.8 cm)
- shipping weight – 4 lb (1.8 kg)

---

**Item# 01111947**



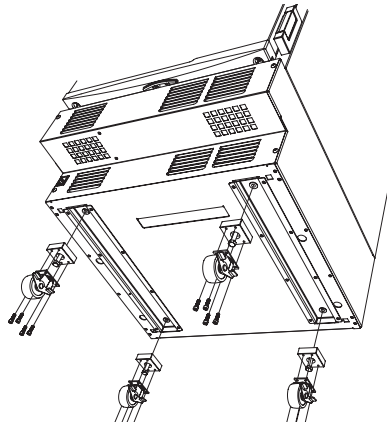
---

**Caster kit for countertops**

Optional casters provide easy moving for cleaning behind countertop refrigerators and freezers.

- 4 heavy-duty locking casters
- mounting hardware included
- casters add 3.25" (8.26 cm) to height of the unit
- NOTE: Casters cannot be used with stacked units or pedestal
- shipping dimensions – 18.00" x 10.00" x 7.00" (45.7 x 25.4 x 17.8 cm)
- shipping weight – 6 lb (3 kg)

**Item# 01053636**



**Caster kit for undercounters**

Optional casters provide easy moving for cleaning behind Performance Plus undercounter refrigerators and freezers.

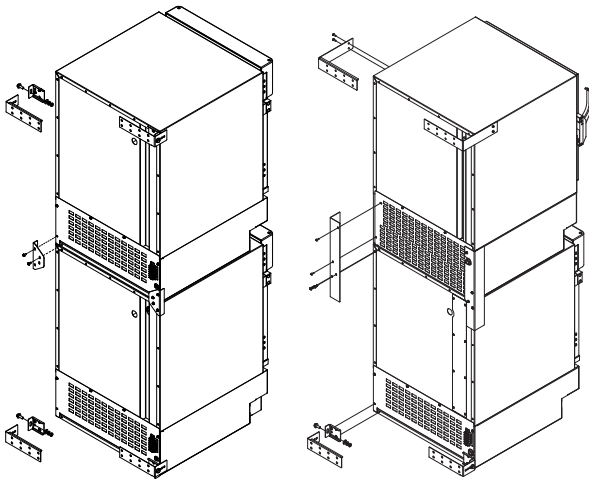
- 4 heavy-duty casters (2 locking, 2 non-locking)
- spacers included
- casters add 2.50" (6.35 cm) to height of the unit
- NOTE: Casters cannot be used with stacked units or 17.00" (43.2 cm) pedestal
- shipping dimensions – 11.00" x 9.00" x 7.00" (27.9 x 22.9 x 17.8 cm)
- shipping weight – 4 lb (1.8 kg)

**Item# 01054006**

(Fits Performance Plus stacked on Performance Plus models)

**Item# 01067172**

(Fits Legacy REF/FZR series stacked on Performance Plus models)



**Stacking kits for undercounter on undercounter**

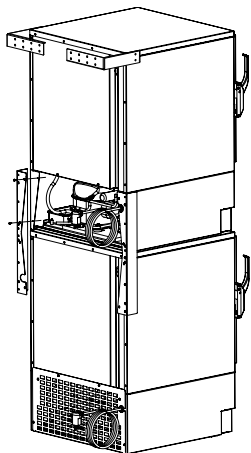
Brackets and wall anchor hardware maximize floor space by allowing any combination of Follett Performance Plus or Legacy REF/FZR undercounter refrigerators or freezers to be stacked.

- stainless steel kit includes back brackets to secure units together
- stainless steel wall brackets to anchor stacked configuration to wall
- stainless steel flush front kickplate included in kit for bottom unit
- shipping dimensions – 28.00" x 16.00" x 5.00" (71.1 x 40.6 x 12.7 cm)
- shipping weight – 8 lb (3.6 kg)

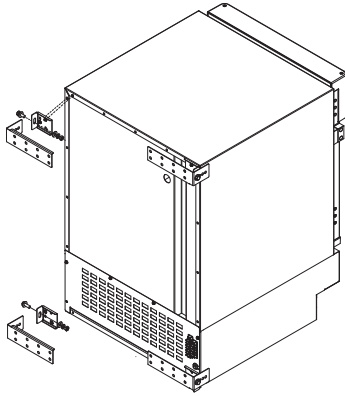
Models stacked	Width in (cm)	Depth with handle in (cm)	Height in (cm)
For 4 cu ft units on 4 cu ft units	23.75 (60.3)	27.50 (69.8)	62.62 (159.0)
For 5 cu ft units on 5 cu ft units	23.75 (60.3)	27.50 (69.8)	68.12 (173.0)
Any combination of one REF/FZR 4 cu ft and REF/FZR 5 cu ft	23.75 (60.3)	27.50 (69.8)	65.37 (166.0)

**Item# 00926618**

(Fits Legacy REF/FZR series stacked on Legacy REF/FZR series)



**Item# 01059104**

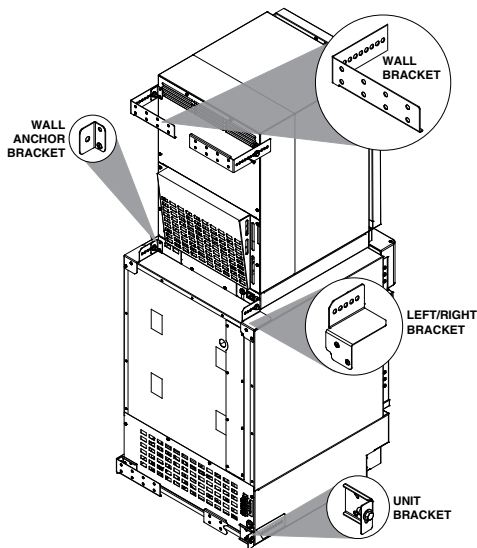


**Seismic bracket for undercounters**

Metal brackets with included hardware designed to secure a single unit.

- shipping dimensions – 11.00" x 9.00" x 7.00" (27.9 x 22.9 x 17.8 cm)
- shipping weight – 4 lb (1.8 kg)

**Item# 01100759**

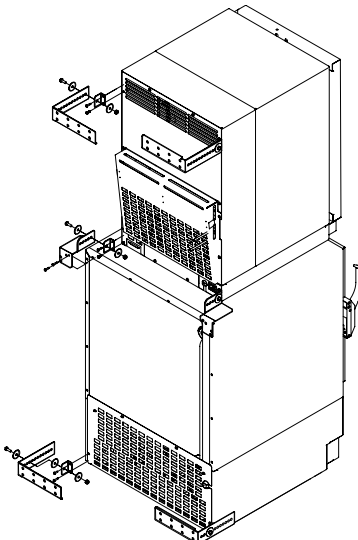


**Stacking kit for countertop on undercounter**

Stainless steel stacking kit maximizes space by allowing a combination of Follett countertop refrigerators or freezers to be stacked on Follett Performance Plus refrigerators or freezers.

- kit includes brackets to secure units together and anchor the stacked configuration to the wall
- shipping dimensions – 25.00" x 14.00" x 14.00" (63.5 x 35.6 x 35.6 cm)
- shipping weight – 4 lb (1.8 kg)

**Item# 01142363**

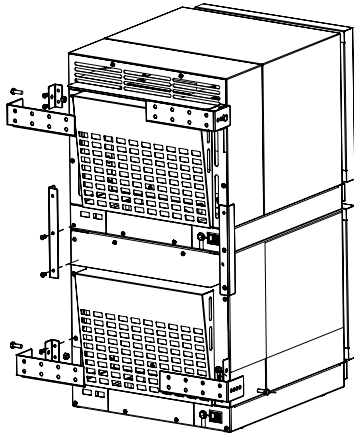


**Stacking kit for countertop on Legacy REF/FZR series undercounter**

Stainless steel stacking kit maximizes floor space by allowing a Follett countertop refrigerator or freezer to be stacked on a Follett Legacy REF/FZR series undercounter refrigerator or freezer.

- kit includes brackets to secure units together and anchor the stacked configuration to the wall, and kick plate for Legacy REF/FZR series unit
- shipping dimensions – 24.00" x 14.00" x 14.00" (61.0 x 35.6 x 35.6 cm)
- shipping weight – 10 lb (4.5 kg)

---

**Item# 01100742**

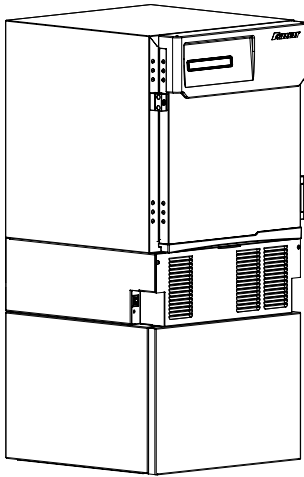
---

**Stacking kit for countertop on countertop**

Stainless steel stacking kit maximizes space by allowing a combination of Follett countertop refrigerators or freezers to be stacked.

- kit includes brackets to secure units together and anchor the stacked configuration to the wall
- shipping dimensions – 11.00" x 9.00" x 7.00" (27.9 x 22.9 x 17.8 cm)
- shipping weight – 4 lb (1.8 kg)

---

**Item# 01059120**

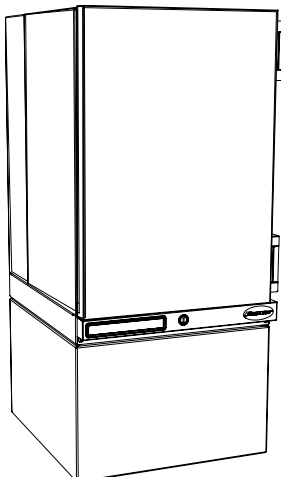
---

**17.00" (43.2 cm) pedestal base for undercounters**

Stainless steel base elevates any Follett undercounter refrigerator or freezer height allowing easy access.

- same footprint as REF or FZR – 23.75" W x 24.00" D (60.3 cm x 61.0 cm)
- leveling feet with plastic glides
- ships in separate carton
- includes flush-front kick plate
- shipping dimensions – 30.00" x 33.00" x 24.00" (76.2 x 83.8 x 61.0 cm)
- shipping weight – 69 lb (31.3 kg)

---

**Item# 01025881**

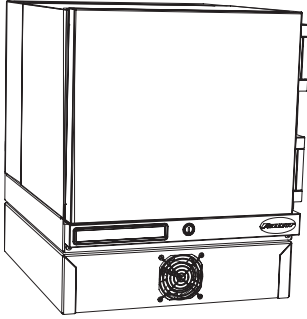
---

**12.00" (30.5 cm) pedestal base for countertops**

Stainless steel base elevates any Follett countertop refrigerators and freezers above the floor for improved access. Requires a minimum of 2.00" (5.08 cm) on each side and 8.00" (20.32 cm) on top for ventilation. If less than 8.00" (20.32 cm) of top clearance is available, 6.00" (15.24 cm) right or left clearance is required.

- may be used with either REF1/FZR1 or REF2/FZR2 models - 18.60" (47.2 cm) wide x 20.00" (50.8 cm) deep
- rubberized feet protect surfaces and reduce equipment movement
- pedestal ships in separate carton
- shipping dimensions – 24.00" x 24.00" x 21.00" (61.0 x 61.0 x 53.3 cm)
- shipping weight – 31 lb (14.1 kg)

**Item# 01025899**

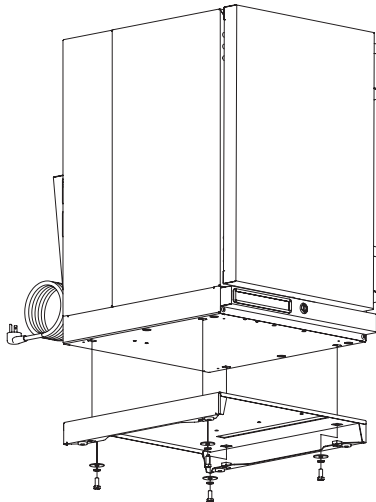


**4.50" (11.43 cm) pedestal base for countertops**

Fan assist pedestal provides additional air circulation to eliminate the need for side clearance on any Follett countertop refrigerator or freezer. A minimum of 2.00" (5.08 cm) top clearance is required.

- may be used with either REF1/FZR1 or REF2/FZR2 models - 18.60" (47.2 cm) wide x 20.00" (50.8 cm) deep
- rubberized feet protect surfaces and reduce equipment movement
- pedestal ships in separate carton
- shipping dimensions – 24.00" x 24.00" x 7.00" (61.0 x 61.0 x 17.8 cm)
- shipping weight – 15 lb (6.8 kg)

**Item# 01184845**

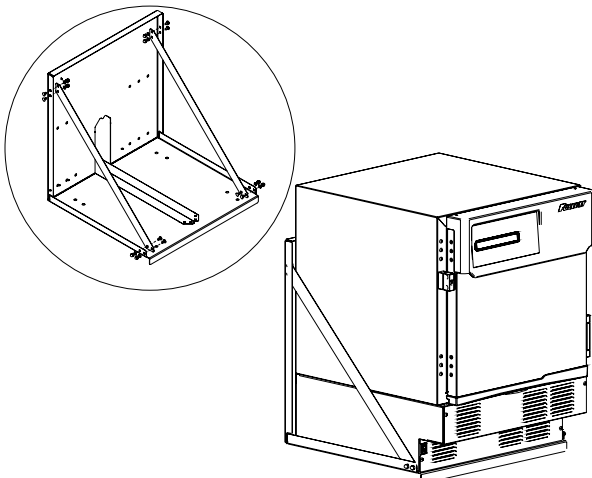


**2.00" (5.08 cm) pedestal base for countertops**

Stainless steel base elevates any Follett countertop refrigerators and freezers above the floor for improved access. Requires a minimum of 2.00" (5.08 cm) on each side and 8.00" (20.32 cm) on top for ventilation. If less than 8.00" (20.32 cm) of top clearance is available, 6.00" (15.24 cm) right or left clearance is required.

- may be used with either REF1/FZR1 or REF2/FZR2 models - 18.60" (47.2 cm) wide x 20.00" (50.8 cm) deep
- rubberized feet protect surfaces and reduce equipment movement
- pedestal and mounting hardware ships in separate carton
- shipping dimensions – 24.00" x 24.00" x 4.00" (61.0 x 61.0 x 10.2 cm)
- shipping weight – 12 lb (5.4 kg)

**Item#00153700**

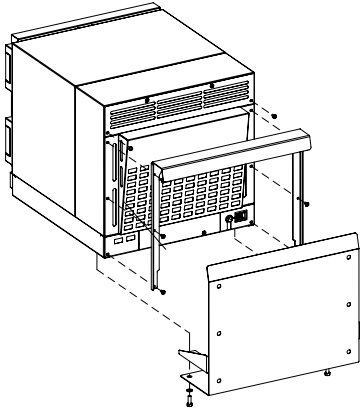


**Wall mount bracket for undercounters**

Wall mount bracket with included hardware designed to secure unit to the wall.

- shipping dimensions – 54.00" x 30.00" x 4.00" (137.2 x 76.2 x 10.2 cm)
- shipping weight – 33 lb (15 kg)

Item# 00969949



## Wall mount bracket for countertops

Mounting plate and metal brackets with included hardware designed to secure unit to the wall.

- shipping dimensions – 24.00" x 24.00" x 7.00" (61.0 x 61.0 x 17.8 cm)
- shipping weight – 17 lb (7.7 kg)

Item# 01528512



## DWE-VFC data logger

Dickson VFC-compliant display data logger with Wi-Fi or Ethernet capability. Ships with glycol thermistor sensor and a 1-Point NIST calibration.

- includes: data logger, probe, certificate of calibration, and USB cable (subscription sold separately, contact Dickson for pricing)
- alarm type – text, email, phone call, audio, and visual
- local storage of 400,000 sample points
- AC powered with rechargeable battery backup (one week of backup power)
- one sensor port
- VFC/CDC compliant
- dimensions – 1.70" x 4.25" x 4.25" (4.3 x 10.8 x 10.8 cm)
- shipping dimensions – 8.00" x 5.00" x 5.00" (20.3 x 12.7 x 12.7 cm)
- shipping weight – 4 lb (1.8 kg)

Item# 01528538



## TWP-VFC data logger

Dickson VFC-compliant display data logger with Power Over Ethernet or Wi-Fi capability. Ships with glycol thermistor sensor and a 1-Point NIST calibration.

- includes: data logger, probe, certificate of calibration, and USB cable (subscription sold separately, contact Dickson for pricing)
- alarm type – text, email, phone call, audio/visual
- local storage of 1 million sample points
- AC powered with rechargeable battery backup (70 hours of backup power)
- two sensor ports
- LCD touchscreen
- VFC/CDC compliant
- dimensions – 8.50" x 1.75" x 7.00" (21.0 x 4.5 x 18.0 cm)
- shipping dimensions – 11.00" x 9.00" x 9.00" (28.0 x 22.9 x 22.9 cm)
- shipping weight – 4 lb (1.8 kg)

Item# 01539691



## Ambient temperature and humidity sensor

Dickson ambient temperature and humidity sensor (right angle) is perfect for monitoring clean rooms and more.

- temperature accuracy +/-0.8 F from 20.0 to 122.0 F 1.8 F (+/-0.4 C from -6.7 to 50.0 C 1.0 C)
- temperature range -40.0 to 185.0 F (-40.0 to 85.0 C)
- humidity accuracy +/-2.0% RH from 5.0 to 95.0% RH
- shipping dimensions – 8.00" x 5.00" x 5.00" (20.3 x 12.7 x 12.7 cm)
- shipping weight – 3 lb (1.4 kg)

Item# 00168674



## Temperature surveillance module

All-in-one temperature surveillance module provides extra security for critical product storage.

- for use with all countertop and undercounter refrigerators and freezers
- audible/visual alarm with user-selectable high and low set points
- compact chart recorder with easy-to read 6.00" (15.24 cm) 7-day chart
- digital product temperature display
- LED power status indicator
- remote contacts for connecting to central alarm system
- 9-volt backup battery
- includes product simulation bottle and box of (60) 7-day charts (-50 to 50)
- 15' (4.6 m) probe wire with immersible stainless tip
- 6' (1.8 m) power cord and AC adapter
- compact 7.50" W x 7.50" D x 3.50" H (19.05 cm x 19.05 cm x 8.89 cm)
- warranty – 12 months after installation
- replacement charts (box of 60, 7-day, -50 to 50) (item# 00162099)
- replacement pens (box of 6, red) (item# 00162081)
- shipping dimensions – 19.00" x 15.00" x 11.00" (48.3 x 38.1 x 27.9 cm)
- shipping weight – 7 lb (3.2 kg)

Item# 01077841



## Replacement NTC probe

The temperature probe monitors the interior temperature conditions of a refrigerator or freezer to ensure proper display and alarming.

- certificate of NIST-traceable calibration
- bottle not included
- shipping dimensions – 10.00" x 8.00" x 6.00" (25.4 x 20.3 x 15.2 cm)
- shipping weight – 1 lb (0.5 kg)

FOLLETT, FOLLETT ADVANTAGE and FOLLETT HEALTHCARE are registered trademarks of Follett Products, LLC, registered in the US. Follett reserves the right to change specifications at any time without obligation. Certifications may vary depending on country of origin.

Compact refrigerator and freezer accessories