



Slope front

ice storage bin

Features

Capacities available from 300 - 1000 lb (137 - 454 kg) and widths from 22.00" - 52.00" (55.9 - 132.1 cm)

Convenient design

- extra large door opening for maximum access
- low sill height allows access to reach bottom of bin
- 22.00" (55.9 cm) and 30.00" (76.2 cm) bins match with compact ice machines to maximize ice production and storage in small space

Durable construction

- full stainless top, front and sides standard
- heavy-duty welded steel shell and frame support
- poly-lined interior to eliminate corrosion
- rigid, insulated stainless steel lift door with non-staining ABS interior
- fully replaceable gasket seals door opening

Easy installation

- comes assembled, simply screw in legs
- all models will fit through 32.00" (81.3 cm) doors (for 23.00" (58.4 cm) doors order model 300-22)

Warranty

- 3 years parts and labor for corrosion repair for useful life of the product
- 2 years parts and labor on all other integral components
- 3rd party ice machines must be installed and operated in accordance with the manufacturer's instructions
- visit follettice.com for complete warranty details

Accessories

SmartCART™ 75 ice cart (item# 00112771)

Ice paddle and hanging bracket (item# ABICEPADDL46)

Stainless steel legs (item# ABSPECLEGS)

Partition (item# ABPARTSF65 for 425-30 and 650-44, item# ABPARTSF95 for 950-48 and 1025-52)

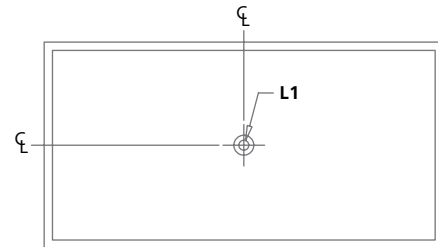
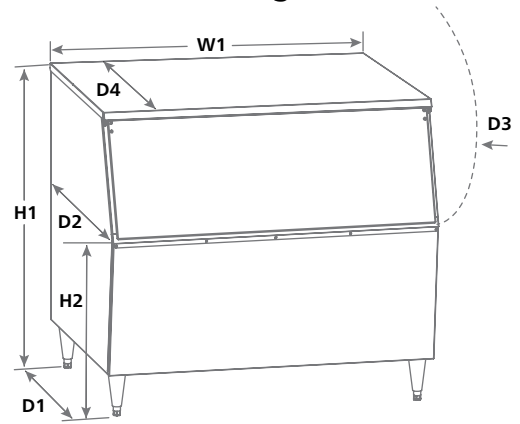
Additional carts and accessories (refer to form# 3435)

Specification

Maximum bin capacity	see model table below
W1 Width	see model table below
D1 Depth at bottom	see model table below
D2 Depth at door	31.50" (80.0 cm)
D3 Depth with door fully extended	41.50" (105.4 cm)
D4 Depth top surface	27.25" (69.22 cm)
H1 Height (adjustable)	see model table below
H2 Bin sill height	see model table below
Required door access	see model table below
L1 Drain ¹	1.00" FPT, center of bin bottom
Ice compatibility	all ice types
Shipping weight	see model table below
NOTE: For indoor use only	

SHORT FORM SPECIFICATION: Ice storage bin to be Follett® model _____. Bin to hold approximately _____ lb (kg) of ice. Construction to be welded steel shell and frame. Exterior finish to be stainless steel front and sides with galvanized steel back and bottom. Bin interior to have non-corroding polyethylene-lined walls and stainless steel bottom. Bin insulation to be CARB compliant non-HFC foam, bonded to shell and polyethylene-lined walls for added structural strength. Bin top to be stainless steel and to be custom-cut for specific ice machine(s) to be used. Lift door to have stainless steel exterior and ABS interior, bonded together with CARB compliant non-HFC foam for extra rigidity and strength. Bin to have conveniently low door sill height to allow easy access to ice in the bottom of the bin. Door opening to be completely sealed with fully replaceable gasketing. Bin to have 6.00" (15.24 cm) legs, adjustable to 6.75" (17.14 cm). Bin drain to be 1.00" FPT rigid PVC. NSF listed.

Dimensional drawing



HORIZON ELITE, MAESTRO PLUS and SMARTCART are trademarks of Follett Products, LLC. FOLLETT is a registered trademark of Follett Products, LLC, registered in the US. Follett reserves the right to change specifications at any time without obligation. Certifications may vary depending on country of origin.

Model	Maximum bin capacity lb (kg)	Cubic volume cu ft (m)	Width - W1 in (cm)	Depth - D1 in (cm)	Height - H1 in (cm)	Door Sill Height - H2 in (cm)	Required door access in (cm)	Approximate ship weight lb (kg)
300-22 ²	300 (136)	9.6 (0.27)	22.00 (55.9)	29.50 (74.9)	40.00 (101.6)	26.00 (66.0)	23.00 (58.4)	120 (54)
425-30	430 (195)	13.8 (0.39)	30.00 (76.2)	29.50 (74.9)	40.00 (101.6)	26.00 (66.0)	31.00 (78.7)	144 (65)
650-44	660 (299)	20.8 (0.59)	44.00 (111.8)	29.50 (74.9)	40.00 (101.6)	26.00 (66.0)	32.00 (81.2)	178 (81)
950-48	950 (431)	30.1 (0.85)	48.00 (121.9)	28.25 (71.8)	50.00 (127.0)	36.00 (91.4)	32.00 (81.2)	207 (94)
1025-52	1030 (467)	32.6 (0.92)	52.00 (132.1)	28.25 (71.8)	50.00 (127.0)	36.00 (91.4)	32.00 (81.2)	217 (98)

Notes:

- ¹ Follett recommends installation of a floor drain with grate with all ice storage bins.
- ² Model 300-22 only for use with Follett, Maestro Plus™ 425 and Horizon Elite™ 710 series ice machines.

Slope front bins

