

Before you begin

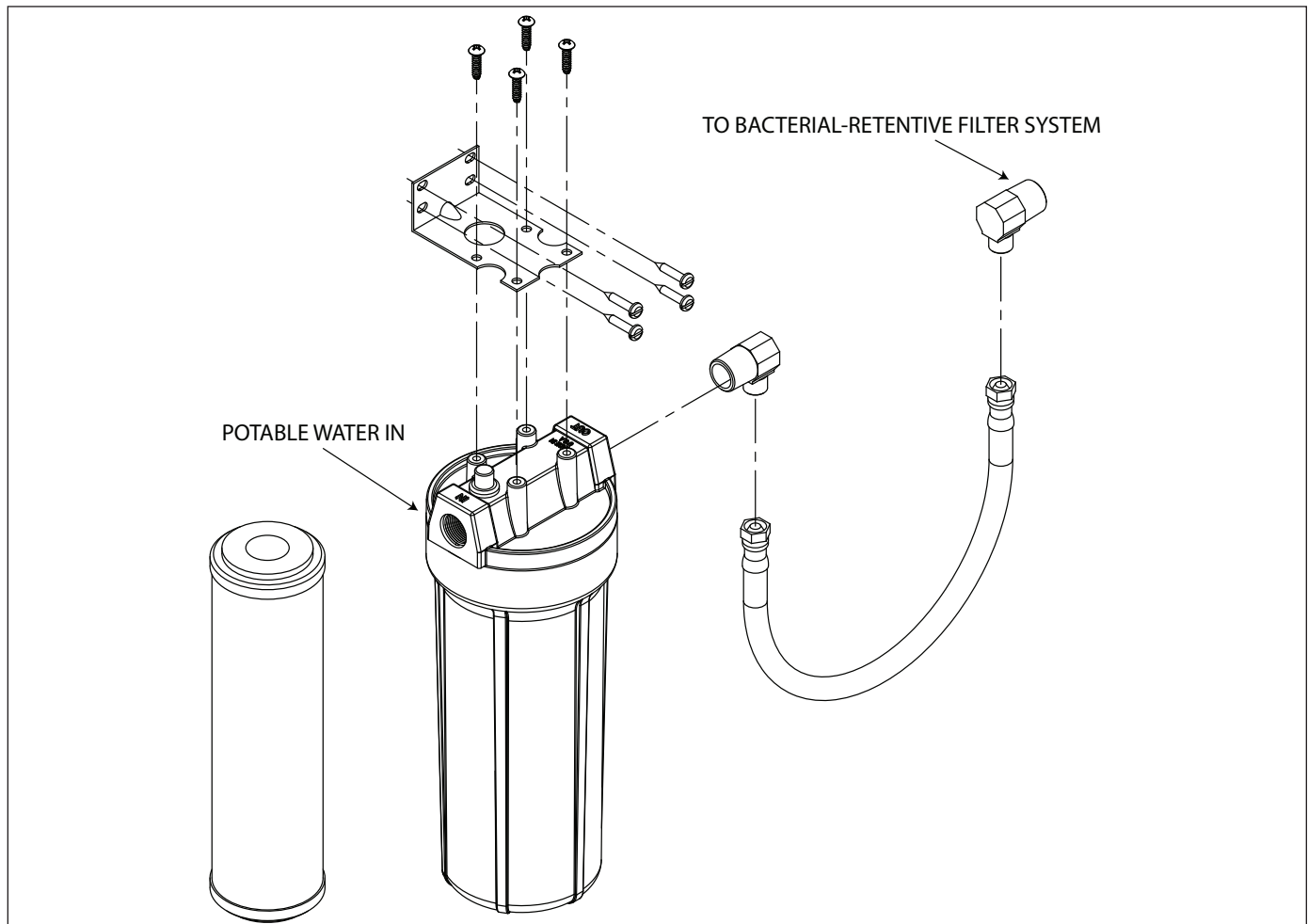
If you experience any problems during the installation, please call Follett Technical Service toll-free at (877) 612-5086 for assistance.

Materials supplied

- Housing, filter, 10" drop-in (P/N 01096429)
- Fitting, 1/2" NPT X 3/8" COMP (2) (P/N 01233667)
- Tube, 20" braided SS water, 3/8 X 3/8 (P/N 01042597)
- Prefilter, Carbon and Scale, 10" Cartridge (P/N 01288059) **OR**
- Prefilter, Scale Inhibitor, 10" Cartridge (P/N 01288067)

Tools/materials required

- Screw driver/cordless drill
- Adjustable wrenches
- Safety glasses and protective gloves
- Mounting hardware (refer to State and local building code)

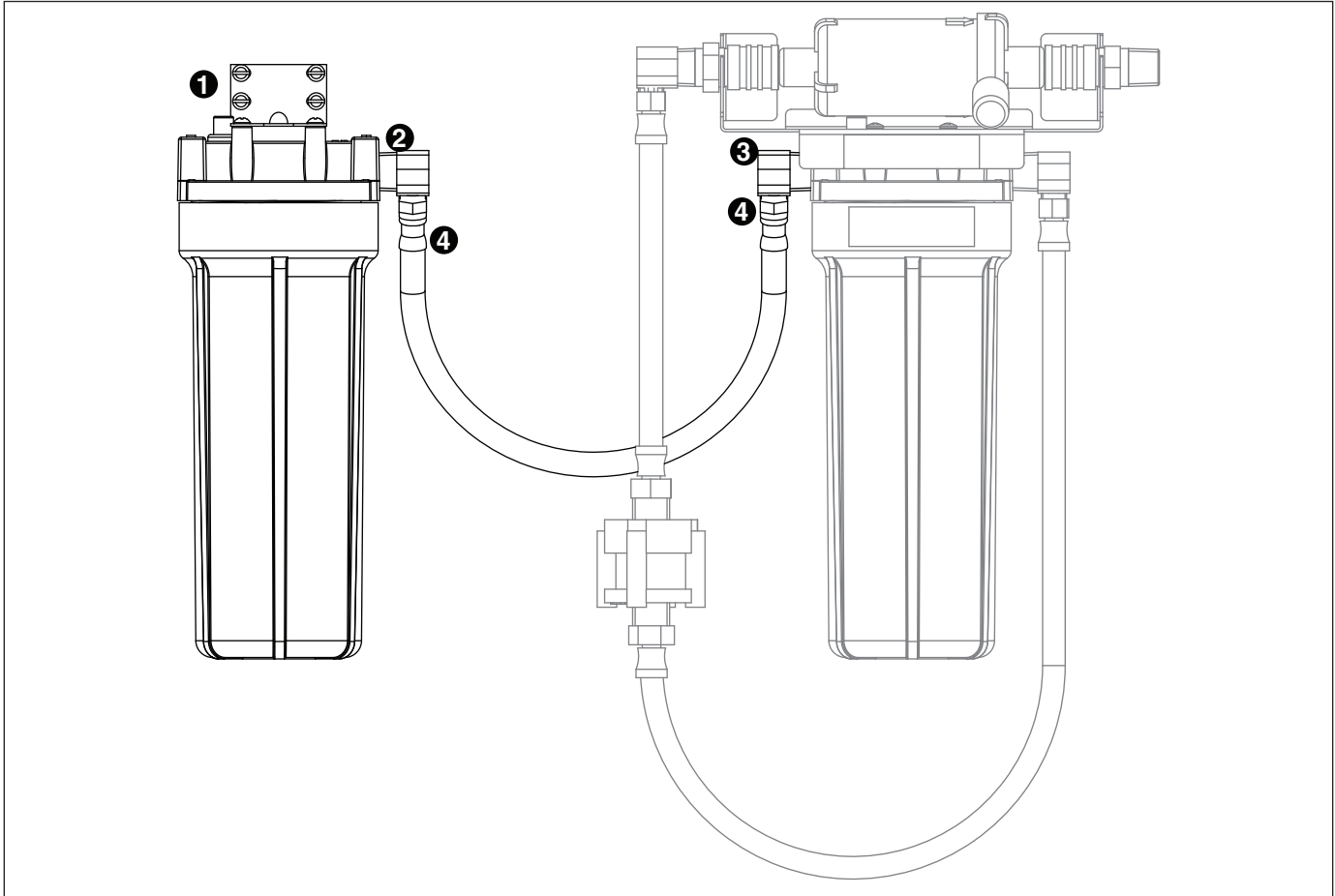


Procedure

Note: Incoming water pressure must be 30–70 psi.

1. Install the filter housing and bracket (**Fig. 1.1**) using the instructions shipped with the unit.
Note: Allow an additional 3" below to allow for easy filter replacement.
2. Insert the prefilter into the bowl and reattach the bowl.
Note: Filter bowl is hand-tightened only.
3. Install one 1/2" NPT X 3/8" compression fitting to the filter housing outlet (**Fig. 1.2**).
4. Install the other 1/2" NPT X 3/8" compression fitting to the potable water inlet of the bacterial-retentive system (**Fig. 1.3**).
5. Attach the braided hose to both compression fittings (**Fig. 1.4**).

Fig. 1



Follett is a registered trademark of Follett LLC, registered in US.

FOLLETT[®]

801 Church Lane • Easton, PA 18040, USA
Toll free (877) 612-5086 • +1 (610) 252-7301
www.follettice.com

01288075R00
© Follett LLC 5/19