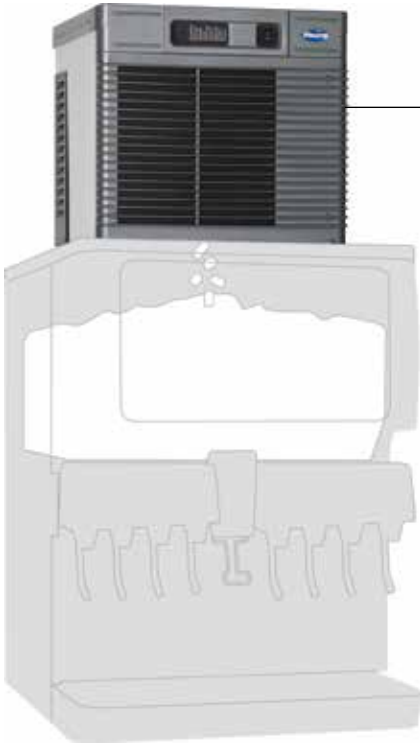


# Maestro Plus™

C/E 425 series ice machine for foodservice applications



Model MCE425AHT on countertop ice and beverage dispenser, supplied by others



## Features

Maestro Plus Chewblet® ice machine with up to 193 kg (425 lb) daily production of Chewblet or flake ice.

### High performance Maestro Plus ice machines

- compact, reliable ice machine for top mount installation
- stainless steel evaporator, auger and top bearing
- oversized, heavy duty, tapered roller bearing ensures long low-maintenance life
- New** - automatic self-flushing of ice machine removes impurities
- no noisy harvest cycles means quiet ice production

### Lower utility bills

- energy-efficient, no costly defrost cycles
- meets 2018 Department of Energy regulations
- 40% less water than comparable capacity cube machines

### Maintenance and service benefits

- New** - cleaning and sanitizing of entire machine takes less than 1 hour
- New** - LED control board provides at-a-glance machine status

### Consumer-preferred Chewblet ice (MCC/MCE models)

- chewable, compressed nugget ice is preferred over cubes<sup>1</sup>
- available with approximately 2.54 cm (1.00") long standard Chewblet ice or optional 0.95 cm (3/8") long Micro Chewblet™ ice
- more reliable dispensing than nugget or pellet ice
- slow melting, maintains drink temperature and quality, comparable to cubes
- higher displacement than cube ice

### Flake ice (MFC/MFE models) is perfect for foodservice and grocery displays

- cradles fish and vegetables without bruising
- securely supports salad bar containers without tipping

### Installation flexibility

- Harmony™ kits allow ice machine to be top mounted on most ice and beverage dispensers
- Harmony kits install without any alteration to dispenser (kit includes stainless steel top)
- compatible with over 20 of Follett's ice storage bins

### Warranty

- 3 years parts and labor, 5 years compressor parts<sup>2</sup>

<sup>1</sup> Consumer study conducted by independent agency Roper ASW.  
<sup>2</sup> Refer to price list for additional warranty information.

Maestro Plus C/E425 series ice machine				
Ice type	For use with <sup>1</sup>	Condenser	Voltage V/Hz	Item number <sup>2</sup>
Chewblet®	ice storage bin	air	220/60	<b>MCC425ABT</b>
		air	230/50	<b>MCE425ABT</b>
		water	220/60	<b>MCC425WBT</b>
		water	230/50	<b>MCE425WBT</b>
	ice and beverage dispenser (by others)	air	220/60	<b>MCC425AHT</b>
		air	230/50	<b>MCE425AHT</b>
Micro Chewblet	ice storage bin	air	220/60	<b>MMC425ABT</b>
		air	230/50	<b>MME425ABT</b>
		water	220/60	<b>MMC425WBT</b>
		water	230/50	<b>MME425WBT</b>
Flake	ice storage bin	air	220/60	<b>MFC425ABT</b>
		air	230/50	<b>MFE425ABT</b>
		water	220/60	<b>MFC425WBT</b>
		water	230/50	<b>MFE425WBT</b>

<sup>1</sup> Ordered separately

<sup>2</sup> Alternate voltage not for use in the United States.

### Job

### Item

Follett Europe Polska Sp. z o.o.  
 Mokry Dwór 26C 83-021 Wiślina, Poland  
 +48 (58) 785-6140 | Fax: +48 (58) 785-6159  
 folletteurope.com

801 Church Lane | Easton, PA 18040, USA  
 1.610.252.7301 | Fax: +1.610.250.0696 | follettice.com



## Accessories

Water filters (refer to form# 9905)

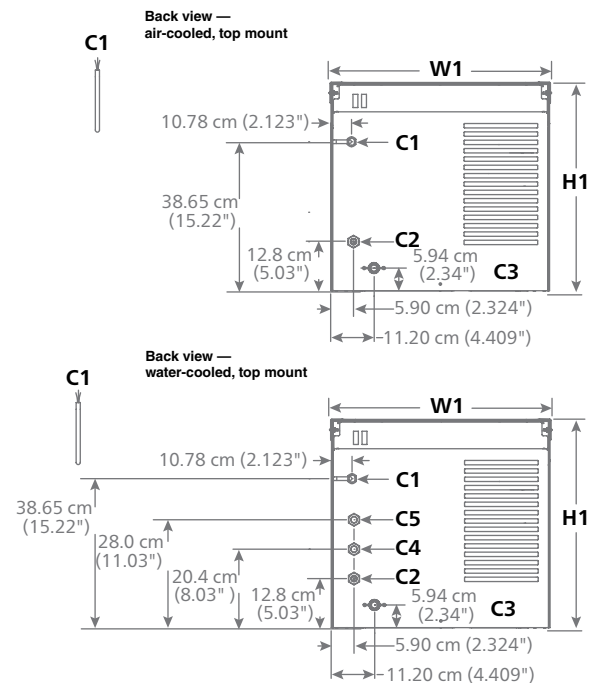
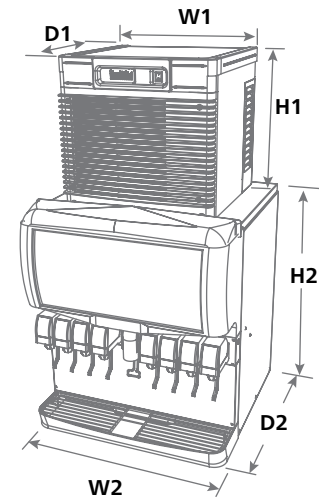
Additional Maestro Plus accessories (refer to price list)

## Specification for ice and beverage dispenser top mount ice machines

<b>W1</b> Width	57.7 cm (22.70") fits on 22.00" wide dispensers
<b>D1</b> Depth	61.6 cm (24.25")
<b>H1</b> Height	54.0 cm (21.25")
Service clearance	30.5 cm (12.00") top - no front obstructions 15.24 cm (6.00") on exhaust side (left, right and rear)
<b>C1</b> 220 V/60/1 ("C" models) / 230 V/50/1 ("E" models) electrical	5.5 amps, 0.8 kW 2.4 m (8') cord only
<b>C2</b> Water inlet	3/8" FPT, installation of an in line water filtration system is recommended
<b>C3</b> Drain	3/4" MPT water-cooled models require separate condenser drains
Water-cooled ice machine connections	<b>C4</b> – 3/8" FPT condenser inlet, <b>C5</b> – 3/8" FPT condenser drain
Refrigerant	R404a
Air temperature	10 - 38 C (50 -100 F)
Water temperature	7 - 32 C (45 - 90 F)
Potable water pressure	69 - 483 kPa (10 - 70 psi)
Condenser water pressure	69 - 861 kPa (10 - 125 psi)
Ice production at 21 C (70 F) air, 10 C (50 F) water	air-cooled models – 193 kg (425 lb) water-cooled models – 201 kg (442 lb)
Ice production at 32 C (90 F) air, 21 C (70 F) water	air-cooled models – 150 kg (330 lb) water-cooled models – 167 kg (368 lb)
Energy consumption 32 C (90 F) air; 21 C (70 F) water	air-cooled models – 5.4 kWh water-cooled models – 5.0 kWh per 45.4 kg (100 lb) ice
Heat rejection	air-cooled models – 5,000 BTU/hr, water-cooled models – 1400 BTU/hr to air, 3600 BTU/hr to water
Water consumption	45.4 L (12.0 gal) of potable water per 45.4 kg (100 lb) of ice (per AHRI test standards). 47.3 L (12.5 gal) at standard flush setting.
Water flow requirement for water-cooled condensers	0.25 gpm at 10 C (50 F) 0.5 gpm at 21 C (70 F) 1.25 gpm at 32 C (90 F)
Approximate ship weight	73 kg (160 lb)
NOTE: For indoor use only	

SHORT FORM SPECIFICATION: Ice machine to be Follett model number \_\_\_\_\_  
Ice machine to be \_\_\_\_\_air- or \_\_\_\_\_water-cooled. Ice machine production to  
be approximately 193 kg (425 lb) per day of Chewblet ice at air temperature of  
21 C (70 F), water temperature of 10 C (50 F). Ice machine to use environmentally  
responsible R404a refrigerant. Ice machine to have stainless steel evaporator, auger  
and top bearings, heavy-duty tapered roller bearing, and low-water safety circuit.  
230 V models CE and EU food contact compliant.

## Dimensional drawing



Manufacturer/ Model number	W2 = Width cm (in)	D2 = Depth cm (in)	H2 <sup>1</sup> = Height cm (in)	Harmony top kit
<b>Coca-Cola dispensers</b>				
Freestyle 7000 <sup>2,3</sup>	76.5 (30.10)	84.1 (33.11)	119.4 (47.00)	MTF30SCP
Freestyle 9000 <sup>2</sup>	64.8 (25.50)	90.2 (35.50)	187.3 (73.75)	MTF24SCP
<b>Cornelius dispensers</b>				
DB/DF/ED150 series	55.9 (22.00)	76.2 (30.0)	87.3 (34.38)	MTC22SCP
DB/DF/ED175 series	62.2 (24.50)	76.2 (30.0)	87.3 (34.38)	MTC24SCP
DB/DF/ED200 series	76.2 (30.00)	76.2 (30.0)	87.3 (34.38)	MTC30SCP
DB/DF/ED250 series	76.2 (30.00)	76.2 (30.0)	97.5 (38.38)	MTC30SCP
<b>Lancer dispensers</b>				
4500-22N, FS-22N	55.9 (22.00)	77.5 (30.50)	92.7 (36.50)	MTL22SCP
4500-30N	76.2 (30.00)	77.5 (30.50)	92.7 (36.50)	MTL30SCP
FS-30N	76.2 (30.00)	77.5 (30.50)	107.0 (42.13)	MTL30SCP
Lancer Sensation	76.2 (30.00)	78.7 (31.00)	97.2 (38.25)	MTL30SCP
Lancer Touchpoint	82.6 (32.50)	85.6 (33.70)	101.6 (40.00)	MTL30SCP
<b>Pepsi dispensers</b>				
Spire 3.0	68.6 (27.00)	88.9 (35.00)	96.8 (38.12)	MTP24SCP
Spire 5.0	77.5 (30.50)	91.4 (36.00)	108.6 (42.75)	MTP30SCP

<sup>1</sup> Net height after installation of top kit.

<sup>2</sup> Consult with Coca-Cola and Follett to qualify application prior to ordering.

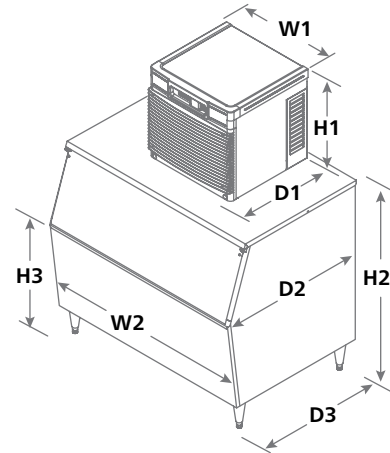
<sup>3</sup> Top adapter 46412 and ice kit 46430 must also be ordered from Coca-Cola.

## Specification for bin top mount ice machines

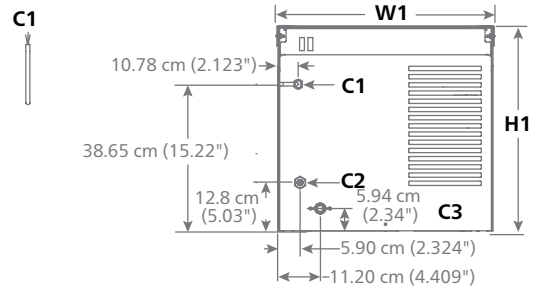
<b>W1</b> Width	57.6 cm (22.70") fits on 22.00" wide dispensers or bins
<b>D1</b> Depth, ice machine	61.6 cm (24.25")
<b>D2</b> Depth, bin door	80.0 cm (31.50")
<b>H1</b> Height	54.0 cm (21.25")
Service clearance	30.5 cm (12.00") top - no front obstructions 15.24 cm (6.00") on exhaust side (left, right and rear)
<b>C1</b> 220 V/60/1 ("C" models) / 230 V/50/1 ("E" models) electrical	5.5 amps, 0.8 kW 2.4 m (8') cord only
<b>C2</b> Water inlet	3/8" FPT, installation of an in line water filtration system is recommended
<b>C3</b> Drain <sup>1</sup>	3/4" MPT water-cooled models require separate condenser drains
Water-cooled ice machine connections	<b>C4</b> – 3/8" FPT condenser inlet, <b>C5</b> – 3/8" FPT condenser drain
Air temperature	10 - 38 C (50 - 100 F)
Water temperature	7 - 32 C (45 - 90 F)
Potable water pressure	69 - 483 kPa (10 - 70 psi)
Condenser water pressure	69 - 861 kPa (10 - 125 psi)
Chewblet ice production at 21 C (70 F) air, 10 C (50 F) water	air-cooled models – 193 kg (425 lb) water-cooled models – 201 kg (442 lb)
Chewbler ice production at 32 C (90 F) air 21 C (70 F) water	air-cooled models – 150 kg (330 lb) water-cooled models – 167 kg (368 lb)
Flake ice production at 32 C (90 F) air, 21 C (70 F) water	water-cooled models – 234 kg (515 lb)
Chewblet energy consumption 32 C (90 F) air; 21 C (70 F) water	air-cooled models – 5.4 kWh water-cooled models – 5.0 kWh per 45.4 kg (100 lb) ice
Flake energy consumption 32 C (90 F) air; 21 C (70 F) water	water-cooled models – 6.2 kWh per 100 lb (45 kg) ice
Heat rejection	air-cooled models – 5,000 BTU/hr, water-cooled models – 1400 BTU/hr to air, 3600 BTU/hr to water
Water consumption	45.4 L (12.0 gal) of potable water per 45.4 kg (100 lb) of ice (per AHRI test standards). 47.3 L (12.5 gal) at standard flush setting.
Water flow requirement for water-cooled condensers	0.25 gpm at 10 C (50 F) 0.5 gpm at 21 C (70 F) 1.25 gpm at 32 C (90 F)
Approximate ship weight	73 kg (160 lb)
NOTE: For indoor use only	

SHORT FORM SPECIFICATION: Ice machine to be Follett model number \_\_\_\_\_. Ice machine to be \_\_\_\_\_air- or \_\_\_\_\_water-cooled. Ice machine production to be approximately 193 kg (425 lb) per day of \_\_\_\_\_Chewblet ice or \_\_\_\_\_flake ice. Ice machine to use environmentally responsible R404a refrigerant. Ice machine to have stainless steel evaporator, auger and top bearings, heavy-duty tapered roller bearings, and low water safety circuit. NSF listed. 230 V models CE and EU food contact compliant.

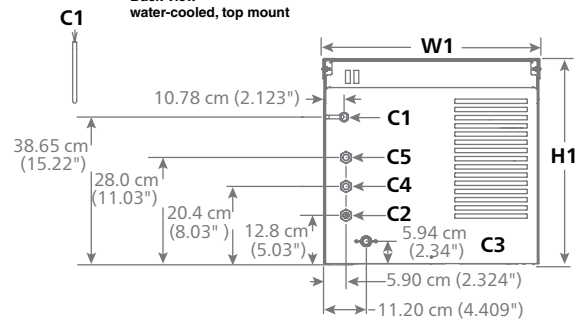
## Dimensional drawing



Back view — air-cooled, top mount



Back view — water-cooled, top mount



## Configure your ice machine with the following bin models

Slope front bin model	Maximum bin capacity kg (lb)	Cubic Volume m (cu ft)	Width - W2 cm (in)	Depth - D3 cm (in)	Height - H2 cm (in)	Door Sill Height - H3 cm (in)	Required door access cm (in)	Approximate ship weight kg (lb)
300-22 <sup>2</sup>	136 (300)	0.27 (9.6)	55.9 (22.00)	74.9 (29.50)	101.6 (40.00)	66.0 (26.00)	58.4 (23.00)	58 (128)
425-30	195 (430)	0.39 (13.8)	76.2 (30.00)	74.9 (29.50)	101.6 (40.00)	66.0 (26.00)	78.7 (31.00)	65 (144)
650-44	299 (660)	0.59 (20.8)	111.8 (44.00)	74.9 (29.50)	101.6 (40.00)	66.0 (26.00)	81.3 (32.00)	81 (178)
950-48	431 (950)	0.85 (30.1)	121.9 (48.00)	71.8 (28.25)	127.0 (50.00)	91.4 (36.00)	81.3 (32.00)	94 (207)
1025-52	468 (1030)	0.92 (32.6)	132.1 (52.00)	71.8 (28.25)	127.0 (50.00)	91.4 (36.00)	81.3 (32.00)	98 (217)

<sup>1</sup> Follett recommends installation of floor drain with grate with all ice storage bins.

<sup>2</sup> Model 300-22 only for use with Follett Maestro Plus C/E425 (air-cooled) ice machines.

## Ice production – air-cooled

Inlet water temperature C (F)	Ambient air temperature C (F)					kg (lb) production in 24 hr
	16 (60)	21 (70)	27 (80)	32 (90)	38 (100)	
10 (50)	206 (454)	193 (426)	181 (398)	165 (363)	149 (328)	
16 (60)	198 (437)	185 (408)	172 (379)	157 (346)	143 (314)	
21 (70)	191 (420)	177 (390)	163 (359)	150 (330)	136 (300)	
27 (80)	182 (401)	170 (374)	158 (348)	145 (319)	132 (290)	
32 (90)	173 (381)	163 (359)	153 (337)	140 (308)	127 (280)	

## Ice production – water-cooled

Inlet water temperature C (F)	Condenser water temperature C (F)					kg (lb) production in 24 hr
	16 (60)	21 (70)	27 (80)	32 (90)	38 (100)	
10 (50)	206 (454)	201 (442)	196 (431)	190 (419)	185 (408)	
16 (60)	197 (435)	191 (421)	185 (407)	179 (394)	173 (380)	
21 (70)	189 (416)	182 (400)	174 (384)	167 (368)	159 (351)	
27 (80)	180 (396)	173 (381)	166 (365)	159 (350)	152 (335)	
32 (90)	170 (375)	164 (361)	157 (346)	151 (332)	144 (318)	

Harmony, Horizon, Maestro Plus, and Micro Chewblet are trademarks of Follett LLC.  
 Chewblet and Follett are registered trademarks of Follett LLC, registered in the US.  
 Follett reserves the right to change specifications at any time without obligation. Certifications may vary depending on country of origin.

Maestro Plus C/E425 top mount foodservice

Form #6955 05/18  
 © Follett LLC



Follett Europe Polska Sp. z o.o.  
 Mokry Dwór 26C 83-021 Wiślina, Poland  
 +48 (58) 785-6140 | Fax: +48 (58) 785-6159  
 folletteurope.com

801 Church Lane | Easton, PA 18040, USA  
 1.610.252.7301 | Fax: +1.610.250.0696 | follettice.com

