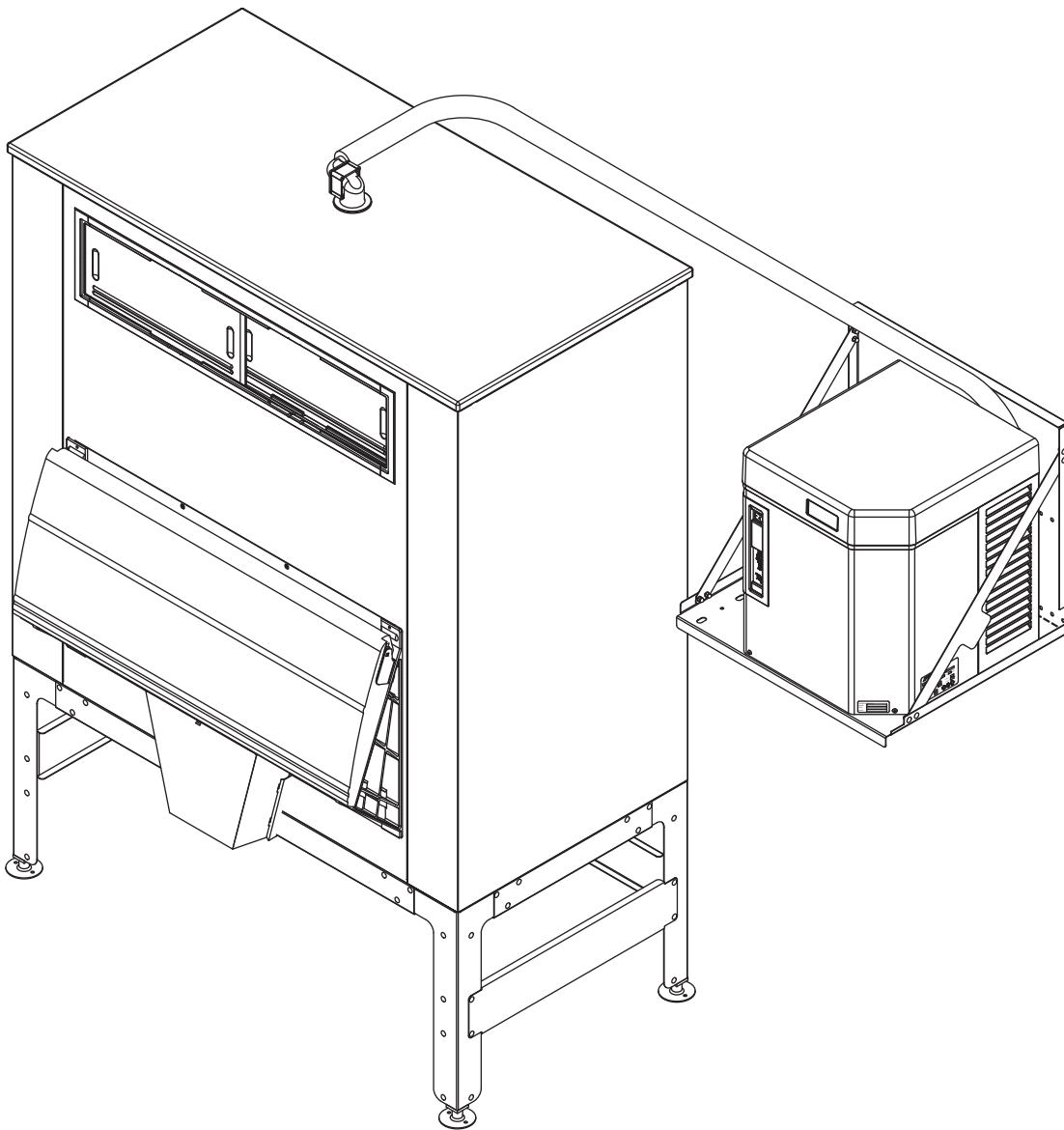
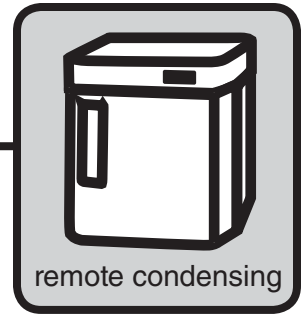


Horizon™ Ice Machine Models with RIDE™ Technology Installation Instructions for Ice Storage Bins

HCD/HMD/HCF/HMF1000RBS, HCD/HMD/HCF/HMF1400RBS, HCD/HMD/HCF/HMF1650RBS
HCD/HMD1000NBS, HCD/HMD1400NBS, HCD/HMD1650NBS
(See model number configurator on page 2 for details.)

Order parts online
www.follettice.com




Chewblet® Ice Machine Model Number Configurations

HC
C
1400
A
V
S


Icemaker	Voltage	Series	Condenser	Application	Configuration
MC Maestro™ Chewblet® (400 Series)	C 208-230/60/1 (icemaking head) <i>Self-contained only.</i>	400 up to 454 lbs (206kg)	A Air-cooled, self-contained W Water-cooled, self-contained	V Vision™ H Harmony™	S RIDE™ <i>(RIDE remote ice delivery equipment)</i>
HC Horizon Chewblet (1000, 1400, 1650 Series)	D 115/60/1 (icemaking head) <i>Self-contained and remote. If remote unit, high side is 208-230/60/1.</i>	1000 up to 1036 lbs (471kg)	R Air-cooled, remote condensing unit N Air-cooled, no condensing unit for connection to parallel rack system	B Ice storage bin J Drop-in M Ice Manager diverter valve system	T Top-mount
HM Horizon Micro Chewblet	E 230/50/1 (icemaking head) <i>Self-contained only.</i> F 115/60/1 (icemaking head) <i>Remote only. High side is 208-230/60/3.</i>	1400 up to 1450 lbs (658kg) 1650 up to 1580 lbs (717kg)			

Read and complete the following 8 installation steps

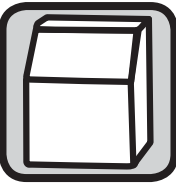
1 **Unpack** _____




2 **Site preparation** _____




3 **Bin preparation** _____




4 **Louvered docking assembly** _____



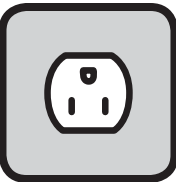
5 **Ice transport tube** _____




6 **External connection** _____



7 **Internal connection** _____



8 **Front cover** _____



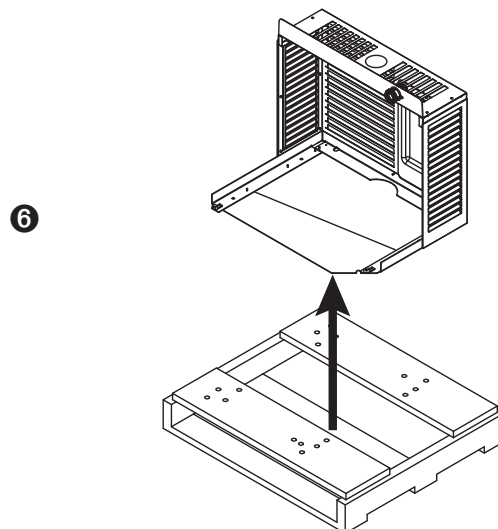
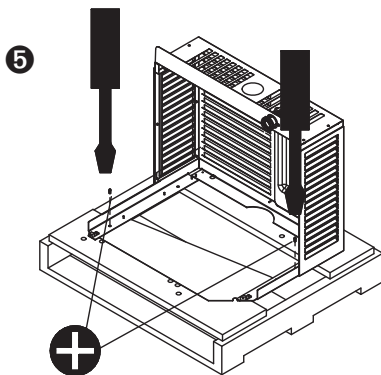
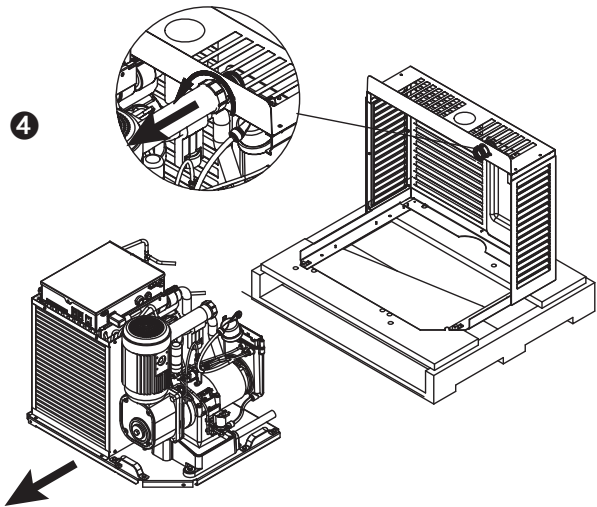
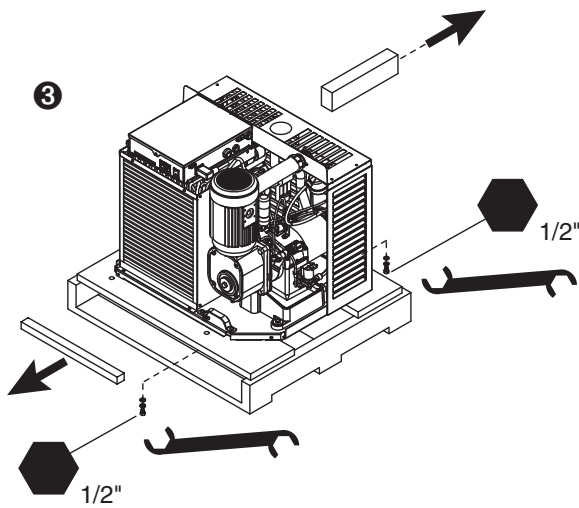
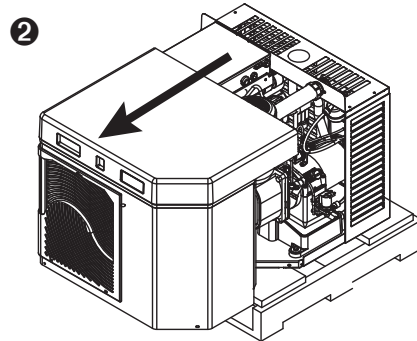
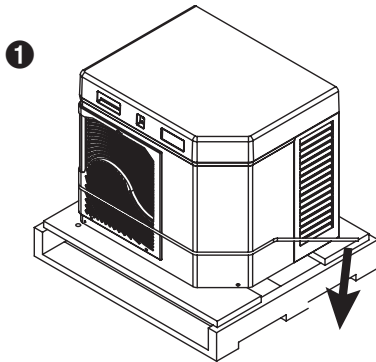
Carefully unpack and inspect the contents of your Follett ice machine.

Unpack

1

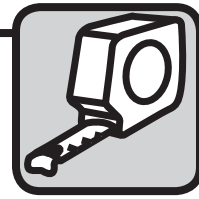


1.1 Unpack carton #1

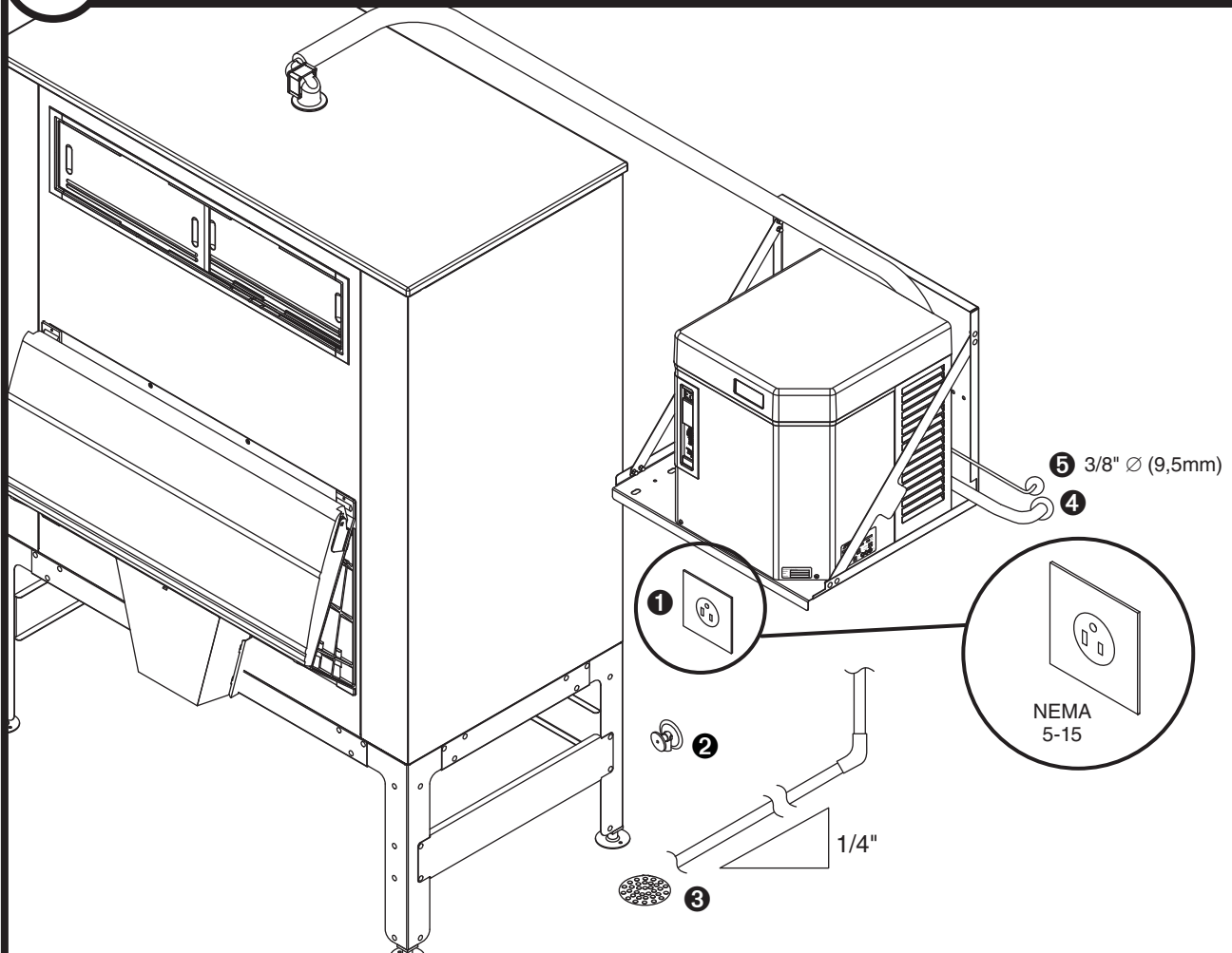


Prepare the installation site.

Provide drainage, water supply and electrical power to within 6 feet (2m) of ice machine in accordance with local and national codes. Outdoor installation of low side is not recommended and will void warranty.



2.1 Installation site requirements



Electrical ①

- 120/60/1-6 amps

Potable water supply ②

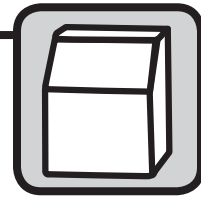
- 10-70 psi (69-483kpa)
- 45-90 F (7-32 C)
- Follett recommends the use of an in-line water filtration system (item# 00130286)

Drain ③

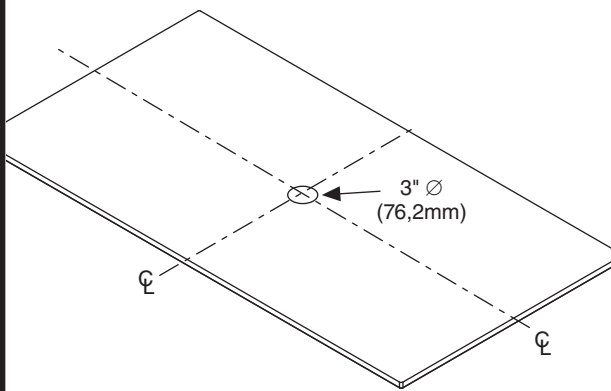
- The drain line from the ice machine must have at least 1/4" per foot pitch (6,4mm/0,3m)

Refrigeration lines ④

- 1000, 1400: 5/8" (15,8mm) diameter suction (insulated) ④
- 1650: 7/8" (22,2mm) diameter suction (insulated) ④
- 3/8" (9,5mm) liquid ⑤

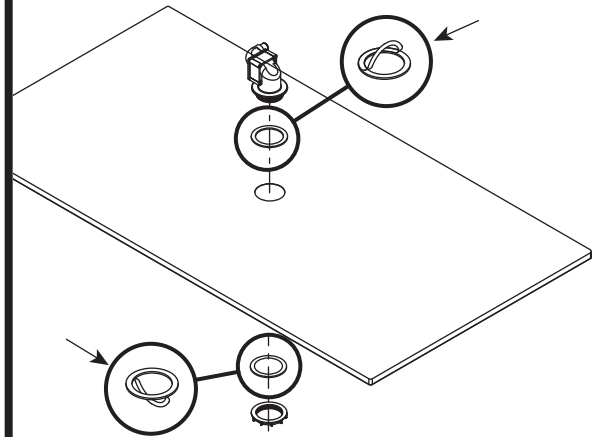


3.1 Bin top preparation



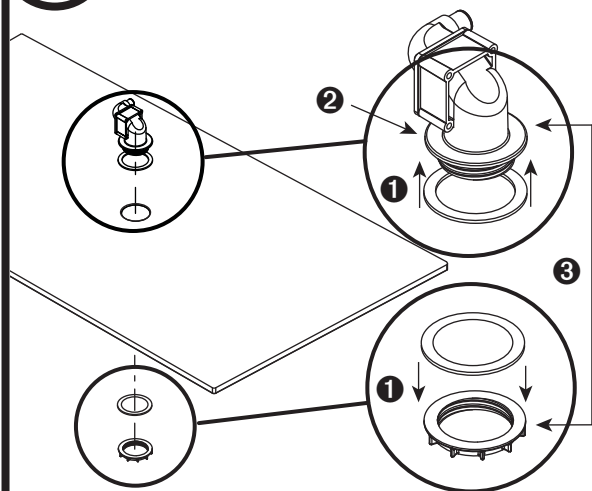
- Locate center of bin top
- Cut 3" (77,2mm) diameter hole in bin top

3.2 Bin top preparation



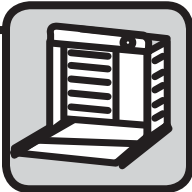
- Remove protective tape from gaskets

3.3 Bin top preparation

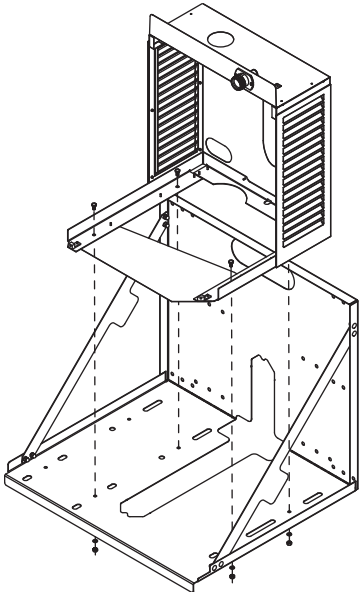


- Apply gaskets 1
- Install shuttle actuator 2 through top of bin and secure with locking nut 3

Install the louvered docking assembly.

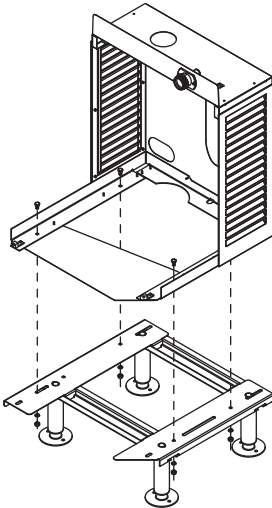


Wall bracket accessory



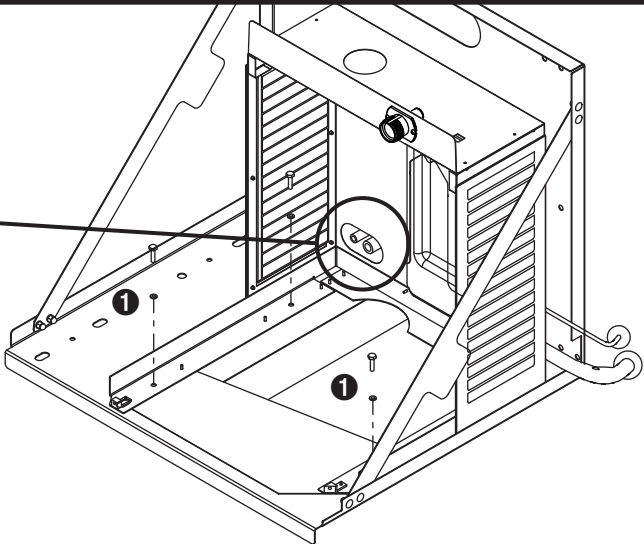
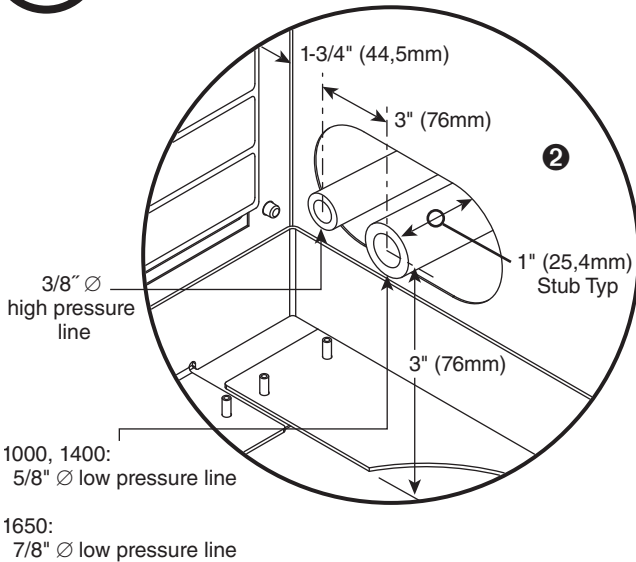
- Mount louvered docking assembly to wall bracket accessory

Machine stand accessory



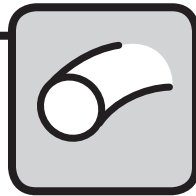
- Mount louvered docking assembly to machine stand accessory

4.1 Louvered docking assembly

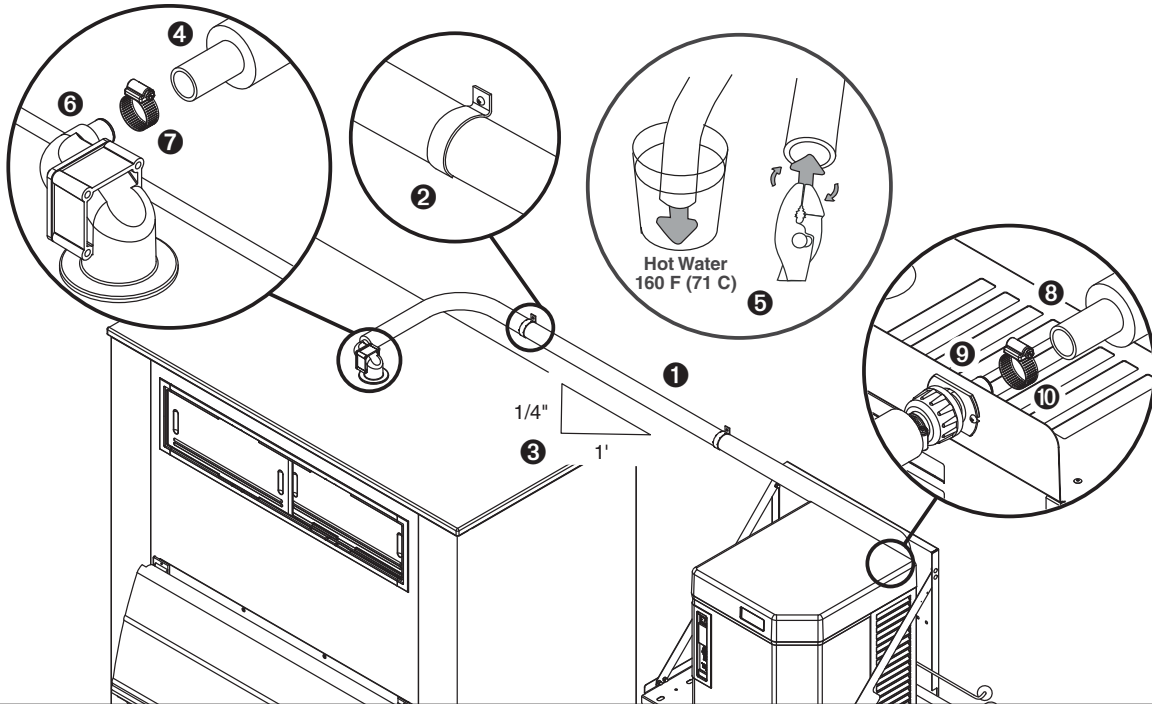


- Mount louvered docking assembly ①
- "Rough-in" the refrigerant piping ②

Install the ice transport tube.



5.1 Ice transport tube installation



Ice transport tube tips

- Insulate entire length of ice transport tube ①
- Secure ice transport tube ② as needed to prevent dips and traps from forming. For long tube runs see guide on page 13.
- Pitch ice transport tube at least 1/4" per foot (6,4mm/.3m) ③
- Ice transport tube must drain towards ice machine

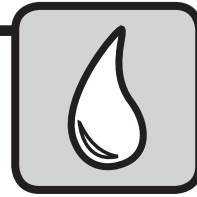
Ice transport tube to bin

- Be sure tube ends are square ④
- Heat end of transport tube in cup of 160 F (71 C) hot water to soften and spread with pliers ⑤ before making connection to ease assembly
- Push ice transport tube onto ice machine nipple ⑥
- Install hose clamp ⑦

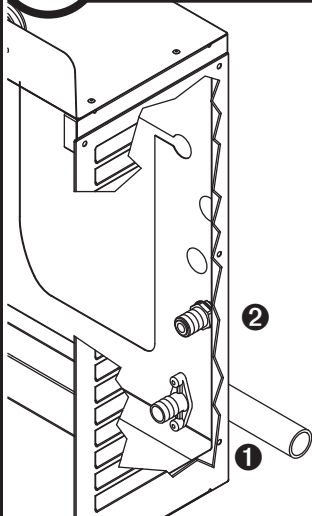
Ice transport tube to Ice machine

- Be sure tube ends are square ⑧
- Heat end of transport tube in cup of 160 F (71 C) hot water to soften and spread with pliers ⑤ before making connection to ease assembly
- Push ice transport tube onto ice machine nipple ⑨
- Install hose clamp ⑩

Connect utilities to louvered docking assembly.

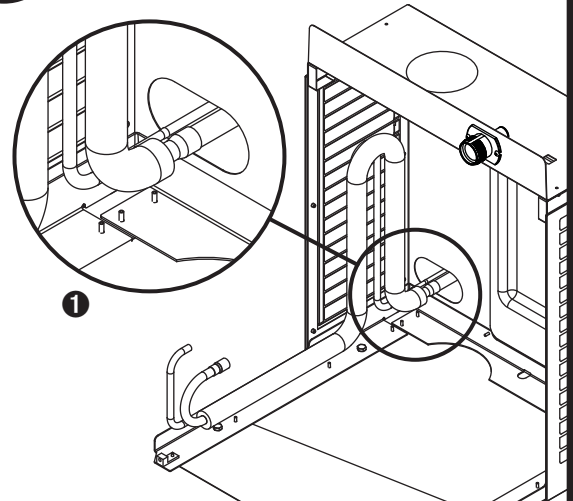


6.1 Water and drain



- Remove access panel if necessary.
- Install drain line ①.
The rigid drain line from the ice machine must have at least 1/4" per foot pitch (6,4mm/0,3m).
- Install ice machine potable water supply ②
- Replace access panel

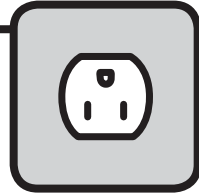
6.2 Refrigerant



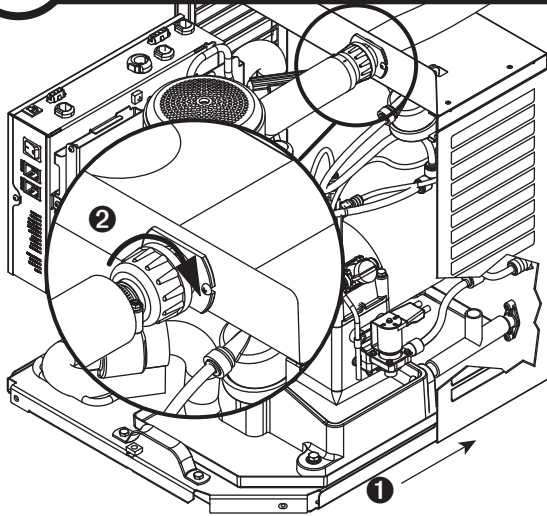
- Braze supplied expandable refrigerant lines in place ①

Connect louvered docking assembly to ice machine.

Internal connections **7**

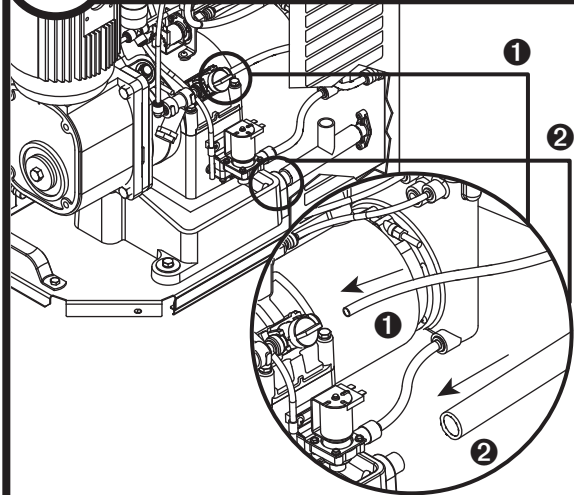


7.1 Ice transport tube installation



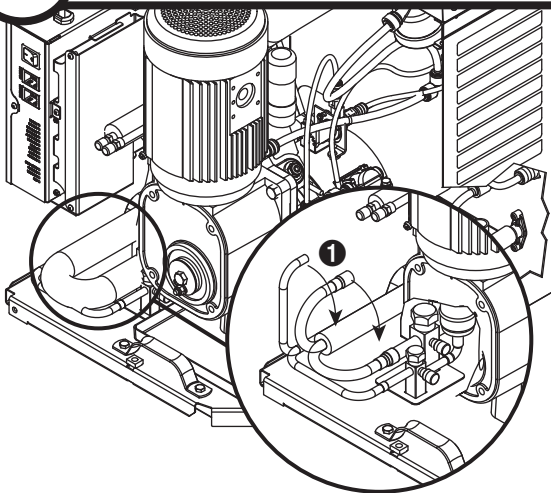
- Slide ice machine into louvered docking assembly **1**
- Insert ice transport tube all the way into coupling and tighten nut firmly **2**

7.2 Water and drain lines



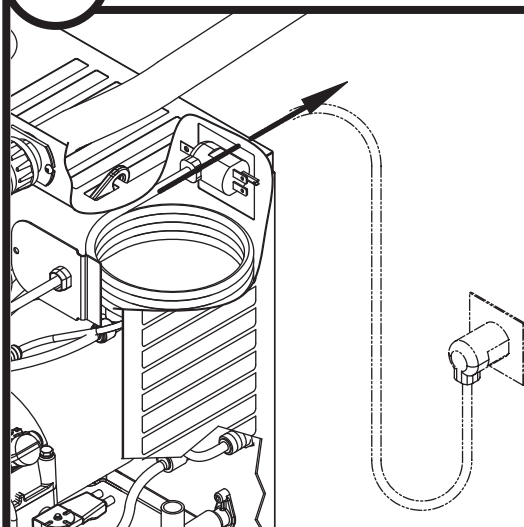
- Insert potable water line into valve **1**
- Push drain line over hose barb on back of evaporator mount **2**

7.3 Refrigeration lines



- Rotate and braze refrigerant lines **1**

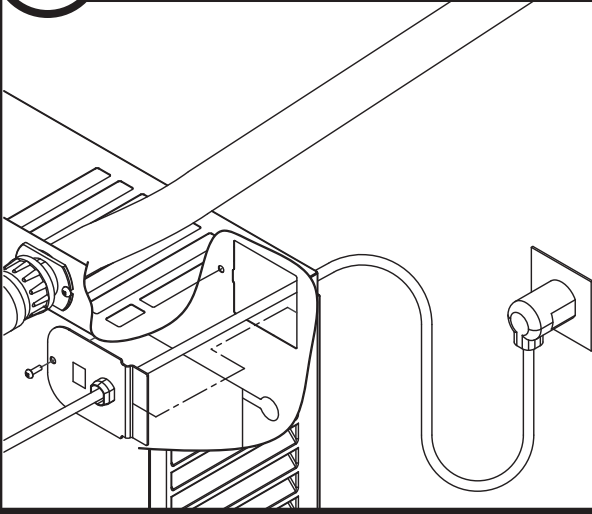
7.4 Power cord



- Remove twist tie
- Carefully pass plug thru opening and plug into wall outlet

7.5

Power cord



- Position plate into opening and secure with supplied screw

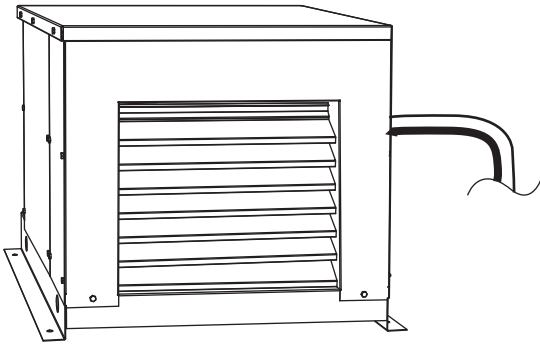
Install front cover to ice machine.

Front cover

8

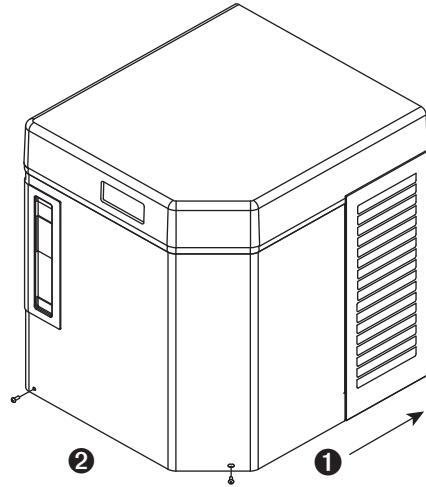


8.1 Install condensing unit



- Complete installation of condensing unit or connection to rack system

8.2 Install ice machine front cover



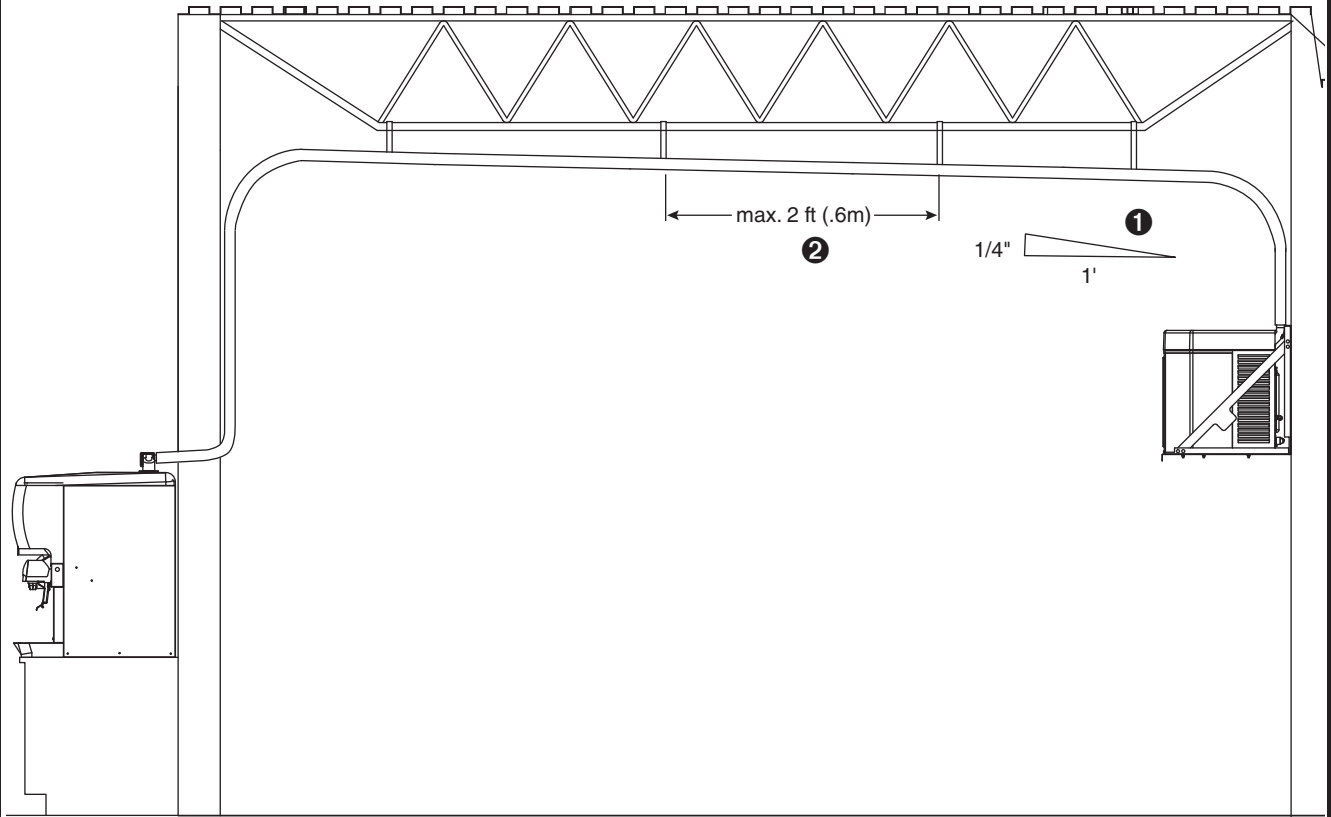
- Slide ice machine cover over machine ensuring that tabs on back of cover slip under louvers on back of louvered docking assembly ①
- Insert and tighten two screws through cover and into louvered docking assembly ②

NOTICE

Ice machine MUST be sanitized prior to operation!

Consult Operation and Service Manual provided with ice machine for sanitizing instructions.

Long tube run recommendations



- Pitch ice transport tube to allow melt water to drain towards ice machine ①
- Secure insulated ice transport tube at least every 2 ft (.6m) to prevent dips or traps ②

Horizon, Maestro, Harmony, Ice Manager, SafeCLEAN, Sani-Sponge, RIDE and Vision are trademarks of Follett Corporation.
Chewblet is a registered trademark of Follett Corporation, registered in the US.



801 Church Lane • Easton, PA 18040, USA
Toll free (877) 612-5086 • +1 (610) 252-7301
www.follettice.com



00159947R07
3/12