

Review operation procedures with appropriate operations person.

Give manual to appropriate operations person.

Cleaning and sanitizing

Solution A – Cleaning solution:

Combine 1 oz (30ml) bleach with 2 gal (8L) hot water or use an equivalent sanitizer and mix for 200 ppm.

Solution B – Sanitizing solution:

Combine 1/4 oz (7ml) bleach with 2 gal (8L) hot water or use an equivalent sanitizer and mix for 50 ppm.

Cleaning brush

A cleaning brush is included with the Ice Pro – it should be mounted for easy access on either side of the bin in the bracket provided.

Exterior care

The stainless steel exterior of the bin can be cleaned with a stainless cleaner such as 3M Stainless Steel Cleaner & Polish or equivalent.

Interior care

The polyethylene liner should be cleaned and sanitized periodically with cleaning solution prescribed below.

Recommended semi-annual cleaning (every 6 months)

1. Disconnect power from ice machine and dispenser.
2. Remove all ice from storage area.
3. Remove ice storage window (Fig. 14.1).
4. Remove control panel cover by lifting and detaching latch and loop tape (Fig. 14.2).
5. Remove transfer case with two latches (Fig. 15.1).
6. Remove ice deflection plate by lifting up (Fig. 15.2).
7. Remove auger by lifting up (Fig. 15.3).
8. Remove auger tube by lifting up. Note position of locating slot on lower end for reinstallation (Fig. 15.4).
9. Remove blower duct by loosening thumb screw, rotating clip and lifting up (Fig. 15.5).
10. Remove ice chute assembly (Fig. 15.6).
11. Remove drip tray from bag stand (Fig. 15.7).
12. Clean all components and bin storage surfaces with supplied brush and Solution A. Rinse thoroughly with clean water. Sanitize all components and bin storage surfaces with Solution B.
13. Pour a solution of one cup (8oz/237ml) household bleach mixed with one gallon (3.8L) hot water into drain to help prevent algae growth in drain lines.

Fig. 14

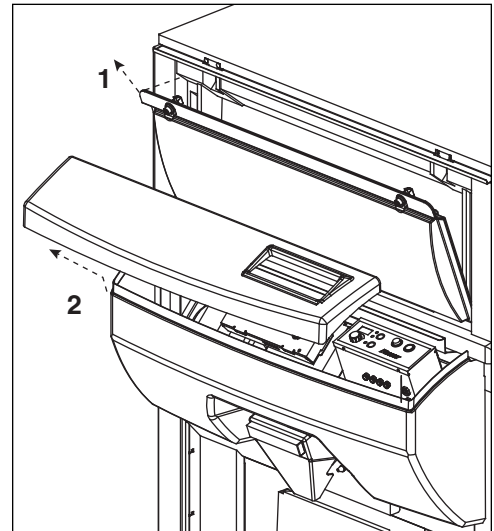


Fig. 15

