

Horizon 1010/1410 Ice Manager Retrofit Kit

Installation Instructions

Description

Convert a standard Horizon 1010/1410 to operate with Ice manager Diverter Valve (IMDV).

Materials Supplied

- (1) Cartridge, shuttle, Dual Spring
- (1) Communication cable

Installation

If you experience any problems during the installation process, please call Follett Technical Service toll-free at (877) 612-5086 or +1 (610) 252-7301 for assistance.

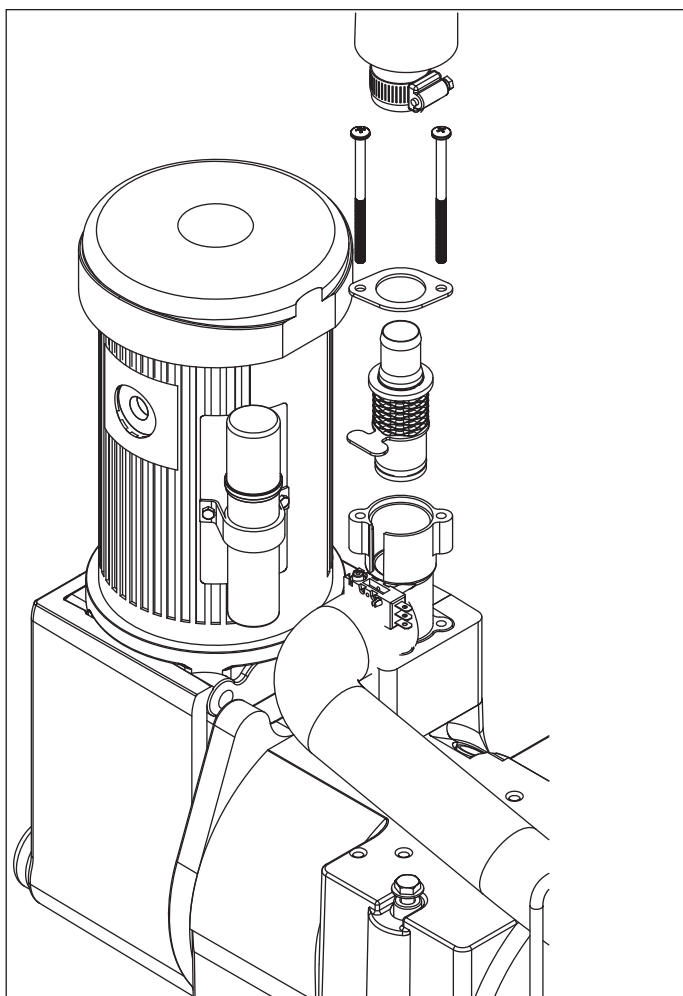


WARNING!

Disconnect power before servicing equipment.

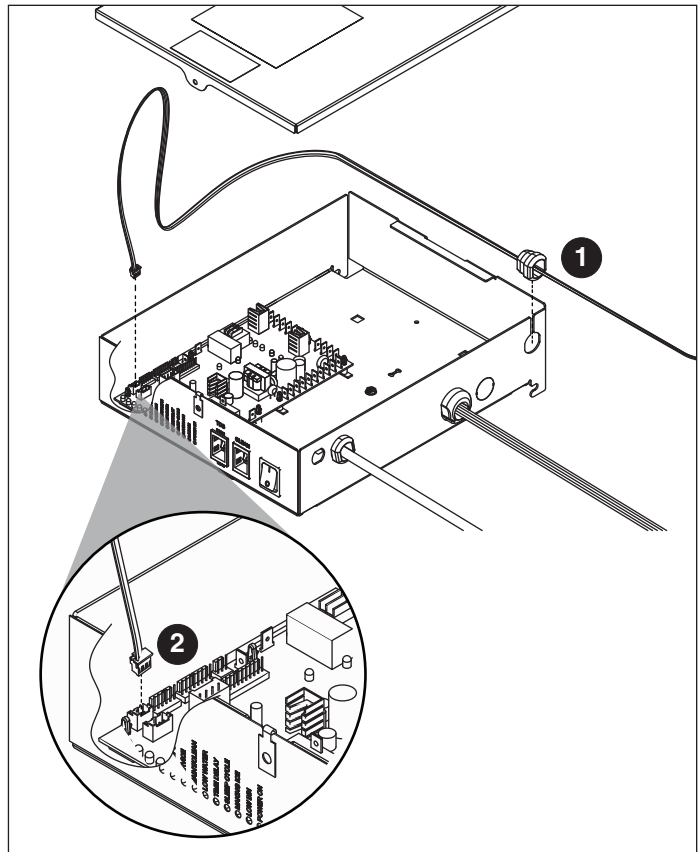
1. Replace existing single spring shuttle cartridge with supplied dual spring shuttle cartridge. Lubricate o-ring with petrogel before installing.

Fig. 1



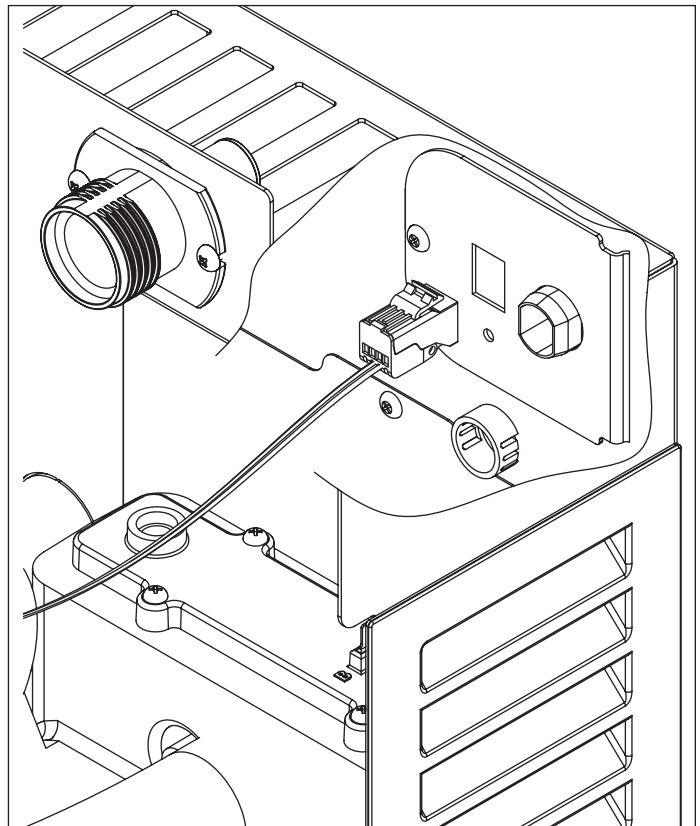
2. Install the communication cable through the rear low-voltage strain relief (**Fig. 2.1**). Connect male RS485 connector to P8 on control board (**Fig. 2.2**).

Fig. 2



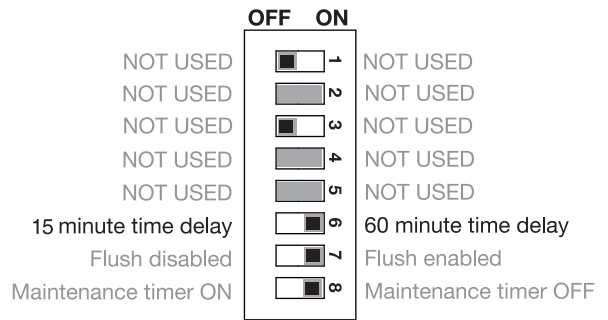
3. Connect female RJ45 to power cable plate.

Fig. 3



4. Set dip switch #6 on control board to OFF position. (15 minute time delay) – Drawing from O/S manual
5. Continue with IMDV installation following instructions (01113349) packed with IMDV

Fig. 4



Horizon is a trademark of Follett Corporation.
Follett is a registered trademark of Follett Corporation, registered in US.



801 Church Lane • Easton, PA 18040, USA
Toll free (877) 612-5086 • +1 (610) 252-7301
www.follettice.com

01122845R00
© Follett Corporation 4/16