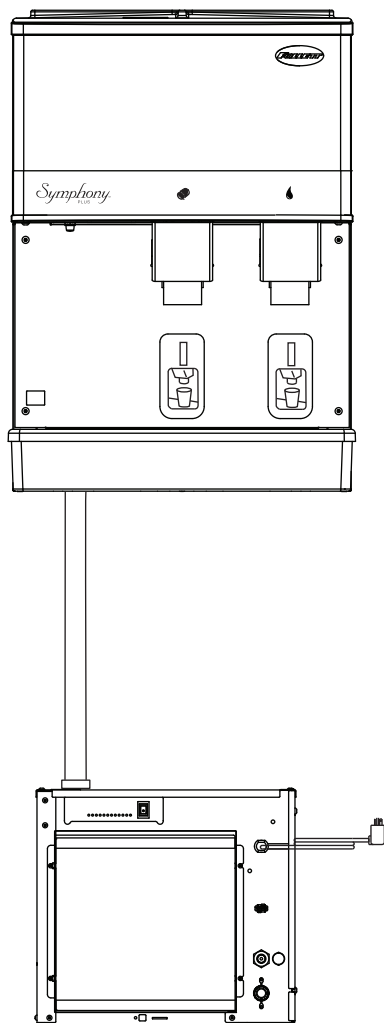
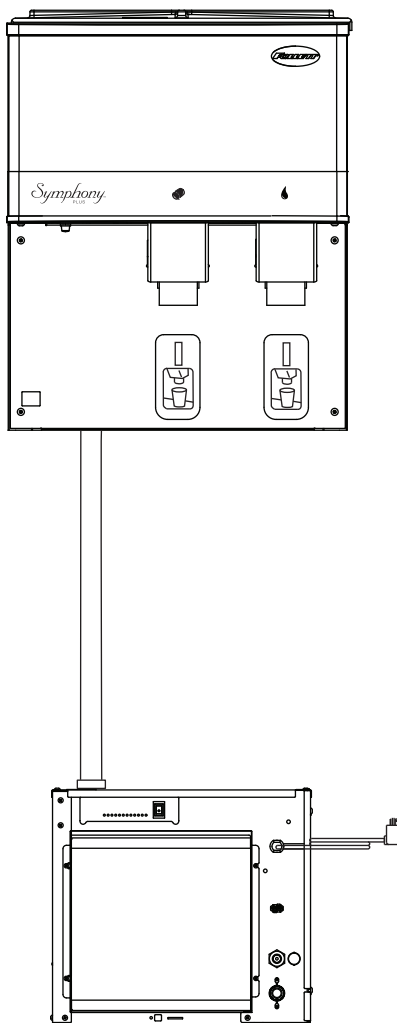


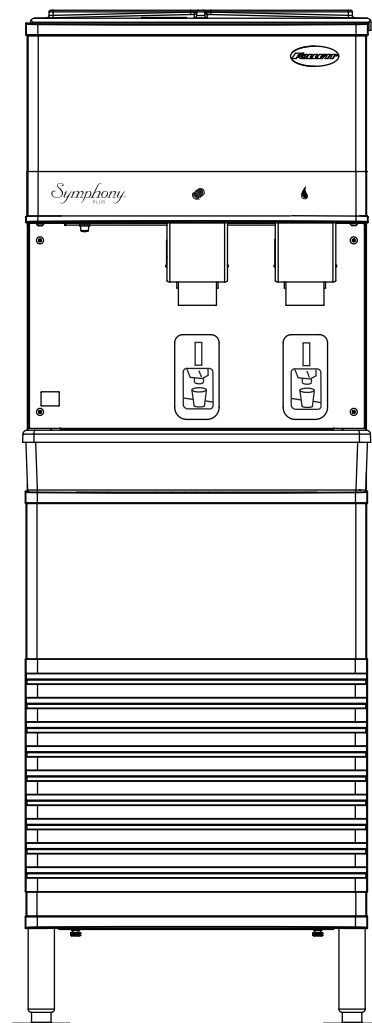
Installation, Operation and Service Manual



25CR425A/W
50CR425A/W



25HR425A/W
50HR425A/W



25FB425A/W
50FB425A/W

**Following installation, please forward this manual
to the appropriate operations person.**

Contents

Welcome to Follett	3
Before you begin	3
Specifications	4
Electrical	4
Ambient	4
Plumbing	4
Ventilation clearances	5
Approximate shipping weight	5
Installation	5
Before you begin	5
Installing freestanding dispensers	5
Installing countertop dispensers without legs	7
Installing countertop dispensers with legs accessory	9
Installing wall mount dispensers	10
Installing RIDE ice machines	13
User information	14
How the dispenser works	14
Cleaning/descaling and sanitizing	14
Weekly	15
Monthly	15
Semi-Annually (more often if conditions dictate)	15
Ice Machine and Dispenser	16
Dispenser only	17
Service	17
Lever models	17
SensorSafe models	17
Dispenser troubleshooting	20
Lever model troubleshooting guide	20
SensorSAFE model troubleshooting guide	21
Disassembly and replacement instructions	22
Ice transport tube replacement	23
Thermostat locations	24
Replacement parts	25
Dispenser exterior	25
Dispense chute and splash panel (models with lever dispensing)	27
Dispense chute and splash panel (models with SensorSAFE infrared dispensing)	28
Dispenser electrical box – SensorSAFE models	29
Dispenser electrical box – lever models	30
Hopper components	31
Ice transport tubing	32
Chilled water components	32
Countertop dispenser plumbing connections	33
Water treatment accessories for Symphony Plus ice and water dispensers	34

Welcome to Follett

Follett equipment enjoys a well-deserved reputation for excellent performance, long-term reliability and outstanding after-the-sale support. To ensure that this equipment delivers that same degree of service, we ask that you take a moment to review the installation portion of this manual before beginning to install the unit. Our installation instructions are designed to help you achieve a trouble-free installation. Should you have any questions or require technical help at any point, please call our technical service group at (877) 612-5086 or (610) 252-7301.

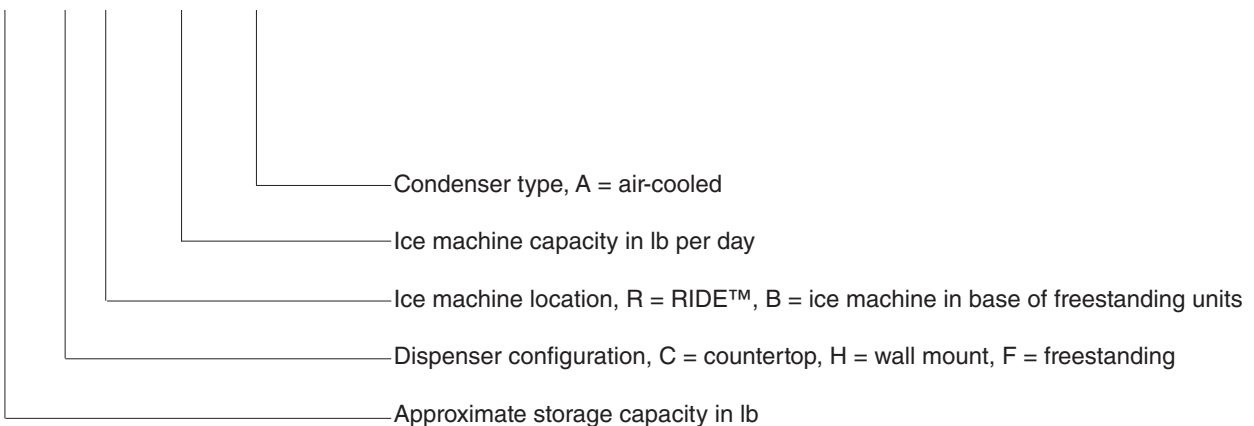
Note: To expedite assistance, all correspondence or communication **MUST** include the model number, serial number and complete and detailed explanation of the problem.

Before you begin

After uncrating and removing all packing material, inspect the equipment for concealed shipping damage. If damage is found, notify the shipper immediately and contact Follett Corporation so that we can help in the filing of a claim, if necessary.

Check your paperwork to determine which model you have. Follett model numbers are designed to provide information about the type and capacity of Follett ice dispensing equipment. Following is an explanation of the different model numbers.

50FB425A



CAUTION!

- Do not tilt any unit further than 30° off vertical during uncrating or installation.
- Dispenser bin area contains mechanical, moving parts. Keep hands and arms clear of this area at all times. If access to this area is required, power to unit must be disconnected first.
- Follett recommends a Follett water filter system be installed in the ice machine inlet water line (standard capacity #00130299, high capacity #00978957, carbonless high capacity #01050442).
- Prior to operation clean and sanitize the dispenser in accordance with instructions found in this manual.
- Ice is slippery. Be sure counters and floors around dispenser are clean, dry and free of ice.

Specifications

Electrical

- Models with RIDE ice machines (25CR425A/W, 50CR425A/W, 25HR425A/W, 50HR425A/W). Ice machine and dispenser require their own separate, dedicated circuit.

	Ice machine	Max. fuse	Dispenser	Max. fuse
Basic electrical: 115 V/60 Hz/1 phase	11.0A	15A	4.0A	15A

- Freestanding models (25FB425A/W, 50FB425A/W) require a dedicated circuit.

	Total system	Max. fuse
Basic electrical: 115 V/60 Hz/1 phase	11.0A	15A

- Dispensers and RIDE ice machines are supplied with 7-foot power cord with NEMA 5-15 hospital-grade plug. Connect to a dedicated 15A dedicated circuit.

Note: It is preferred that circuit be protected by a GFCI.

CAUTION!

All field wiring must be installed in accordance with NEC and local electrical codes. Field wiring diagram is intended only to aid electrician or technician in understanding how equipment works.

Model	Electrical connection	Circuits required
25FB425A/W, 50FB425A/W	cord & plug provided	115/60/1, 20A max. fuse size
25CR425A/W, 50CR425A/W 25HR425A/W, 50 HR425A/W	cord & plug provided	115/60/1 Dispenser: 20A max. fuse size, Ice machine: 20A max. fuse size

Ambient

Air temp	100 F/38 C Max.	50 F/10 C Min. (Best performance below 80 F/27 C)
Water temp	90 F/32 C Max.	45 F/7.2 C Min. (Best performance below 70 F/21 C)
Water pressure	70 P.S.I./5Bar Max.	10 P.S.I./0.7 Bar Min.

Plumbing

	25/50 CR with RIDE ice machine	25/50 HR with RIDE ice machine	25/50 FB with ice machine in base
Dispenser drain	3/4" MPT	3/4" barbed fitting	3/4" MPT
Ice machine drain	3/4" MPT	3/4" MPT	3/4" MPT
Dispenser water inlet	3/8" FPT	3/8" FPT	3/8" FPT
RIDE IM water inlet	3/8" FPT	3/8" FPT	–
Cond. inlet – w/c only	3/8" FPT	3/8" FPT	3/8" FPT
Cond. drain – w/c only	3/8" FPT	3/8" FPT	3/8" FPT

Note: Water shut-off recommended within 10 ft. (3 m) of dispenser. Drain to be hard-piped and insulated. Maintain at least 1/4" per foot (20 mm per 1 m) run of slope.

Ventilation clearances

- No clearance required for countertop dispensers and wall mount dispenser models with RIDE ice machine (25CR425A/W, 50CR425A/W, 25HR425A/W, 50HR425A/W).

Note: 12" (30.5 cm) at top advised for service.

- 4" (10.2 cm) required at rear for freestanding models (25FB425A/W, 50FB425A/W).

Note: 12" (30.5 cm) at top advised for service.

Approximate shipping weight

- 25/50 CR/HR: 310 lb (141 kg)
- 25/50 FB 230 lb (105 kg)

Installation

Before you begin

- All dispensers must be installed level in both directions to ensure proper operation.
- All countertop dispensers provide the option of taking utilities out the bottom or back of the dispenser. See counter cut-out (**Fig. 3**) for bottom exiting utilities on units with and without drain pans. For installations where utilities will exit through back of dispenser, refer to back view drawings.
- Wall mount models are designed for use above sinks or custom drain pans, and are not normally equipped with integral drain pans. Front of sink should be a minimum of 23" (58.4 cm) from back wall. Connection of utilities through the back for wall mount units is the same as shown in drawings for countertop models except that the drain pan is absent.
- SensorSAFE dispensers are shipped with a plastic, protective film on sensor lenses. For proper operation, plastic film must be removed after installation.

Installing freestanding dispensers

1. Position dispenser in desired location and adjust legs to level in both directions.
2. Connect water supply to 3/8" FPT fitting on back of dispenser (**Fig. 1**).
3. Connect separate drain lines to 3/4" MPT dispenser drain fitting, and 3/4" MPT ice machine drain fitting on back of dispenser.
4. Run drain lines to wall or floor drain. If ice machine drain fitting is below an intended wall drain, a condensate pump must be used.
5. If ice machine is a water-cooled unit, connect water-cooled condenser supply line to 3/8" FPT condenser inlet fitting on back of dispenser.

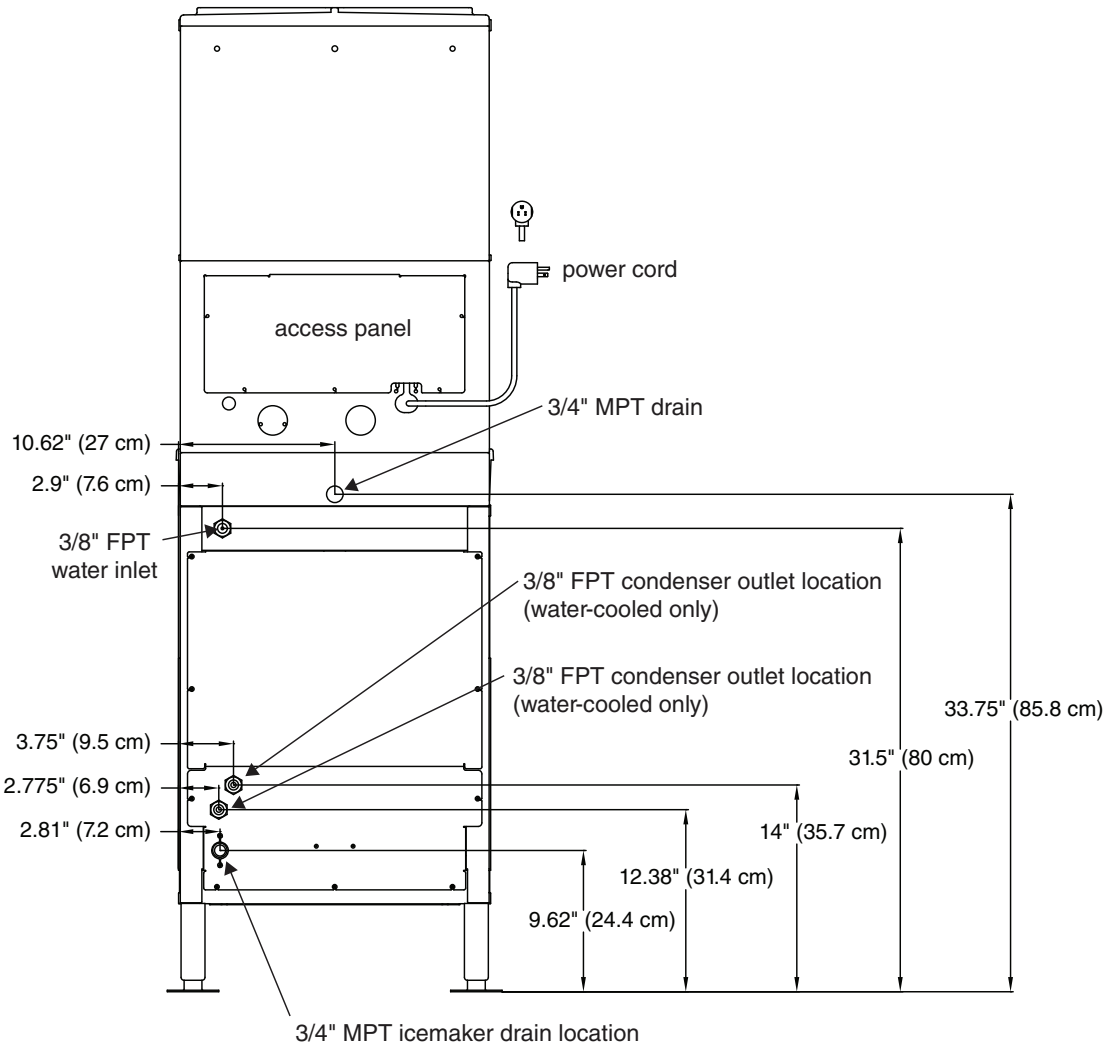
Note: Do not run condenser supply water through ice machine water filter system.

6. Connect condenser drain line to 3/8" FPT condenser outlet fitting on back of dispenser.

Important: Do not connect condenser drain line to any other drain lines.

7. Plug dispenser into 15A rated NEMA 5-15 wall socket.
8. Remove front cover of base section by removing two screws at bottom corners of cover. Allow cover to drop approximately 3/8" (5 mm) and pull forward.
9. Turn on water supply and check for leaks.

Fig. 1 – Rear connections, freestanding models



10. Remove top front cover by removing two screws at bottom corners of cover. Lift cover slightly and pull forward.
11. If dispenser is equipped with SensorSAFE remove protective plastic coating from dispense sensor labels.
12. Turn on dispenser power and bin signal rocker switches. Check dispenser and ice machine operation.
13. Sanitize ice machine according to instructions in ice machine manual. Discard ice made during sanitizing process.
14. Turn off ice machine bin signal switch.
15. Remove dispenser hopper lid; clean and sanitize dispenser according to instructions in *Cleaning/ descaling and sanitizing* section.
16. Turn ice machine bin signal switch on and replace front covers, securing with screws.

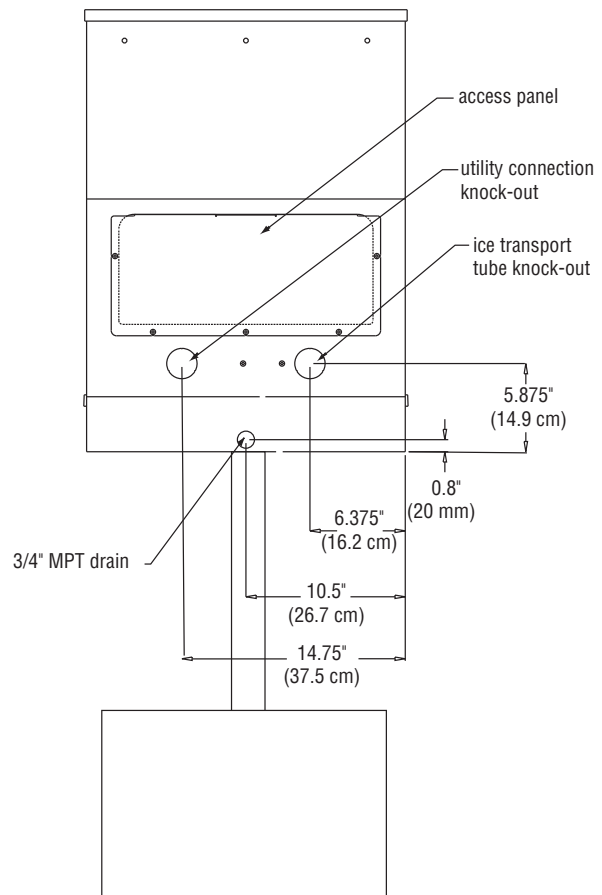
5. If power is to be supplied through counter cut-out, complete steps 6-9. If power is to be supplied through rear of dispenser, proceed to step 10.
6. Temporarily remove rear access panel (**Fig. 4**) from rear of dispenser.
7. Loosen junction box mounting screws. Lift junction box and power cord up until cord and mounting screws clear notches on rear panel of dispenser. Remove Phillips head screws from right side of junction box.
8. Rotate junction box 90 degrees so that screw holes on right side of junction box align with holes on rear dispenser panel. Resecure junction box to dispenser using Phillips head screws.
9. Place power cord inside dispenser and replace access panel (**Fig. 4**) to rear of dispenser.

Note: For dispensers to be installed with utilities connected through rear of dispenser, it may be easier to make preliminary connections before dispenser is set in place.

10. Apply a thick bead, approximately 1/4" (6 mm) diameter, of NSF listed silicone sealant (Dow-Corning RTV-732 or equivalent) 1/4" (6 mm) inside marked outline of dispenser.
11. Carefully position dispenser on counter.
12. Remove four screws securing splash panel to front of dispenser and gently lay splash panel on counter. (Water line to solenoid valve can be disconnected from water inlet valve by pushing on ring at end of inlet fitting while pulling on tubing.)
13. Secure dispenser to counter with four 3/8" bolts (supplied by others).
14. Smooth excess sealant around outside of dispenser.
15. Run water supply line from back of dispenser through utility knock-out (**Fig. 4**) or up through counter cut-out. Connect water supply line to 3/8" FPT fitting on (Fig. 3G) utility flange at bottom of dispenser.
16. Remove 3/4" drain connection plug from either fitting at rear of dispenser (**Fig. 3**) or internal fitting (**Fig. 3**), as appropriate. Connect and run a dedicated drain line to wall or floor drain. An air break should be provided.
17. Proceed with either RIDE or top-mounted ice machine connection instructions, as appropriate.

* Dow Corning is a registered trademark of Dow Corning Corporation in the United States and other countries

Fig. 4



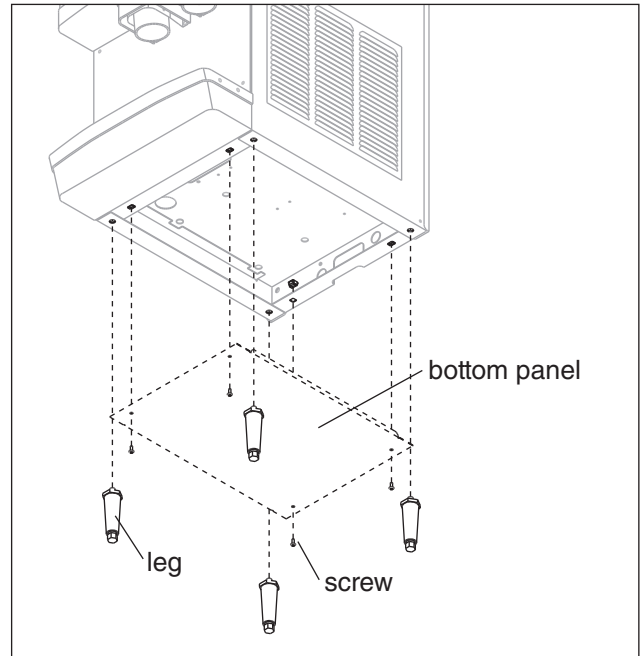
Installing countertop dispensers with legs accessory

CAUTION!

- Do not tilt any unit further than 30° off vertical plane.
- Countertop dispensers that sit on legs (not bolted to counter) can be inadvertently moved. Care should be taken when operating and cleaning to avoid accidents.

1. Carefully tip dispenser back to expose underside and block up in place.
2. Screw legs (shipped taped to drain pan of dispenser) into dispenser bottom, taking care to seat legs securely against underside of dispenser.
3. Attach bottom panel and hardware to bottom of dispenser with supplied screws (**Fig. 5**).
4. Position unit in desired location and adjust bullets on legs to level in both directions.
5. Make final connections.

Fig. 5 – Bottom panel and leg assembly



Installing wall mount dispensers

CAUTION!

- **WALL PREPARATION:** Wall and fasteners must be of sufficient strength to carry weight of unit (185 lb (83.9 kg)). Hardware for this is not included.

Notes:

- No drain pan is provided since the dispenser is intended to be installed above a sink. (Contact Follett if a drain pan is desired.)
 - SensorSAFE infrared dispensing is standard.
1. Recommended minimum counter depth and mounting height shown on **Fig. 6** ensures that ice will drop into sink.
 2. See **Figs. 8-11** for model dimensions. The dimensions include the 0.5" (13 mm) mounting bracket supplied with the unit.
 3. Cut utility hole in wall.
 4. Mount support bracket to wall using fasteners of sufficient strength (fasteners not included, see **Fig. 12**).
 5. Rough in water and drain lines (3/4" copper recommended) (**Figs. 8-11**).
 6. Lift dispenser onto support bracket, positioning unit so that hook on back of dispenser is captured by support bracket angle (**Fig. 12**).
 7. Install two (2) supplied 3/8"-16NC screws through bottom of support bracket into bottom of dispenser (**Fig. 12**). Slotted holes in support bracket allow you to adjust and level the dispenser. Ensure that the top of dispenser is level or tilted slightly back toward the wall.
 8. Remove bottom cover and make final connections.
 9. Attach bottom panel and hardware to bottom of dispenser (**Fig. 13**).

Fig. 6 – Wall mount side view

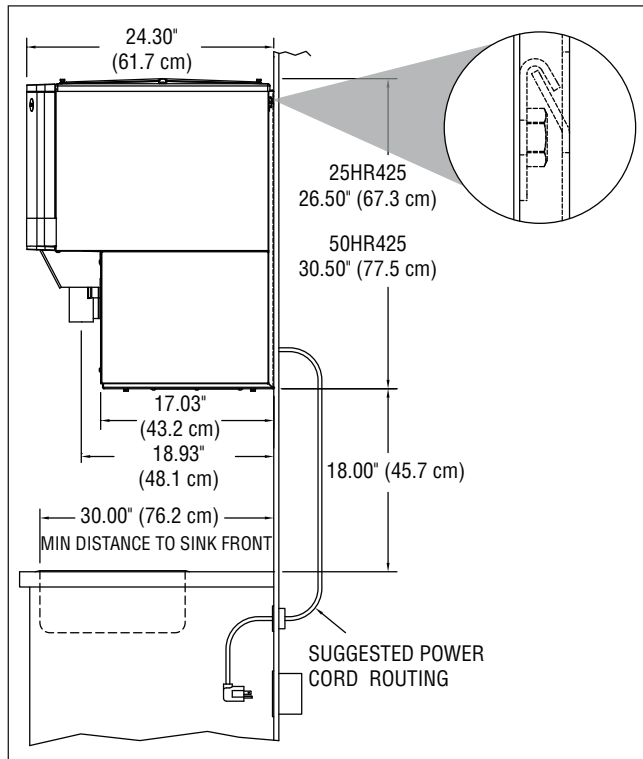


Fig. 7 – Wall mount side view

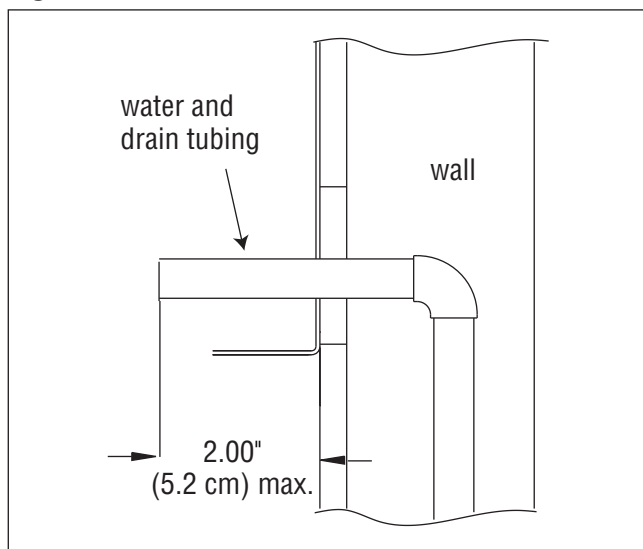


Fig. 8 – Wall mount bracket dimensions, WITHOUT drain pan

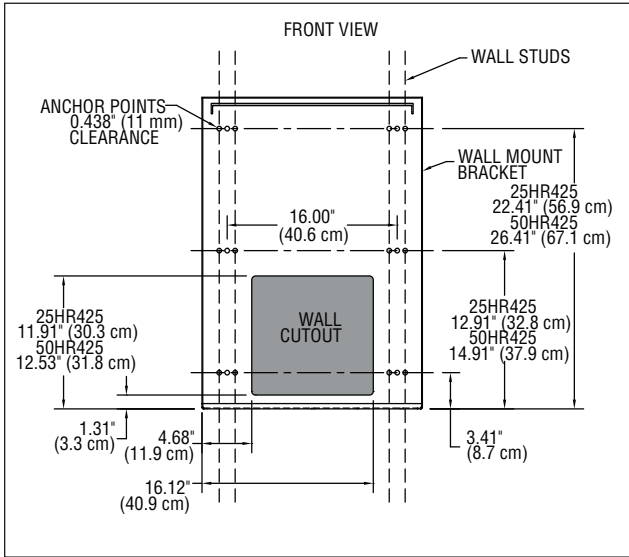


Fig. 9 – Utility rough-in location, WITHOUT drain pan

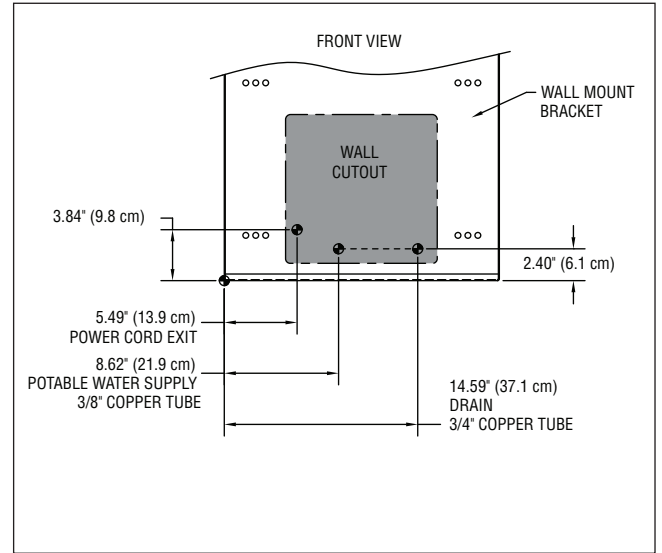


Fig. 10 – Wall mount bracket dimensions, WITH drain pan

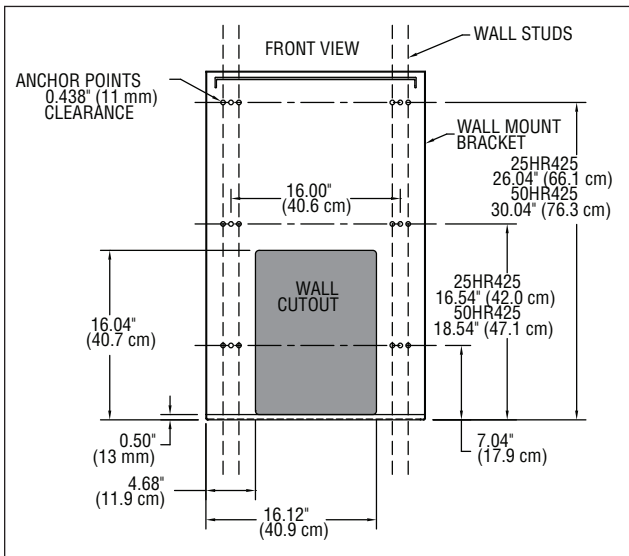


Fig. 11 – Utility rough-in location, WITH drain pan

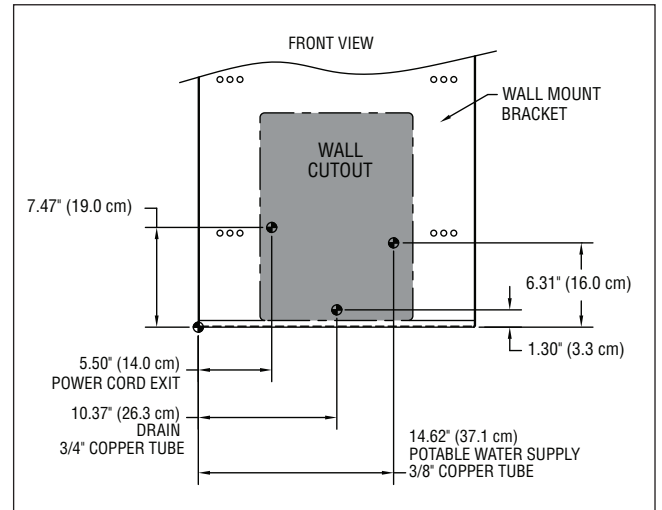
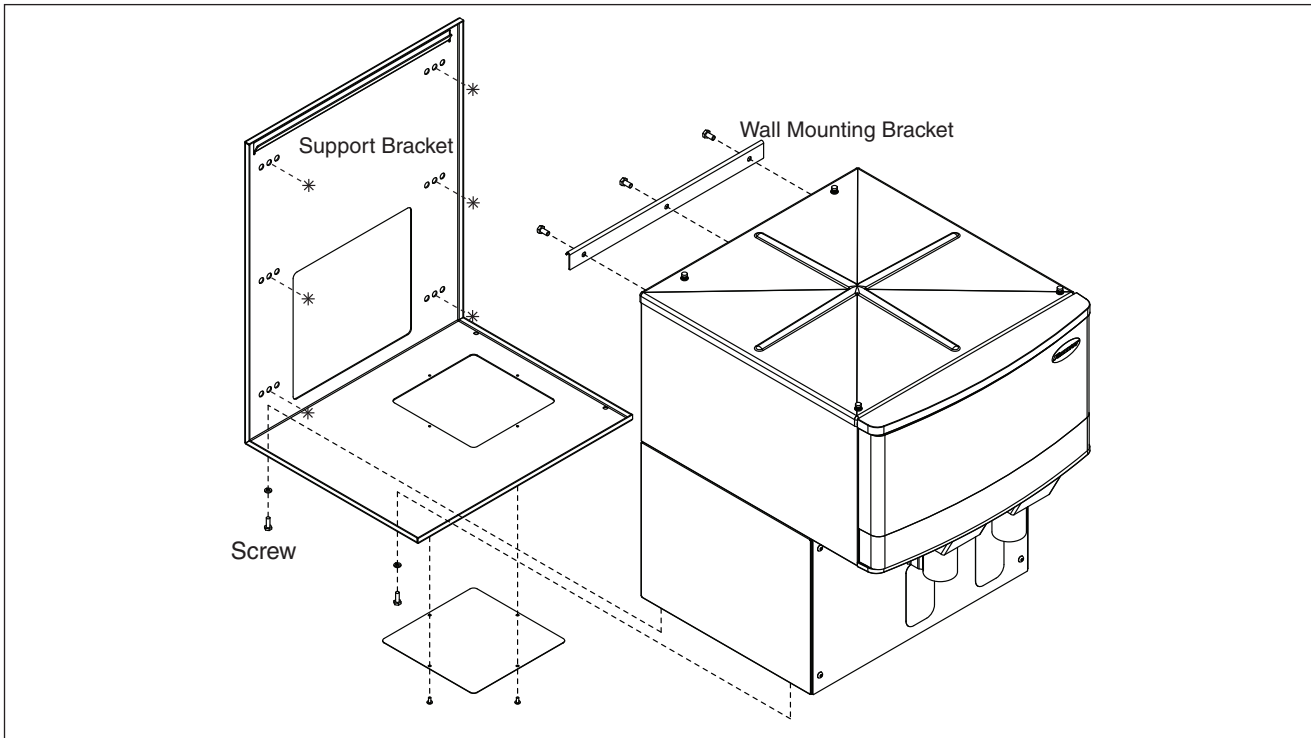


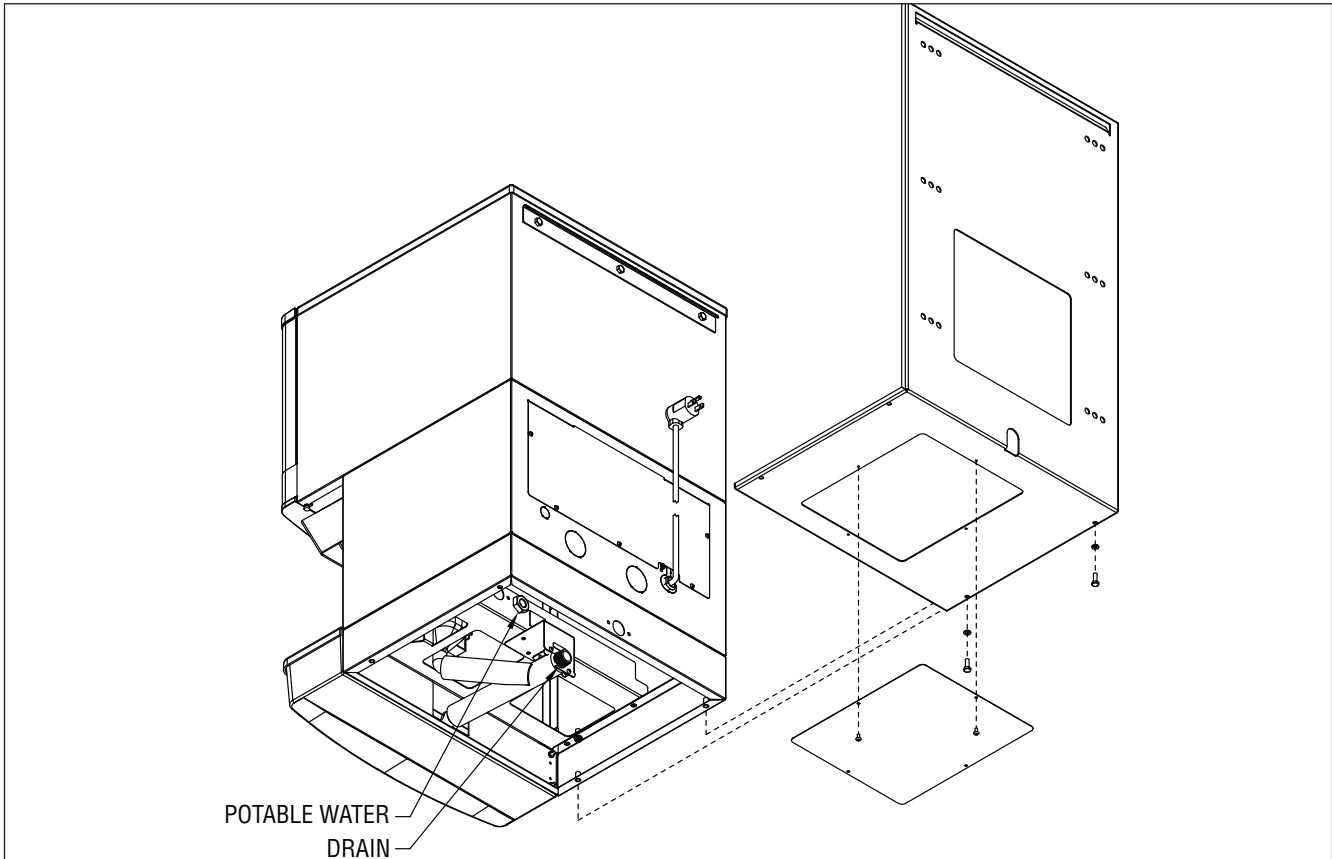
Fig. 12 – Wall mount bracket and fastener requirements



⚠ CAUTION!

- Do not rest dispenser weight on bottom of support bracket.

Fig. 13 – Wall mount unit bottom panel assembly



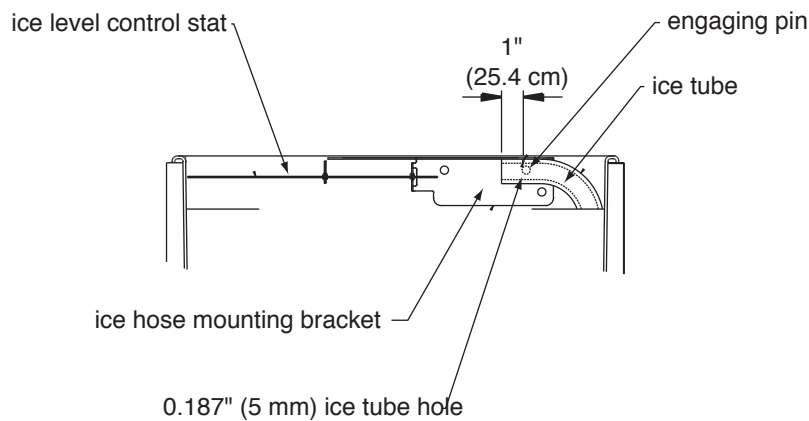
Installing RIDE ice machines

CAUTION!

See Installation Instructions shipped with product for critical installation instructions for RIDE ice machines. Failure to comply with these instructions will result in poor performance and void warranty.

1. Install RIDE ice machine following instructions shipped with product.
2. If dispenser is equipped with SensorSAFE remove protective plastic coating from dispenser lenses.
3. Remove top front cover by removing two screws at bottom corners of cover. Lift cover slightly and pull forward. Turn on power and bin signal rocker switches. Replace front cover and secure with screws. Test operation.
4. Clean and sanitize ice machine following instructions in ice machine manual. Discard ice made during sanitizing process.
5. Sanitize dispenser hopper following instructions in *Cleaning/descaling and sanitizing* section. Installation is complete.

Fig. 14 – Ice transport tube and ice level control stat mounting for freestanding dispensers and countertop units with RIDE ice machine



User information

How the dispenser works

Follett's 25/50 series automatic-load ice and water dispensers are equipped with Follett's 425 lb (181kg)/day ice machine. In the continuous icemaking process, water freezes to the inside wall of the evaporator. A rotating stainless steel auger carries the ice to the top of the evaporator where it is compressed and extruded through an outlet port. The ice is then pushed through a tube to the storage hopper. When the hopper is full, a bin thermostat opens and shuts the ice machine off. When the dispense mechanism is activated, a dispense motor is turned on, causing the wheel to turn. This moves ice to the dispense chute where it drops by gravity into the container held below the chute.

How SensorSAFE infrared dispensing works

Follett's SensorSAFE infrared dispensing maximizes sanitation and minimizes the possibility of cross-contamination by eliminating physical contact between the cup or container and dispenser. Sensors in the panel use reflected infrared light to detect the presence of the container and send a signal to a control board which then activates the appropriate components for ice or water dispensing.

The SensorSAFE infrared dispensing package includes a cleaning switch under the left side of the front cover which temporarily shuts off dispensing to allow cleaning of the panel and lenses. If the switch is not turned back on after cleaning, the dispenser automatically resets after two minutes for normal operation.

SensorSAFE infrared dispensing also includes a time limit safety feature which automatically stops ice dispensing after one minute of continuous dispensing. Dispensing can be resumed by moving the container away from the dispenser and returning it to the activation zone.

Cleaning/descaling and sanitizing

Follett ice machines and dispensers, and their associated cleaning and sanitizing procedures, are designed for use with potable water sources. The presence, or suspected presence, of infectious agents may call for additional measures, including the replacement of components and more comprehensive disinfection measures. Follett recommends that these cleaning and sanitizing procedures be reviewed with the appropriate infectious agent subject matter experts to assure complete remediation.

Periodic cleaning/descaling and sanitizing of Follett's ice and water dispenser and ice machine system is required to ensure peak performance and delivery of clean, sanitary ice. The recommended cleaning procedures that follow should be performed at least as frequently as recommended and more often if environmental conditions dictate.

Follett recommends sanitizing the pressurized water lines prior to cleaning/descaling and sanitizing the ice machine/dispenser. Follett offers two kits: order P/N 01089572 when a Follett filter system with a pre-filter bowl is present, or P/N 01089580 when a Follett filter system is not present. Follow the instructions provided with the respective kits to sanitize the pressurized water lines immediately before cleaning/descaling and sanitizing the ice machine/dispenser.

Cleaning of the condenser can usually be performed by facility personnel. Cleaning/descaling and sanitizing of the ice machine system should be performed by your facility's trained maintenance staff or a Follett authorized service agent. Regardless of who performs the cleaning, it is the operator's responsibility to see that this cleaning is performed according to the schedule below. Service problems resulting from lack of preventive maintenance will not be covered under the Follett warranty.

Recommended cleaning/descaling and sanitizing intervals*

Symphony Plus	Frequency
Drain Line	weekly
Drain Pan/Drip Pan	weekly
Exterior, Water Station Tube	as needed
Condenser	monthly (air-cooled only)
Dispenser and Components	semi-annually
Ice Machine	semi-annually
Transport Tube	semi-annually
Ice Storage Area/Bin	semi-annually
Pressurized Water Sanitizing	semi-annually

* Ice machine and dispenser must be sanitized prior to start-up.

Weekly

CAUTION!

- Do not use solvents, abrasive cleaners, metal scrapers or sharp objects to clean any part of the dispenser.

Dispenser drain pan and drain line

6. Pour 1 gal. (3.8 L) of hot tap water into drain pan to flush drains.

Splash panel front, SensorSAFE infrared dispensing

1. Deactivate dispensing by pressing and releasing clean switch located on left side of unit under top front cover.
2. Clean lens and splash panel front using a soft cloth and mild, non-abrasive, non-chlorine based cleaner.
3. Reactivate dispensing by pressing and releasing clean switch again.

Monthly

CAUTION!

- Do not use solvents, abrasive cleaners, metal scrapers or sharp objects to clean any part of the dispenser.

Condenser (air-cooled ice machine only)

1. Use a vacuum cleaner or stiff brush to carefully clean condenser coils of lint and debris to ensure optimal performance.

Semi-Annually (more often if conditions dictate)

- A cleaning/descaling and sanitizing procedure should always include both the ice machine and dispenser; ice machine should be cleaned and sanitized first, followed by the dispenser.
- Icemaking system can be cleaned/descaled in place.

CAUTION!

- Wear rubber gloves and safety goggles (or face shield) when handling cleaner or sanitizer mixtures.
- Use only Follett approved cleaners.
- It is a violation of Federal law to use Cleaning or Sanitizing solution in a manner inconsistent with their labeling.
- Do not use solvents, abrasive cleaners, metal scrapers or sharp objects to clean any part of the dispenser.

Cleaning: Following manufacturer's instructions, mix cleaning solution of 1 gal. (3.8L) 100 F (38 C) water and 7 oz (198 g) (one 7 oz packet) of Follett SafeCLEAN™ ice machine cleaner/descaler (P/N 00132001).

Sanitizing: Following manufacturer's instructions, mix a sanitizing solution of 1 gal. (3.8 L) 100 F (38 C) water and 1.6 oz (48 ml) Nu-Calgon IMS-II or IMS-III Sanitizer (P/N 00979674).

Cleaning & Sanitizing Tool Checklist

- (2) 1.5 Gallon (or larger) Plastic Buckets
- (2) clean cloths
- Sanitary gloves
- Safety Glasses
- (2) Sani-Sponge™ (P/N 00131524 - single sponge)
- (1) Packet of SafeCLEAN™ (P/N 00132001 - 24 packets)
- 1.6 fl oz of Nu-Calgon IMS-II or IMS-III Sanitizer (P/N 00979674 - 16 fl. oz bottle)

Ice Machine and Dispenser

Cleaning/Descaling Procedure

Note: Check drains and drain cup to ensure they are open and flowing freely.

1. Remove front cover and turn **OFF** bin signal switch.
2. Dispense all ice from storage hopper and discard.
Note: CI Models only: remove splash panel.
3. Press **CLEAN** switch. The **MAINTENANCE** light will turn on and the machine will drain. Wait for the **LOW WATER** light to turn on.
4. Remove lid from cleaning cup and fill (about 1 quart) until cleaning solution completely fills the reservoir. Place lid back on cup. Save remainder of cleaning solution.
5. **CLEANER FULL** light will turn on and machine will start cleaning cycle then rinse three times; this process takes approximately 15 minutes.
6. While ice machine is cleaning/descaling, clean dispenser as follows:
 - a. Turn **OFF** dispenser power.
 - b. Remove hopper lid. (Note: for CT models, remove hopper access cover)
 - c. Remove knurled nuts from front of storage hopper.
 - d. Remove stud assembly, baffle, wheel, and any remaining ice.
 - e. Remove dispense chutes from splash panel.
 - f. Submerge drain grill in cleaning solution and allow to soak to remove any scale buildup.
 - g. Wipe stud assembly, baffle, wheel, inside of storage area, dispense chutes, drain grill and drain pan with damp cloth wrung out in cleaning solution. Thoroughly rinse all parts with damp cloth wrung out with clean water.**Note:** To avoid possible damage to motor assembly, only use a damp cloth to clean storage hopper. Do not allow water to run through motor shaft hole in bottom of hopper.
7. When machine is finished cleaning, the **MAINTENANCE** light will turn off.

Sanitizing Procedure

8. Press **CLEAN** switch. The **MAINTENANCE** light and **LOW WATER** light will turn on.
9. Fill cleaning cup until sanitizing solution completely fills the reservoir. Place lid back on cup. Save remainder of sanitizing solution.
10. **CLEANER FULL** light will turn on and machine will start sanitizing cycle then rinse three times; this process takes approximately 15 minutes.
11. While ice machine is sanitizing, sanitize dispenser as follows:
 - a. Wipe inside of hopper lid, stud assembly, baffle, wheel, inside of storage area, dispense chutes, drain grill and drain pan with damp cloth wrung out in sanitizing solution.
Note: To avoid possible damage to motor assembly, only use a damp cloth to clean storage hopper. Do not allow water to run through motor shaft hole in bottom of hopper.
 - b. Reinstall dispense chutes, wheel, baffle, stud assembly and knurled nuts. (See manual for correct baffle position.)
12. When machine is finished rinsing, the **MAINTENANCE** light will turn off. Loosen phillips-head screw on nozzle connected to evaporator. Remove nozzle from evaporator side only, leave other side of nozzle connected to transport tube.
13. Place one Sani-Sponge in remaining sanitizing solution.
14. Insert the sponge soaked in sanitizing solution into nozzle then insert a dry sponge into the nozzle.
15. Replace nozzle onto evaporator and tighten screw. Ensure drain is connected to reservoir and vent tubes are connected to evaporator drain pan.
16. Turn **ON** bin signal switch. Wait for ice to push sponges through transport tube.
17. Collect sponges from ice storage bin.
18. Replace hopper lid (access cover for CT models), machine top, **turn ON** dispenser power and install front cover.
19. After 10 minutes, dispense all ice and discard.

Dispenser only

Cleaning/Descaling Procedure

Note: Check drains and drain cup to ensure they are open and flowing freely.

1. If ice machine was running recently, ensure that the evaporator is completely free of ice before proceeding.
2. Remove front cover and turn OFF bin signal switch.
3. Dispense all ice from storage hopper and discard.
4. Turn OFF dispenser power
5. Remove hopper lid.
6. Remove knurled nuts from front of storage hopper.
7. Remove stud assembly, baffle, wheel, and any remaining ice.
8. Remove dispense chutes from splash panel.
9. Submerge drain grill in cleaning solution and allow to soak to remove any scale buildup.
10. Wipe stud assembly, baffle, wheel, inside of storage area, dispense chutes, drain grill and drain pan with damp cloth wrung out in cleaning solution. Thoroughly rinse all parts with damp cloth wrung out with clean water.

Note: To avoid possible damage to motor assembly, only use a damp cloth to clean storage hopper. Do not allow water to run through motor shaft hole in bottom of hopper.

Sanitizing Procedure

11. Wipe inside of hopper lid, stud assembly, baffle, wheel, inside of storage area, dispense chutes, drain grill and drain pan with damp cloth wrung out in sanitizing solution.

Note: To avoid possible damage to motor assembly, only use a damp cloth to clean storage hopper. Do not allow water to run through motor shaft hole in bottom of hopper.

12. Reinstall dispense chutes, wheel, baffle, stud assembly and knurled nuts. (See manual for correct baffle position.)
13. Replace hopper cover.
14. Turn ON dispenser power, turn ON bin signal, and install front cover.
15. After 10 minutes, dispense all ice and discard.

Service

Lever models

The dispense wheel motor is energized through the power and ice dispense switches. The water solenoid valve is energized through the power and water dispense switches. The ice machine is controlled through a non-powered contact closure bin thermostat circuit. When ice builds up around the bin thermostat, the contacts open, cutting the bin signal to the ice machine.

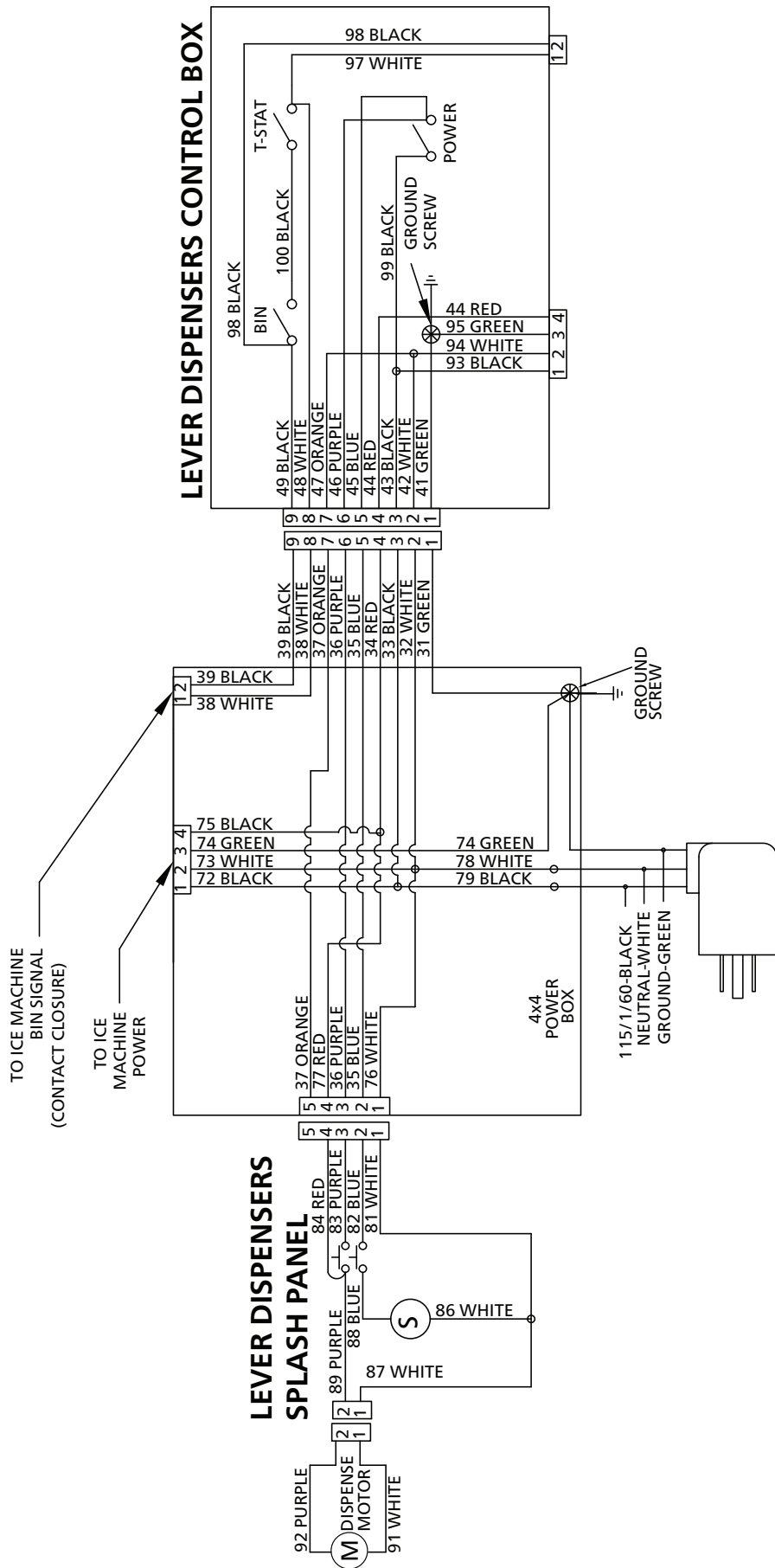
SensorSafe models

SensorSAFE models provide “touchless” ice and water dispensing. When a container is placed within the actuation zone below the ice or water chute on SensorSAFE dispenser models, an infrared signal reflects off the container and is detected by the sensor. The sensor then sends a signal to the control board to activate the appropriate components to dispense ice or water. LEDs on the board indicate when the board is receiving a signal from the sensors.

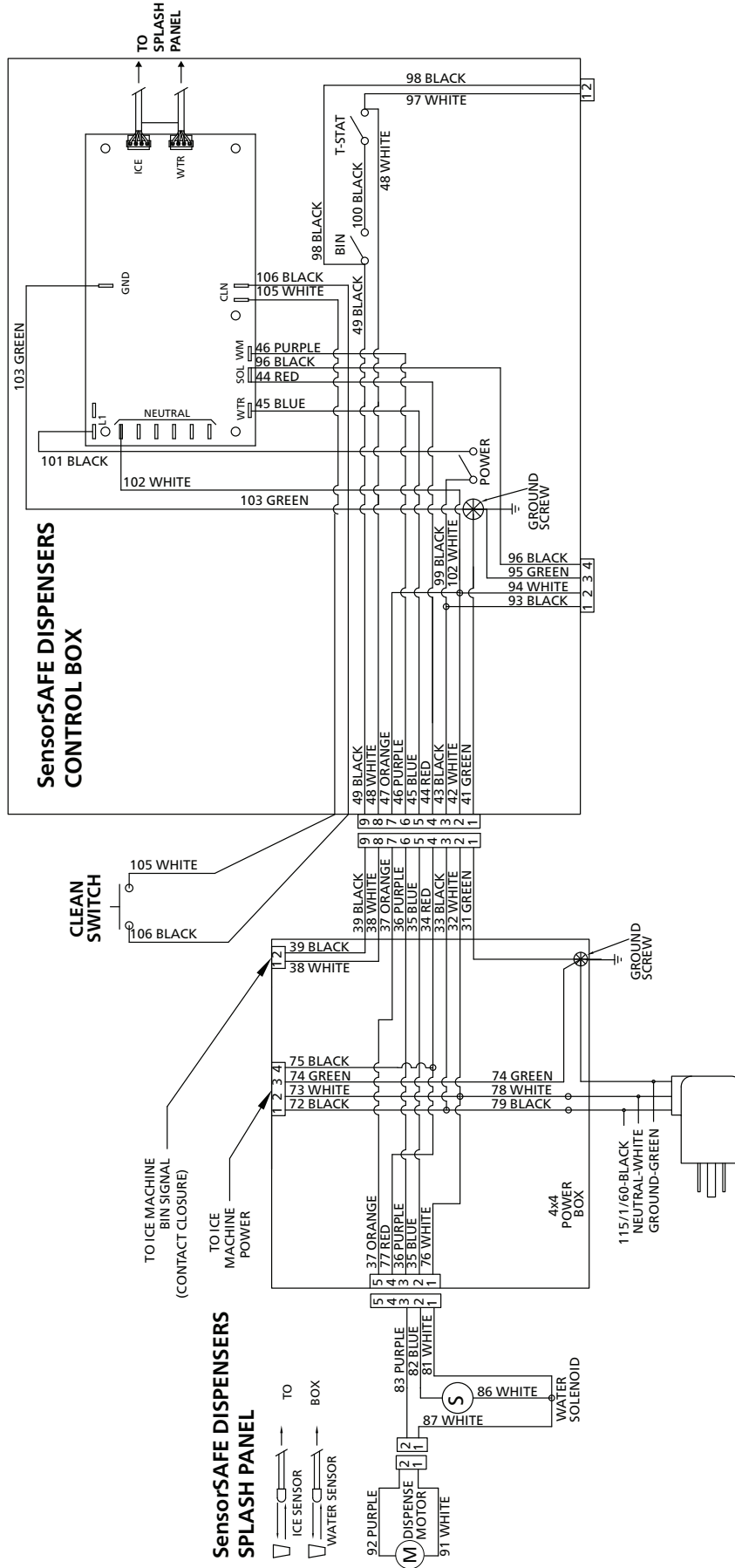
A safety, shut-off feature automatically shuts off dispensing after one minute of continuous activation. Dispensing can be restarted by moving the container away and then returning it to the actuation zone.

Dispensing can be temporarily suspended for cleaning by depressing and releasing the clean switch, located under the left side of the top front cover. Depressing and releasing the button a second time will return the dispenser to normal operating state. If the clean switch is not depressed a second time, the dispenser will automatically resume normal dispense operation (CLN LED goes out) after two minutes. An LED on the control board will light to indicate that the dispensing has been suspended by activation of the clean switch.

Wiring diagram - Lever only



Wiring diagram - SensorSafe only



Dispenser troubleshooting

CAUTION!

- Disconnect power to unit before putting hands or arms in storage area or attempting any repair or service to equipment.

Before calling for service

1. Check that no ice is in the dispenser bin area.
2. Check that congealed ice is not causing a jam
3. Check that all switches and circuit breakers are on
4. Check that all drains are clear.

Lever model troubleshooting guide

Problem	Indicators	Corrective Action
Does not dispense ice.	<ol style="list-style-type: none"> 1. Power switch off or faulty. 2. Faulty dispense switch. 3. Wheel motor malfunction. 	<ol style="list-style-type: none"> 1. Check switch – turn on or replace if faulty. 2. Replace switch. 3. Check motor and capacitor and replace
Does not dispense water.	<ol style="list-style-type: none"> 1. Dispense switch contacts burned shut. 2. Debris preventing valve from closing. 	<ol style="list-style-type: none"> 1. Replace water solenoid valve. 2. Replace dispense switch. 3. Check switch - turn on or replace if faulty.
Water runs continuously.	<ol style="list-style-type: none"> 1. Faulty water solenoid valve. 2. Faulty dispense switch. 3. Power switch off or faulty. 	<ol style="list-style-type: none"> 1. Check switch and replace if faulty 2. Remove and clean valve
Dispense wheel rotates continuously.	Dispense switch contacts are burned out.	Replace dispense switch.
Ice machine runs continuously.	Faulty or incorrectly positioned bin stat.	Check for proper positioning. If stat does not open when ice is placed on capillary tube, replace stat.
Ice dispenses by itself.	<ol style="list-style-type: none"> 1. Baffle not adjusted properly. 2. Faulty dispense switch. 	<ol style="list-style-type: none"> 1. See Adjustment Instructions. 2. Replace dispense switch.
Not making ice.	1. Dispenser is in sleep mode.	<ol style="list-style-type: none"> 1. Verify sleep mode LED is illuminated on control board. 2. Dispense 5 seconds worth of ice to reset.

SensorSAFE model troubleshooting guide

Problem	Action	SensorSAFE Board LED Status			Corrective Action
		PWR	CLN	ICE/WTR	
Does not dispense ice and/or water.	Check LEDs on the SensorSAFE control board.	OFF	OFF	OFF	Check circuit breakers and power switch. Restore power or replace defective switch.
		ON	ON	OFF	Press clean switch on lower left side of electrical enclosure to return board to normal operation.
	Place cup under drop zone (in front of lens)	ON	OFF	OFF	Troubleshoot appropriate lens/sensor and replace if required (see lens/sensor troubleshooting).
		ON	OFF	ON	Verify power on appropriate output terminal (WTR or WM) on control board and replace board if required. If board tests okay, troubleshoot appropriate dispenser component.
Dispenses ice and/or water continuously.	Check LEDs on control board.	ON	OFF	ON	Troubleshoot appropriate lens/sensor and replace if required (see lens/sensor troubleshooting).
		ON	OFF	OFF	If there is power on any output terminal 9 (WTR or WM) on control board, replace board.

Board guide

LEDs, when illuminated, indicate the following: PWR (board power), CLN (cleaning, no dispensing cycle), ICE (ice dispensing activated), WTR (water dispensing activated).

Terminals: LI (incoming power, hot), L2 (neutral terminals), WTR (power terminal for water solenoid), WM (power terminal for wheelmotor), CLN (terminals for clean cycle switch).

Note: SOL terminal not used in 12 series dispensers.

Lens/sensor troubleshooting

1. Turn dispenser power switch off and remove splash panel.
2. Disconnect wires from WTR and WM terminals on board.
3. Gently remove sensor/mounting block from splash panel.
4. Inspect lens and sensor, clean if necessary.
5. Restore dispenser power and test sensor by passing hand in front of sensor.
6. If LED on board turns on, sensor is operational. Re-assemble dispenser.
7. If LED does not come on switch sensor leads on board and retest.
8. If opposite LED comes on – replace defective board.
9. If opposite LED does not come on – replace defective sensor.

Disassembly and replacement instructions

Dispense chute removal

1. Remove dispenser front cover.
2. Slide plastic dispense chute up and out to remove.

Dispense wheel and drive bar removal

1. Remove all ice from storage area of dispenser.
2. Remove center thumbnut from dispense wheel.
3. Remove thumbnuts holding baffle inside bin and remove baffle.
4. Tilt rear of wheel up and lift off motor drive shaft.
5. After reinstalling wheel, secure baffle loosely with thumbnuts, but do not tighten.
6. Place a 1/8" (3.2 mm) spacer against wheel and allow baffle to drop until it touches spacer.
7. Tighten thumbnuts and remove spacer.

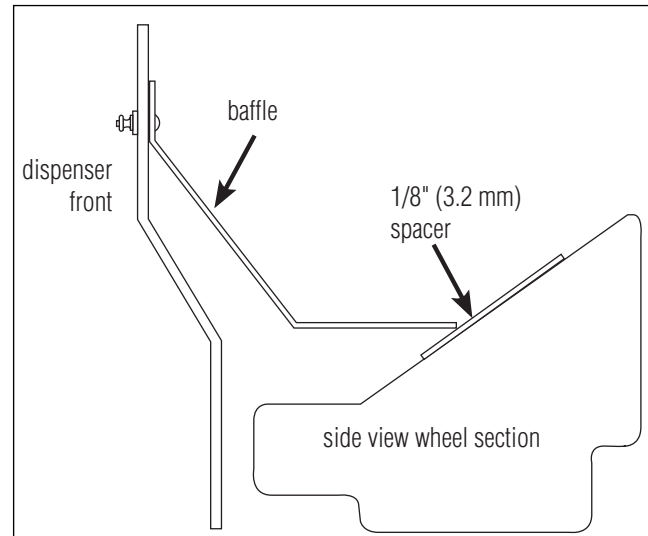
Drive bar removal

1. Remove dispense wheel from dispenser (see above).
2. Pull drive bar out of its channel in bottom of wheel.

Wheelmotor removal

1. Shut water off. Remove front cover.
2. Remove dispense wheel and dispense chute covers (see above).
3. Remove splash panel. Water line to solenoid valve can be disconnected from water inlet valve by pulling on ring at end of inlet fitting.
4. Disconnect wiring to panel and set panel aside.
5. Disconnect wires on motor.
6. Remove four bolts (7/16" socket) holding motor assembly to bottom of dispenser.
7. Remove motor assembly.

Fig. 15



Ice transport tube replacement

Models 25FB425A/W, 50FB425A/W, 25CR425A/W, 50CR425A/W

CAUTION!

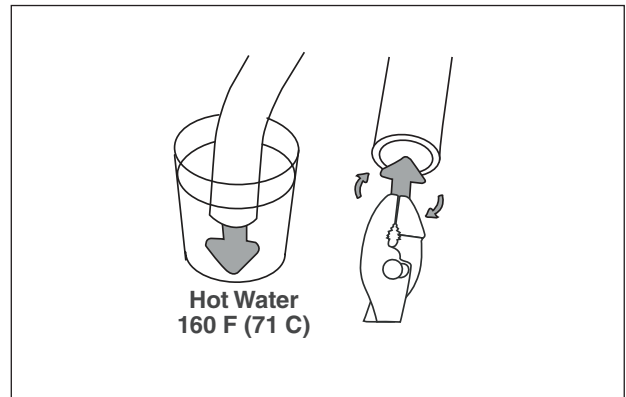
- Correct installation of ice transport tube is critical to RIDE ice machine performance. Replacement ice transport tubes for RIDE ice machines must be insulated and run continuously from ice machine to dispenser with no dips or bends with a radius of less than 6" (15.3 cm).

1. Remove top and rear access panel from dispenser (lower front panel in freestanding unit).
2. Disconnect existing ice tube from engaging pin on transport tube bracket in ice storage bin and pull down through dispenser chase.
3. Disconnect opposite end of tube from ice machine.
4. Run end of new ice transport tube with 3/16" (5 mm) hole through ice transport tube knockout (Fig. 5G) in back of dispenser or through counter into bottom of dispenser, being careful to avoid any bends with less than 6" (15.3 cm) radius.
5. Insert tube in internal chase in rear inside corner of dispenser (left side as you face dispenser) and push up into storage area.
6. Push the 3/16" (5 mm) hole near end of tube into pin on ice tube bracket (see drawing below).

Steps 7-8 for units with RIDE ice machines only

7. Install supplied insulation to run of transport tube required for your site, leaving approximately 2" (5.1 cm) of tube exposed at free end.
8. Check that insulated tube runs continuously from ice machine to dispenser with no dips.
9. Heat end of transport tube in cup of 160 F (71 C) hot water to soften and spread with pliers before making connection to ease assembly and prevent coupler edge from cutting inner wall of tube.

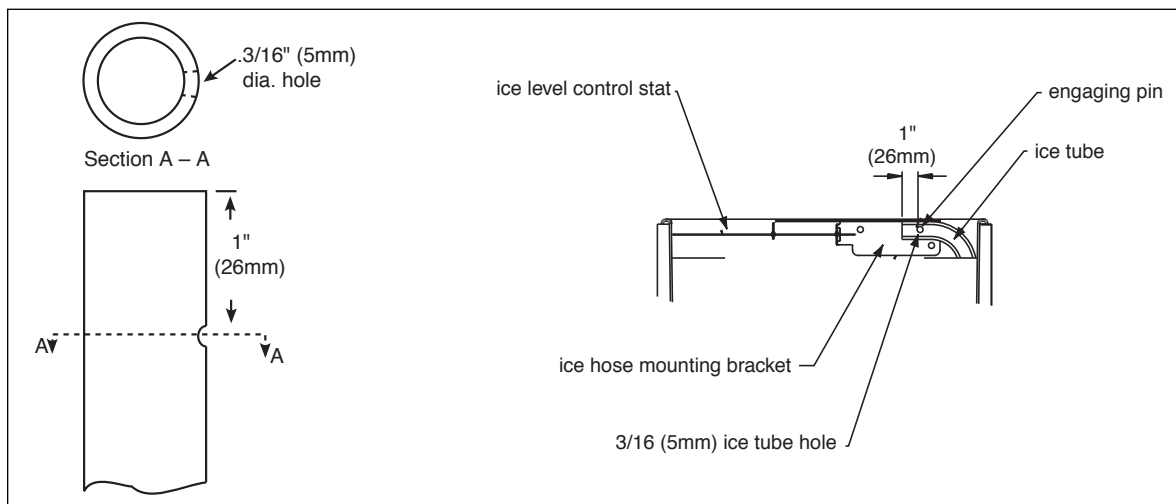
Fig. 16



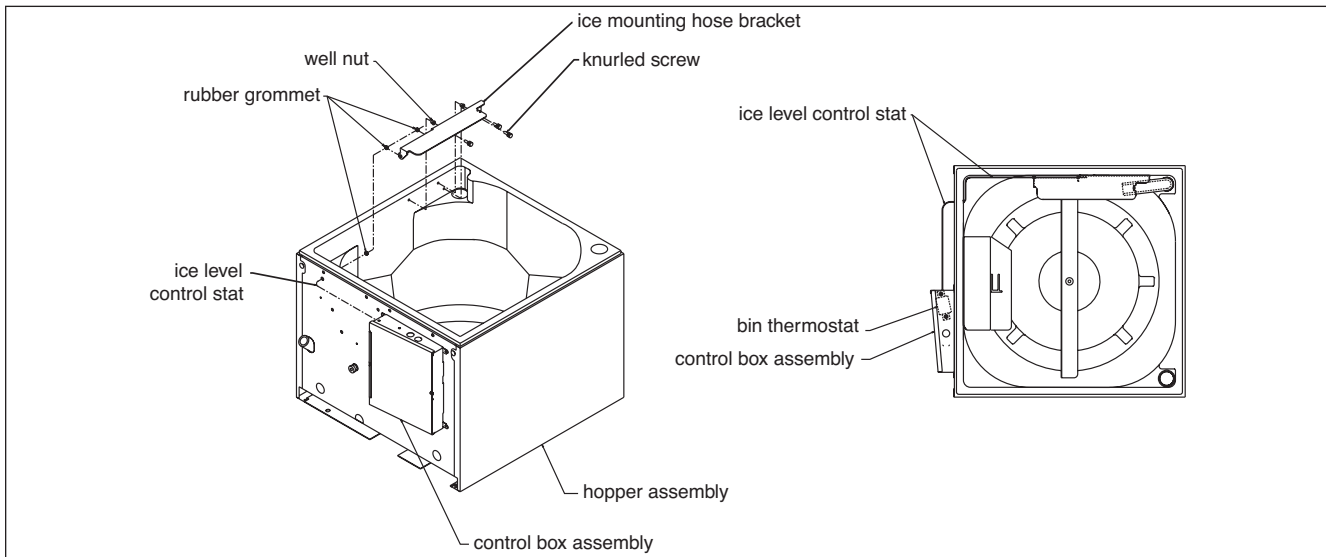
All units

10. Slip supplied hose clamp onto tube and push tube onto exit port of evaporator. *Do not twist hose when securing to evaporator.*
- Note:** Only use tubing supplied by Follett Corporation.
11. Fasten tube on port with hose clamp, ensure that clamp is positioned on evaporator side of nozzle flange.
12. Tighten clamp.

Fig. 17

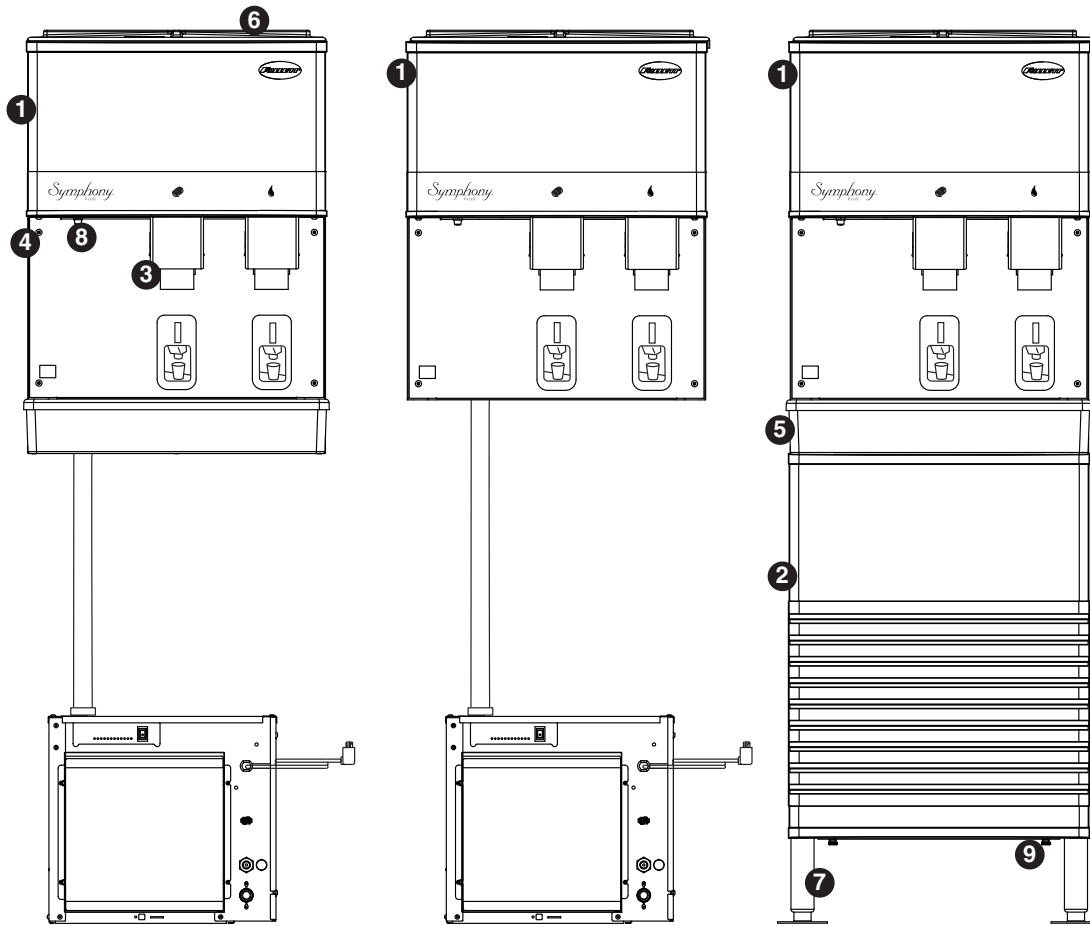


Thermostat locations



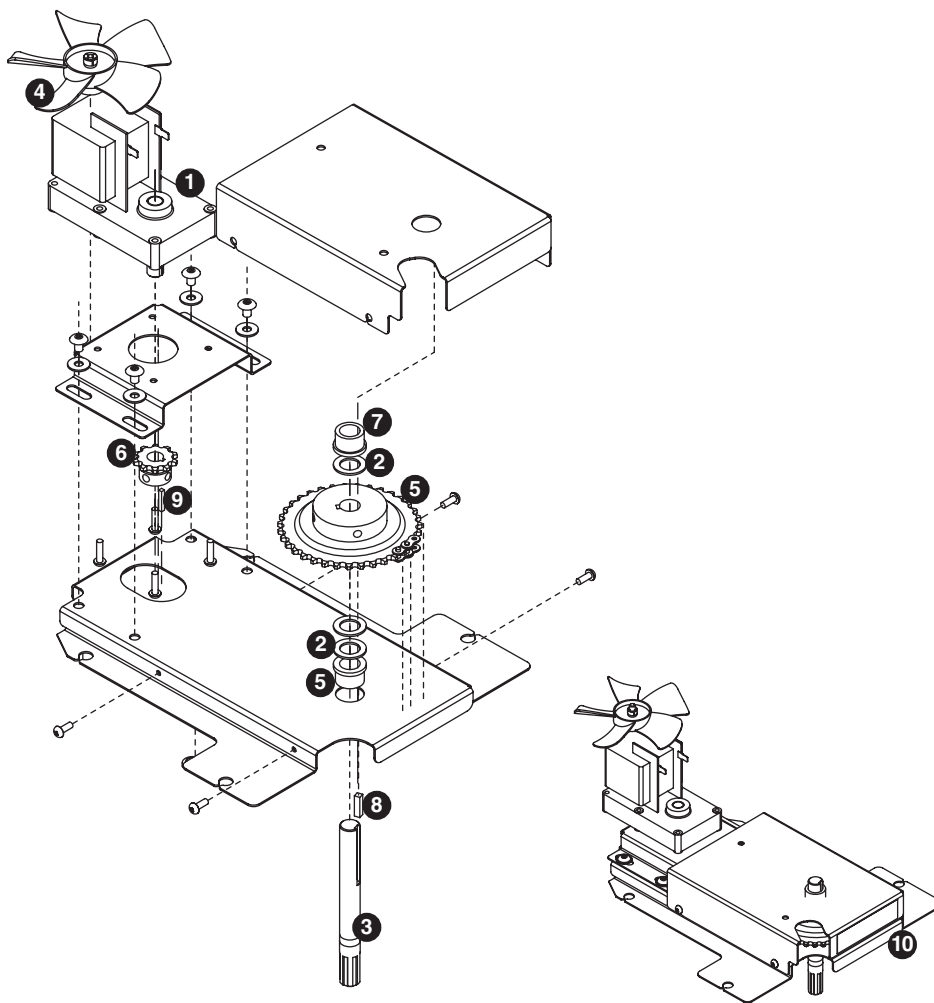
Replacement parts

Dispenser exterior



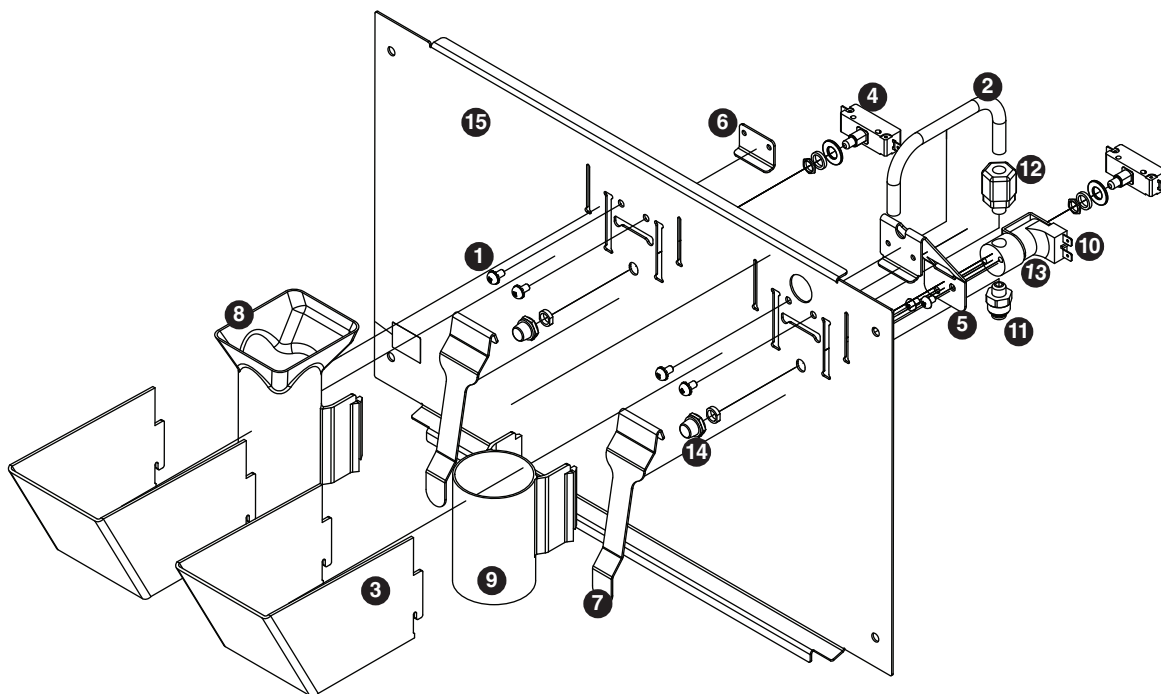
Reference	Description	Part #
1	Cover, top front, 25 CR, HR & FB, ice and water	01072719
1	Cover, top front, 50 CR, HR & FB, ice and water	01072727
2	Cover, lower section, stainless, 25/50 FB	502694
3	Cover, dispense chute	502681
4	Knurled screws, front cover	01085703
5	Drain pan	502682
Not shown	Grille, drain pan	01050277
6	Lid, bin, secured	01072776
Not shown	Rear panel, base stand, perforated	01074194
7	Leg kit, 6" (15.3 cm), adjustable, for freestanding units – set of 4	502088
Not shown	Single leg, for freestanding units	502298
Not shown	Drain fitting, plastic, ice machine, freestanding units (includes screws)	00109728
Not shown	Cord and plug, power, dispenser	01027648
Not shown	Cord and plug, bin signal, RIDE IM, 20 ft	01074202
8	Clean switch, SensorSAFE	502359
Not shown	Cord and plug, bin signal, freestanding dispensers, 3 ft	01074210
Not shown	Caster	502805
Not shown	Grille, drain pan, case of 12	01071232
Not shown	Tubing, bin drain	01047562
Not shown	Cord and plug, power, FB units, dispenser box to ice machine box	01074848
9	Screw, knurled, 1/4-20 x 1"	00159855

Wheel motor and drive system



Reference #	Description	Part #
1	Wheel motor, 120V, 60Hz	501861
2	Washer, thrust	501026
3	Shaft, drive (includes key and stud)	501619
4	Fan blade, wheel motor	501607
Not shown	Chain, pitch 64, link	00182246
5	Sprocket, drive shaft, 35T (includes drive shaft key)	502692
6	Sprocket, wheel motor, 10T	501019
7	Bearing, drive shaft	501024
Not shown	Connecting link, chain	500799
8	Key, drive shaft	500367
9	Key, wheel motor	205991
10	Dispenser drive assembly (parts 1-9 above)	00192971

Dispense chute and splash panel (models with lever dispensing)

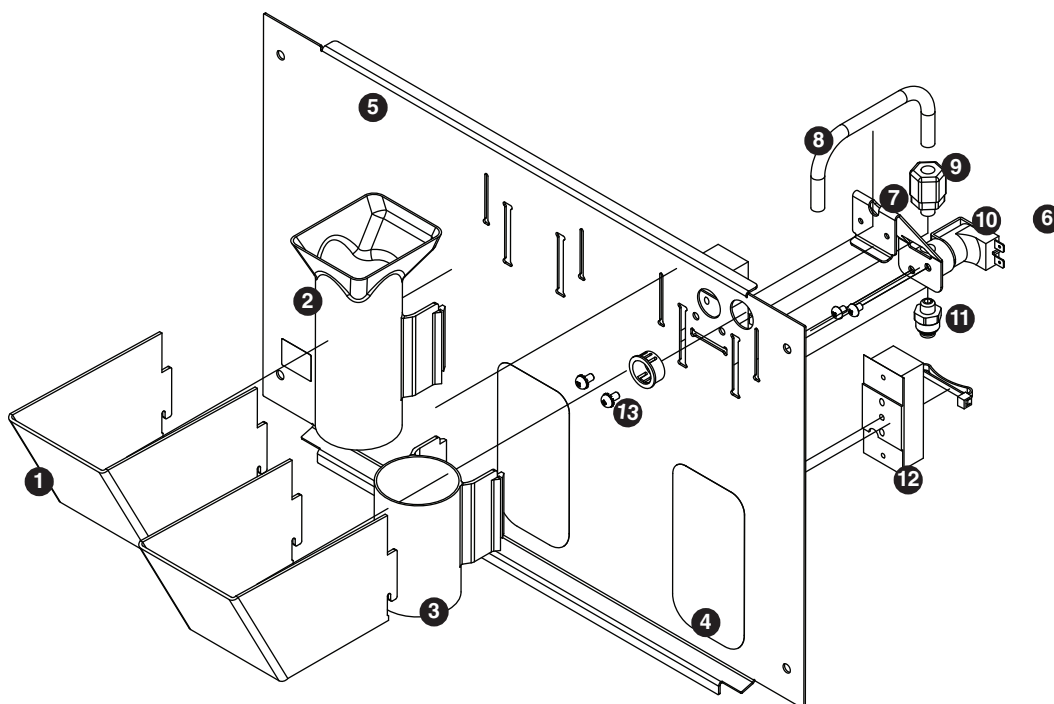


Reference	Description	Part #
1	Fastener, 10-32 x 3/8" stainless steel	00982421
2	Tube, water station	502356
3	Cover, dispense chute	502681
4	Switch, dispense, lever actuated (includes 501841)	502359
5	Bracket, lever and water solenoid	01039635
6	Bracket, lever	00958793
7	Lever, dispense	00976845
8	Chute, ice (with Agion® antimicrobial product protection ¹)	01041201
9	Chute, water (with Agion)	01042266
10	Solenoid assembly, water, 120V, 60Hz (includes solenoid valve, tube, bracket, inlet and outlet fittings) 120V 60Hz	01049121
11	Fitting, inlet, 1/4" tube x 1/8 MNPT straight	00991232
12	Fitting, outlet, 1/8" MPT x 3/8" comp	502262
13	Solenoid valve, water, 120 V, 60Hz	502243
14	Boot, dispense switch button	501841
15	Splash panel, lever dispense	01038603
Not shown	Tubing, water station, thermoplastic, 1/4" OD (sold by the foot)	502079
Not shown	Splash panel, lever dispense complete assembly	01049022

¹ Disclaimer: Antimicrobial protection is limited to the treated components and does not treat water or ice.

Agion is a registered trademark of Agion Technologies, Inc, Wakefield, MA, USA.

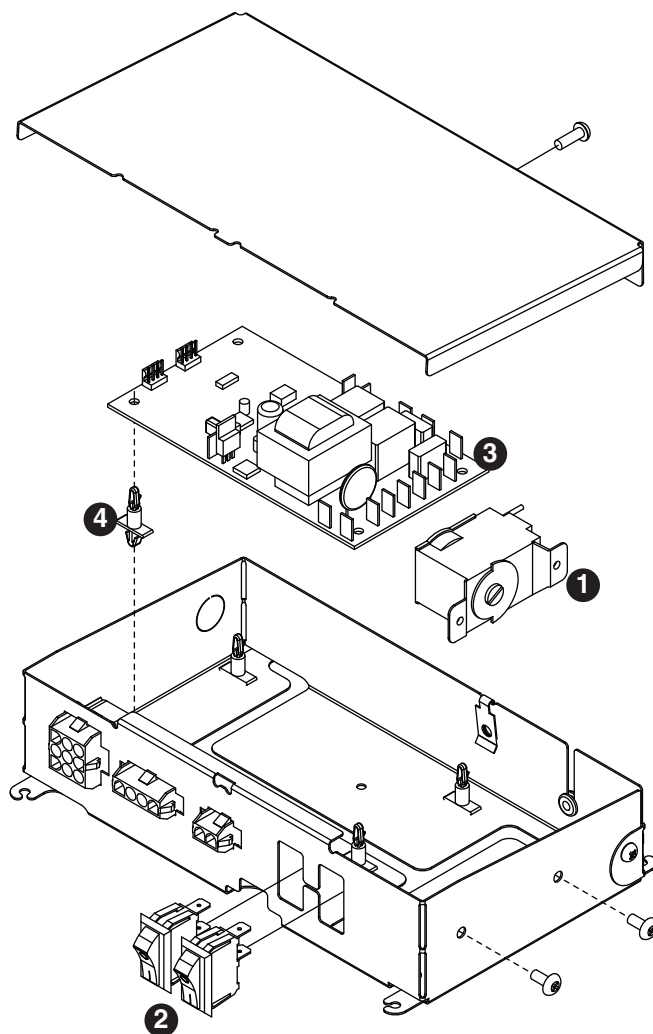
Dispense chute and splash panel (models with SensorSAFE infrared dispensing)



Reference	Description	Part #
1	Cover, dispense chute	502681
2	Chute, ice (with Agion antimicrobial product protection ¹)	01041201
3	Chute, water (with Agion)	01042266
Not shown	Chute, ice (with Agion® antimicrobial product protection ¹), wall hung	01040005
Not shown	Chute, water (with Agion), wall hung	00984898
4	Lens, sensor	502690
5	Splash panel, SensorSAFE dispense	01049147
Not shown	Splash panel, SensorSAFE dispense, wall hung	01049154
6	Solenoid assembly, water, (includes solenoid valve, tube, bracket, inlet and outlet fittings) 120V 60Hz	01049121
7	Bracket, lever and water solenoid	01039635
8	Tube, water station	502356
9	Fitting, outlet, 1/8" MPT x 3/8" comp	502262
10	Solenoid valve, water, 120 V, 60Hz	502243
11	Fitting, inlet, 1/4" tube x 1/8 MNPT straight	00991232
12	Sensor (includes lens and ty-rap)	00122978
13	Fastener, 10-32 x 3/8" stainless steel	00982421
Not shown	Splash panel, SensorSAFE, complete assembly	01049006
Not shown	Splash panel, SensorSAFE wall hung, complete assembly	01049014

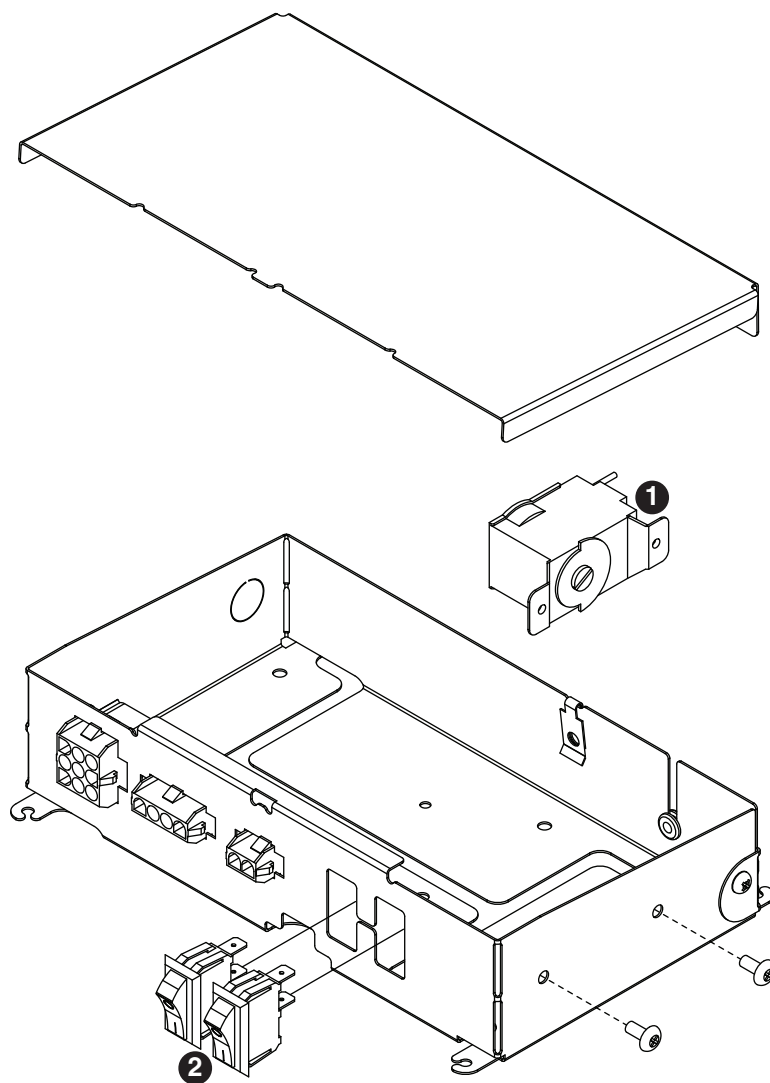
¹ Disclaimer: Antimicrobial protection is limited to the treated components and does not treat water or ice. Agion is a registered trademark of Agion Technologies, Inc, Wakefield, MA, USA.

Dispenser electrical box – SensorSAFE models



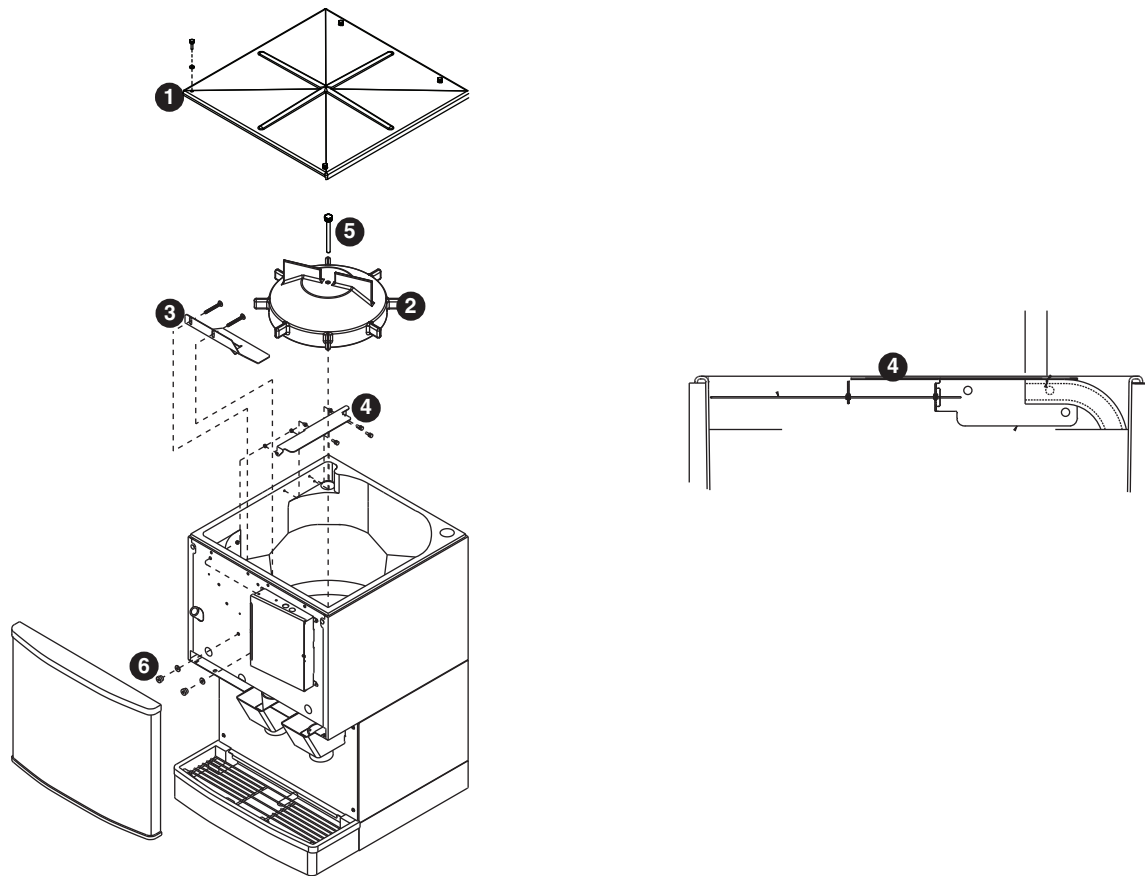
Reference #	Description	Part #
1	Thermostat	500514
2	Switch, dispenser power	502209
2	Switch, ice machine bin signal	502209
3	Board, SensorSAFE	502242
4	Standoff, board (4 required)	501959

Dispenser electrical box – lever models



Reference #	Description	Part #
1	Thermostat	500514
2	Switch, dispenser power	502209
2	Switch, ice machine bin signal	502209

Hopper components

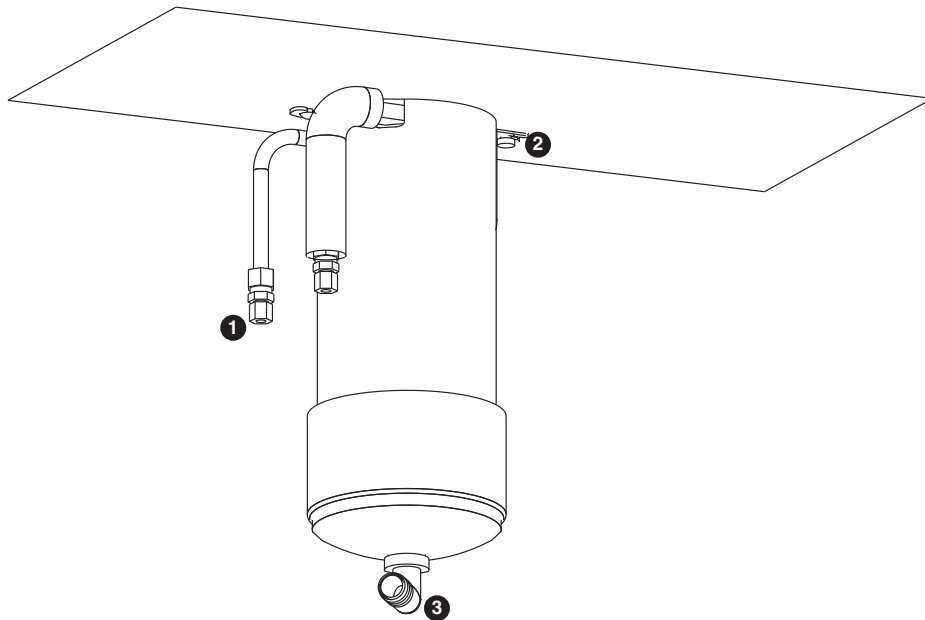


Reference	Description	Part #
1	Lid, bin, secured	01072776
2	Wheel, dispense (includes 501612)	502821
3	Baffle, ice	501608
4	Bracket, ice tube	502712
5	Rod, threaded (includes knurled nut)	501612
6	Screws, knurled	501613

Ice transport tubing

Reference	Description	Part #
Not shown	Ice transport tube (RIDE units) - 10 ft	502522
Not shown	Ice transport tube (RIDE units) - 20 ft	502523
Not shown	Ice transport tube insulation (RIDE units only) - sold by the foot	501176
Not shown	Ice transport tube assembly (50 FB units)	502328
Not shown	Ice transport tube assembly (25 FB units)	502329

Chilled water components

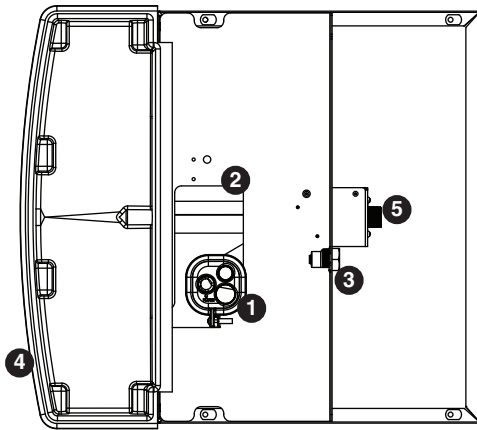


Reference	Description	Part #
1	Fitting, water coil	502599
2	Brackets, chilled water canister, pair (includes screws)	502600
3	Elbow, drain	502605
Not shown	Assembly, chilled water	01074129
Not shown	Coil, chilled water (includes two 502599)	01074111
Not shown	Tubing	01055011

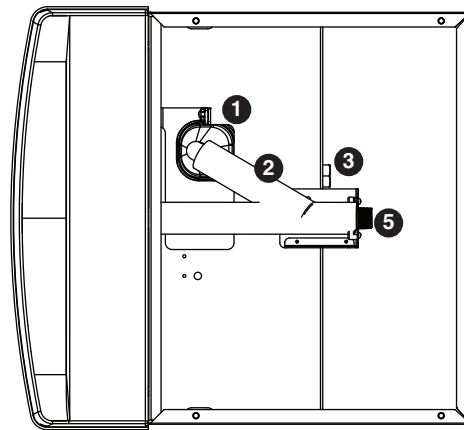
Countertop dispenser plumbing connections

25HR and 50HR

TOP VIEW



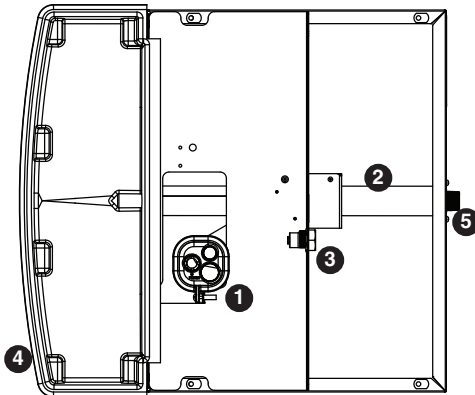
BOTTOM VIEW



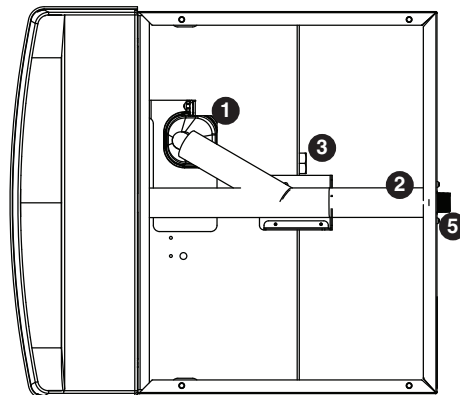
Reference	Description	Part #
1	Drain cup	01064690
2	Drain tube assembly	01072842
3	Fitting, water inlet	01065275
4	Drain pan	502682
5	Fitting, drain, 3/4" barb x 3/4" MPT	00109728
Not shown	Valve, water shut-off	01035526
Not shown	Grille, drain pan	01050277
Not shown	Tee, water inlet	502923

25CR/FB and 50CR/HB

TOP VIEW



BOTTOM VIEW



Reference	Description	Part #
1	Drain cup	01064690
2	Drain tube assembly	01072842
3	Fitting, water inlet	01065275
4	Drain pan	502682
5	Fitting, drain, 3/4" barb x 3/4" MPT	00109728
Not shown	Valve, water shut-off	01035526
Not shown	Grille, drain pan	01050277
Not shown	Tee, water inlet	502923

Water treatment accessories for Symphony Plus ice and water dispensers

Reference #	Description	Part #
Standard capacity filter system		
Not shown	Follett QC4-FL4S water filter system (includes FL4S primary cartridge and head, coarse pre-filter and head, pressure gauge, flushing valve; assembled and installed on mounting bracket), one per ice machine	00130229
Not shown	Follett FL4S primary replacement cartridge	00130245
Not shown	Water filter cartridge – primary, carton of 6	00954297
Not shown	Everpure coarse pre-filter cartridge	00130211
Not shown	Water pre-filter cartridge – pre-filter, carton of 12	00954305
High capacity filter system		
Not shown	High capacity water filter system (one per ice machine)	00978957
Not shown	High capacity water filter cartridge – primary, single	00978965
Not shown	High capacity water filter cartridge – primary, carton of 6	00978973
Not shown	Water pre-filter cartridge – pre-filter, single	00130211
Not shown	Water pre-filter cartridge – pre-filter, carton of 12	00954305
Carbonless high capacity filter system		
Not shown	Carbonless high capacity water filter system (one per ice machine) – Horizon and Maestro series ice machines	01050442
Not shown	Carbonless high capacity water filter cartridge – primary, single	01050426
Not shown	Carbonless high capacity water filter cartridge – primary, carton of 6	01050434
Not shown	Water pre-filter cartridge – pre-filter, single	00130211
Not shown	Water pre-filter cartridge – pre-filter, carton of 12	00954305
Other filtration		
Not shown	Claris hardness removal filtration system	00986059
Not shown	Replacement filter for Claris system	00985127
Not shown	Reverse osmosis system, 200 gallons per day	00986034
Not shown	Replacement reverse osmosis cartridge	00985085
Not shown	Replacement reverse osmosis pre-filter	00985077
Not shown	Cleaning plug for reverse osmosis system	00985119
Not shown	Cleaning cartridge for reverse osmosis system	00985101
Water pressure		
Not shown	Water pressure regulator (25 psi)	501781
Cleaning/Sanitizing		
Not shown	SafeCLEAN ice machine cleaner, carton of 24 x 7 oz packets	00132001
Not shown	Sponge, sanitary, each	00131524
IMS-II or IMS-III sanitizing concentrate		
Not shown	16 oz. bottle	00979674
	Case of 12 x 16 oz. bottles	01038652
	Sponge, sanitary, pack of 24	01075431

Rejestracja gwarancji i ocena sprzętu

Dziękujemy za zakup urządzenia firmy Follett. Mamy nadzieję, że nasze urządzenia spełniają i przekraczają Państwa oczekiwania, gdyż naszym celem jest dostarczenie klientom wysoce wartościowych produktów i usług, zasługujących na ich pełne uznanie.

Prosimy zapoznać się z załączoną instrukcją instalacji i obsługi. Istotne jest przeprowadzenie instalacji zgodnie z wymogami producenta, co zapewni działanie urządzenia z maksymalną wydajnością.

Follett LLC nie będzie ponosić odpowiedzialności za szkody wtórne, wydatki, koszty podłączania lub odłączania lub jakiegokolwiek straty wynikające z wady urządzenia.

Aby uzyskać szczegółowe informacje na temat warunków gwarancji, prosimy odwiedzić naszą stronę internetową www.follettice.com/productwarranties.

Rejestracja gwarancji i ocena urządzenia to istotne czynności, ułatwiające nam utrzymanie aktualnych danych o miejscach instalacji naszych urządzeń i o ich działaniu. Prosimy o zarejestrowanie gwarancji na nabyte urządzenie firmy Follett na naszej witrynie www.follettice.com/support, gdzie należy wybrać Warranty Registration (Rejestracja gwarancji) i Equipment Evaluation (Ocena urządzenia). Jest to łatwe i nieskomplikowane, prosimy o znalezienie na to paru minut jeszcze dzisiaj. Na formularzu jest również miejsce na przekazanie nam komentarzy i informacji zwrotnych. Proszę podzielić się z nami swoimi wrażeniami, abyśmy mogli wykorzystać je w naszych ciągłych dążeniach do usprawnień.

Jesteśmy dumni z naszych znakomitych urządzeń i staramy się usilnie wspierać je znakomitą obsługą klienta i wsparciem technicznym. Chcielibyśmy wiedzieć, w jaki jeszcze sposób moglibyśmy Państwu pomóc. Z przyjemnością odpowiemy na Państwa pytania.

Registro de Garantía y Evaluación del Equipo

Gracias por haber elegido este producto Follett®. Esperamos que nuestro equipo cumpla o supere sus expectativas porque es nuestro objetivo ofrecer productos y servicios de gran valor que se ganen su plena confianza.

Le rogamos consulte el manual de instalación y de instrucciones adjunto, ya que es muy importante que la instalación se realice según las especificaciones de fábrica para que el equipo funcione a su máxima eficiencia.

Follett LLC no se hace responsable de los daños indirectos, costos, gastos por conexión y desconexión o pérdidas por causa de defecto de la máquina.

Si desea una información más completa sobre la garantía, visite nuestro sitio web www.follettice.com/productwarranties.

Las operaciones de registro de la garantía y evaluación del equipo son importantes para que podamos realizar un seguimiento de nuestro equipo y registrar el rendimiento de la maquinaria. Por favor, registre las garantías del equipo Follett en nuestro sitio web www.follettice.com/support y seleccione Registro de la Garantía y Evaluación del Equipo. Es muy sencillo, solo le llevará un momento realizar hoy mismo el registro. En el formulario incluimos un espacio en blanco para sus comentarios y opiniones. Infórmenos sobre su experiencia para que podamos incorporarla a nuestros continuos esfuerzos de mejora.

Nos enorgullecemos de producir un equipo excepcional y trabajamos duro para respaldarlo con un soporte técnico y un servicio de atención al cliente de primera. Le rogamos nos indique qué más podemos hacer para ayudarlo. Estaremos encantados de responder a sus dudas.

Enregistrement de la garantie et évaluation de l'équipement

Merci d'avoir acheté un équipement Follett®. Notre objectif étant d'offrir des produits et des services de grande valeur vous satisfaisant pleinement, nous espérons que celui-ci satisfera, voire dépassera, vos attentes !

Veillez consulter le manuel d'installation et d'exploitation. Il est important que l'installation soit réalisée conformément aux spécifications de l'usine, de sorte que votre équipement fonctionne à son rendement maximum.

Follett LLC n'est pas responsable de tout dommage consécutif, de toute dépense, de tout frais de raccordement ou de déconnexion, ni de toute perte liée à un défaut de la machine.

Pour lire la garantie dans son ensemble, visitez notre site Internet www.follettice.com/productwarranties.

L'enregistrement de la garantie et l'évaluation de l'équipement sont importants pour nous aider à suivre notre équipement et pour enregistrer les performances de la machine. Nous vous demandons donc d'enregistrer la garantie de votre équipement Follett sur notre site Internet, www.follettice.com/support, dans la section Warranty Registration and Equipment Evaluation. Cette opération est simple ; veuillez prendre un moment pour la réaliser aujourd'hui.

Le formulaire contient également un espace pour nous faire parvenir vos commentaires et un retour d'informations. Veuillez nous faire part de votre expérience pour que nous puissions prendre appui dessus pour poursuivre nos efforts constants d'amélioration.

Nous sommes fiers de produire des équipements exceptionnels et nous travaillons avec acharnement pour y associer une assistance à la clientèle et technique exceptionnelle. N'hésitez pas à nous indiquer dans quelle mesure nous pouvons vous aider. Nous serions ravis de répondre à vos questions.

Garantieregistrierung und Produktbeurteilung

Vielen Dank, dass Sie sich für ein Follett®-Produkt entschieden haben. Wir hoffen, dass unser Produkt Ihre Erwartungen erfüllen oder sogar übertreffen wird, weil wir uns zum Ziel gesetzt haben, hochwertige Produkte und Leistungen anzubieten, die Ihre uneingeschränkte Anerkennung verdienen werden!

Lesen Sie sich bitte die beiliegende Installations- und Betriebsanleitung durch. Es ist wichtig, dass die Installation entsprechend den Werksangaben erfolgt, damit Ihr Produkt mit maximalem Wirkungsgrad arbeiten kann.

Follett LLC ist nicht für Folgeschäden, Ausgaben, Gebühren für Anschluss oder Abschaltung oder Verluste aufgrund eines Defekts der Maschine haftbar.

Vollständige Garantieinformationen finden Sie auf unserer Website unter www.follettice.com/productwarranties.

Garantieregistrering og Produktbeurteilung sind wichtig, damit wir einen Überblick über unsere Produkte behalten und ihre Effizienz bewerten können. Wir möchten Sie bitten, Garantien für Follett-Produkte auf unserer Website www.follettice.com/support zu registrieren und den Punkt „Garantieregistrering und Produktbeurteilung“ zu wählen. Es ist ganz einfach. Nehmen Sie sich bitte einen Moment Zeit, um die Registrierung heute vorzunehmen. Auf dem Formular ist auch Platz für Kommentare und Feedback vorhanden. Teilen Sie uns bitte Ihre Erfahrungen mit unseren Produkten mit, damit wir sie für unsere fortlaufenden Produktverbesserungen verwenden können.

Wir sind stolz darauf, dass wir besondere Produkte herstellen, und wir bemühen uns, unsere Produkte mit besonderem Kundendienst zu unterstützen. Lassen Sie uns bitte wissen, was wir noch für Sie tun können. Wir werden Ihre Fragen gerne beantworten.

Registrazione della garanzia e valutazione dell'attrezzatura

Grazie per aver acquistato un dispositivo Follett®. Ci auguriamo che il nostro prodotto soddisfi o superi le Sue aspettative, in quanto il nostro obiettivo è quello di offrire prodotti e servizi di alta qualità che soddisfino pienamente le vostre esigenze!

La preghiamo di leggere attentamente il manuale per l'installazione e per l'uso allegato. È infatti importante che l'installazione sia effettuata secondo le specifiche di fabbrica in modo tale che il dispositivo operi con la massima efficienza.

La Follett LLC non si assume alcuna responsabilità per danni conseguenti, spese, costi di collegamento o scollegamento o eventuali perdite dovute ad un difetto della macchina.

Per visualizzare i dettagli completi relativi alla garanzia, recarsi alla pagina www.follettice.com/productwarranties.

La registrazione della garanzia e la valutazione dell'attrezzatura sono importanti per aiutarci a tenere traccia dei nostri dispositivi e a registrare le prestazioni della macchina. Le chiediamo dunque di registrare le garanzie relative al dispositivo Follett sul nostro sito Web alla pagina www.follettice.com/support scegliendo Registrazione della garanzia e Valutazione dell'attrezzatura. Farlo è semplice; dedichi pochi minuti a registrare il prodotto oggi stesso. Sul modulo è inoltre previsto uno spazio in cui potrà fornirci i Suoi commenti e il Suo riscontro. Ci faccia sapere della Sua esperienza in modo che possiamo farne tesoro per il nostro continuo miglioramento.

Siamo orgogliosi di produrre macchinari di ottima qualità e lavoriamo sodo per offrire un servizio di assistenza clienti e tecnico di qualità altrettanto elevata. Ci faccia sapere come possiamo esserle di aiuto. Saremo lieti di rispondere a tutte le Sue domande.

Registo da garantia e avaliação do equipamento

Obrigado por ter adquirido equipamento Follett®. Fazemos votos de que o nosso equipamento cumpra ou exceda as suas expectativas, dado que temos por objetivo fornecer produtos e serviços de elevado valor que mereçam a sua total satisfação!

Pedimos-lhe que leia o manual de instalação e operações em anexo. É importante que a instalação seja levada a cabo de acordo com as especificações da fábrica, para que o seu equipamento funcione com a eficiência máxima.

A Follett LLC não assume a responsabilidade por quaisquer prejuízos indiretos, despesas, custos de ligação ou desligação ou quaisquer outras perdas decorrentes de um defeito na máquina.

Para consultar os dados da garantia, visite o nosso website www.follettice.com/productwarranties.

O registo da garantia e a avaliação do equipamento são importantes para nos ajudar a estar a par do nosso equipamento e registar o desempenho da máquina. Pedimos-lhe que registe as garantias de equipamento Follett no nosso website www.follettice.com/support, em “Warranty Registration and Equipment Evaluation”. É muito simples; tire uns minutos para fazer o registo hoje mesmo. O formulário inclui também espaço para os seus comentários e feedback. Conte-nos a sua experiência para que possamos usá-la nos nossos esforços contínuos de melhoria.

Temos muito orgulho em produzir equipamento excepcional e empenhamo-nos em proporcionar um apoio técnico e um apoio ao cliente igualmente excecionais. Diga-nos o que mais podemos fazer para o ajudar. Teremos todo o prazer em responder às suas perguntas.

Registrering af garanti og evaluering af udstyr

Tak for dit køb af Follett®-udstyr. Forhåbentlig synes du, at vores udstyr lever op til eller overstiger dine forventninger, for vores målsætning er at levere produkter og serviceydelser af høj kvalitet, som du er fuldstændig tilfreds med!

Gennemlæs venligst den vedlagte installations- og driftsmanual. Det er vigtigt at installationen udføres i henhold til fabrikkens specifikationer, så dit udstyr kan fungere med maksimal effektivitet.

Follett LLC hæfter ikke for følgeskader, udgifter, tilslutnings- eller frakoblingsomkostninger eller nogen form for tab, der skyldes en maskindefekt.

Du kan læse de fulde oplysninger om garantien på vores website www.follettice.com/productwarranties.

Registrering af garantien og evaluering af udstyret er vigtigt for at hjælpe os med at følge op på vores udstyr og registrere maskinens ydelse. Vi beder dig registrere garantier på Follett-udstyr på vores website www.follettice.com/support og vælge Warranty Registration and Equipment Evaluation (Registrering af garanti og evaluering af udstyr). Det er nemt at gøre, så vi beder dig bruge et øjeblik på at registrere dig i dag. Formularen har også plads til, at du kan give os kommentarer og feedback. Fortæl os om dine erfaringer, så vi kan bruge dem i vores fortsatte bestræbelser på at forbedre os.

Vi sætter en ære i at fremstille udstyr i særklasse og arbejder hårdt på at kunne bakke udstyret op med fremragende kundeservice og teknisk support. Fortæl os, hvad vi ellers kan gøre for at hjælpe dig. Vi svarer gerne på dine spørgsmål.

Registratie van garanties en beoordeling van apparatuur

Gefeliciteerd met uw aankoop van Follett®-apparatuur. We hopen dat onze apparatuur uw verwachtingen invult of zelfs overstijgt, omdat we ernaar streven om hoogwaardige producten en diensten te leveren die u uitermate tevreden stellen!

Lees de bijgevoegde installatie- en bedieningshandleiding zorgvuldig door. Het is belangrijk dat de installatie uitgevoerd wordt volgens de fabrieksspecificaties, zodat uw apparatuur zo efficiënt mogelijk werkt.

Follett LLC is niet aansprakelijk voor enige gevolgschade, uitgaven, montage- of demontagekosten of enige door een defect van de machine geleden verliezen.

Bezoek onze website www.follettice.com/productwarranties voor alle garantiegegevens.

De registratie van garanties en de beoordeling van apparatuur is belangrijk voor ons om onze apparatuur te helpen traceren en de prestaties van de machine te registreren. We verzoeken u dan ook om garanties van Follett-uitrusting te registreren op onze website www.follettice.com/support en om "Warranty Registration" (Registratie van garanties) en "Equipment Evaluation" (Beoordeling van apparatuur) te kiezen. Gelieve hier even tijd voor vrij te maken. Het is namelijk zeer eenvoudig. Er is op het formulier ook plaats om opmerkingen en feedback te geven. Breng ons gerust op de hoogte over uw ervaring met onze apparatuur, zodat we ons kunnen blijven verbeteren.

We zijn trots op onze productie van uitstekende apparatuur en werken hard om dit bij te staan door een voortreffelijke klantendienst en technische ondersteuning. Aarzel echter niet om enige andere bijstand te vragen. We zullen uw vragen met plezier beantwoorden.

Garantiregistrering och utvärdering av utrustning

Tack för att du köpt utrustning från Follett®. Vi hoppas att du ska tycka att den uppfyller eller överträffar dina förväntningar, då vårt mål är att leverera produkter och tjänster av högt värde som gör dig helt nöjd!

Studera medföljande installations- och bruksanvisning. Det är viktigt att installationen genomförs enligt fabrikens anvisningar så att din utrustning arbetar med högsta effektivitet.

Follett LLC ansvarar inte för följdskador, kostnader, avgifter eller förluster som orsakats av fel på maskinen.

Fullständiga garantivillkor finns på vår hemsida www.follettice.com/productwarranties.

Garantiregistrering och utvärdering av utrustning är viktig för oss så att vi kan följa upp vår utrustning och dess funktion. Vi vill att du registrerar Folletts utrustningsgaranti på vår hemsida www.follettice.com/support, där du väljer Garantiregistrering och produktutvärdering. Det är enkelt att göra, så ta dig tid en minut och registrera dig idag. Det finns också utrymme på blanketten för kommentarer och synpunkter. Berätta för oss vad du tycker så att vi kan använda det i våra ansträngningar att alltid bli bättre.

Vi är stolta över att producera överlägsen utrustning och vi arbetar hårt med att stötta den med överlägset kundansvar och tekniskt stöd. Tala om för oss vad vi kan göra mer för att hjälpa dig. Vi svarar gärna på dina frågor.

Warranty Registration and Equipment Evaluation

Thank you for purchasing Follett® equipment. We hope you find that our equipment meets or exceeds your expectations, as our goal is to deliver high value products and services that earn your complete satisfaction!

Please review the enclosed installation and operations manual. It is important that the installation be performed to factory specifications, so your equipment operates to its maximum efficiency.

Follett LLC will not be liable for any consequential damages, expenses, connecting or disconnecting charges or any losses resulting from a defect of the machine.

For full warranty details, visit our website www.follettice.com/productwarranties.

Warranty registration and equipment evaluation is important to help us keep track of our equipment and to record the machine's performance. We request that you register Follett equipment warranties on our website www.follettice.com/support and choose Warranty Registration and Equipment Evaluation. It's simple to do; please take a moment to register today. There is also space on the form to provide us with comments and feedback. Please let us know about your experience so we can capture it for our continuous improvement efforts.

We pride ourselves on producing outstanding equipment and we work hard to back it up with outstanding customer and technical support. Please let us know what else we can do to assist you. We would be happy to answer your questions.

SafeCLEAN, SensorSAFE, Maestro Plus, Symphony Plus, Quiet Night and Sani-Sponge are trademarks of Follett LLC. Follett and RIDE are registered trademarks of Follett LLC, registered in US.