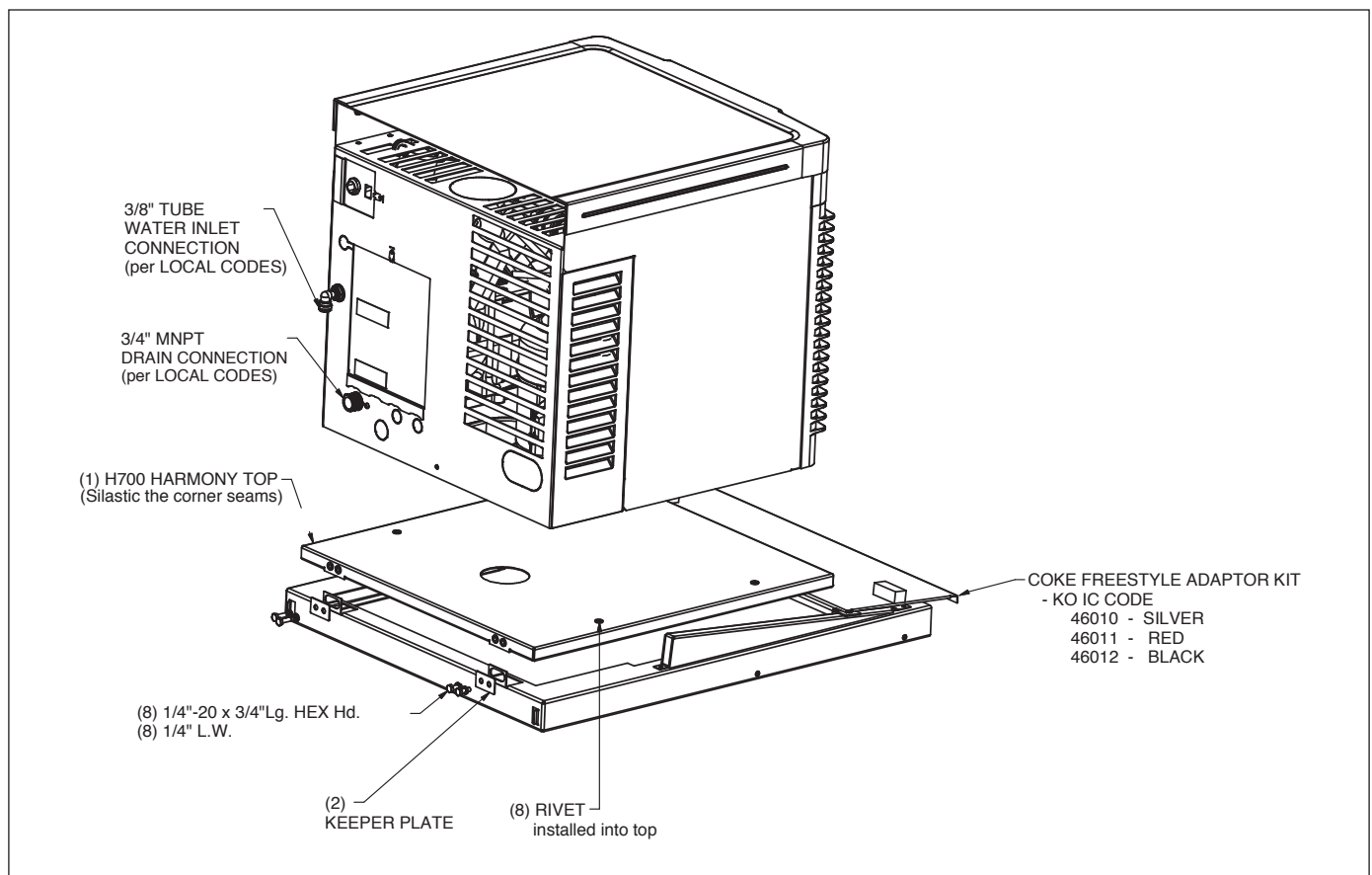


## Installation

1. Assemble Coke adaptor kit to top of dispenser.
2. Install Harmony top using 1/4-20 hardware and keeper plates provided through the back slots of the Coke adaptor plate.
3. Install Horizon 700 ice machine docking station onto Harmony top using the additional 1/4-20 hardware provided. Follow instructions per ice machine installation manual.
4. Mount the shuttle actuator, ice transport tube with clamps and extension tube per ice machine installation manual.
5. Make utility connections per local codes.
6. **AGITATION SETTING ADJUSTMENT:** Follett and Coca-Cola have determined that the agitation setting must be adjusted to ensure proper performance - Agitation Setting: 1 second agitation every hour. Please contact your Coca-Cola representative to have the agitation setting adjusted.



\* Coca-Cola and Freestyle are registered trademarks of The Coca-Cola Company.

Follett is a registered trademark of Follett Corporation, registered in US.

Follett is a registered trademark of Follett Corporation, registered in US.

---



801 Church Lane • Easton, PA 18040, USA  
Toll free (877) 612-5086 • +1 (610) 252-7301  
[www.follettice.com](http://www.follettice.com)

01065382R01  
© Follett Corporation 4/16