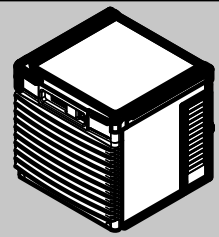


Horizon™ Ice Machine Installation Instructions to Ice Storage Bin Top-mount Applications

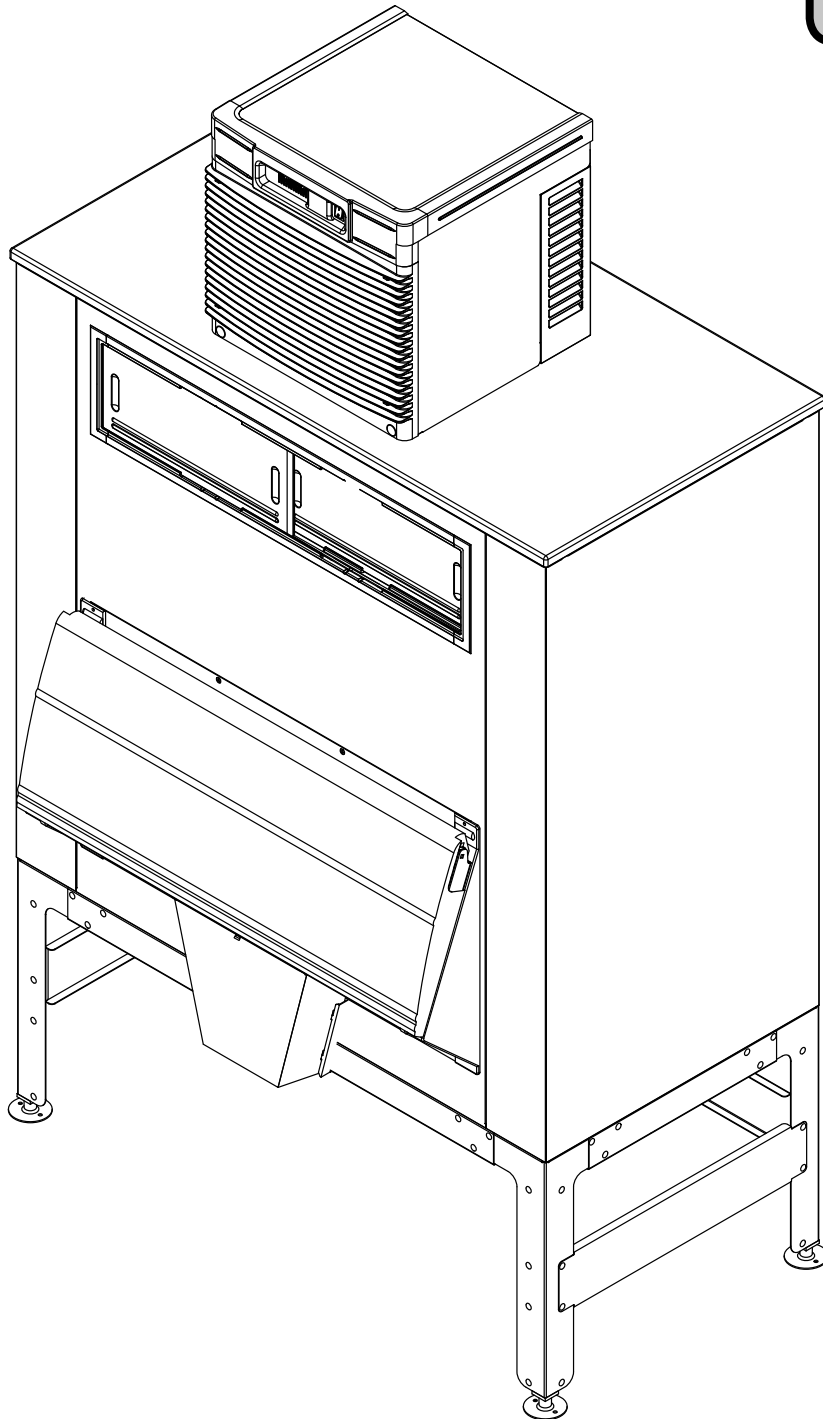
H_C700ABT, H_C700WBT,
H_D700ABT, H_D700WBT,
H_E700ABT, H_E700WBT,

(See model number configurator on page 2 for details.)



self-contained

Order parts online
www.follettice.com



Chewblet® Ice Machine Model Number Configurations

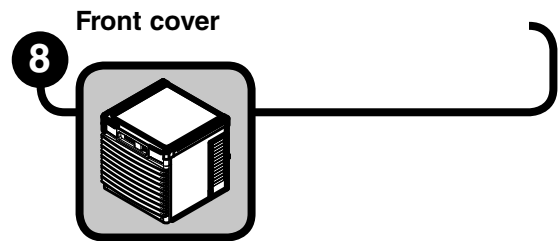
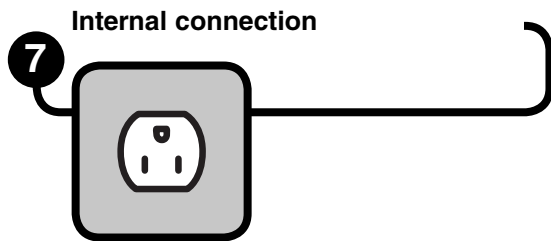
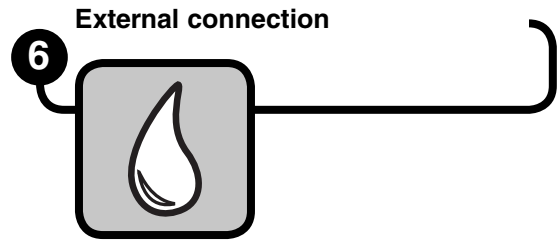
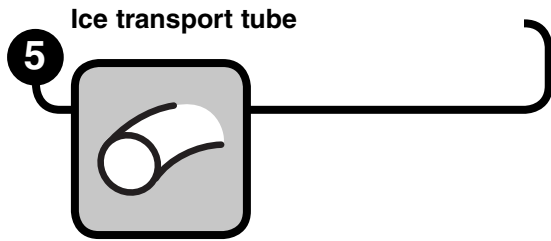
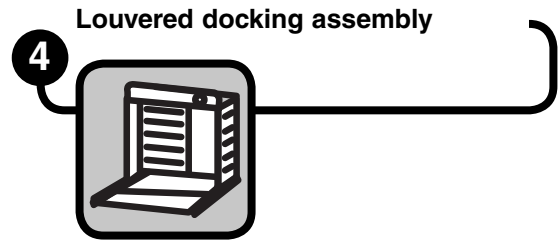
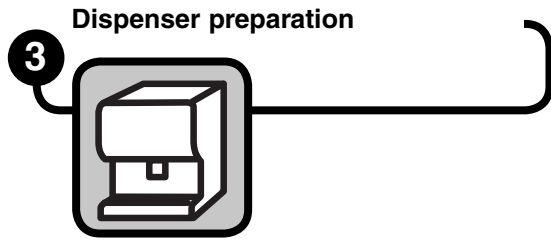
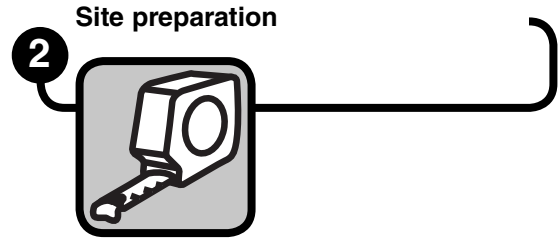
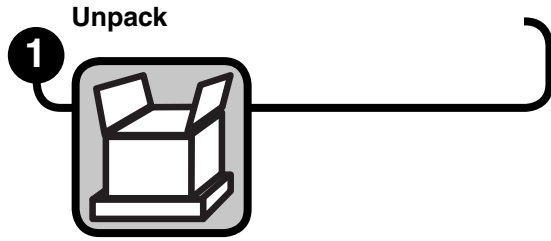
HC
C
700
A
V
S

| Machine | Voltage | Series | Condenser | Application | Configuration |
|--|---|---|---|---|--|
| MC Maestro™ Chewblet (400 Series) | C 208-230/60/1 (icemaking head) <i>Self-contained only.</i> | 400 up to 454 lbs (206kg) | A Air-cooled, self-contained W Water-cooled, self-contained | V Vision™ H Harmony™ | S RIDE® (RIDE remote ice delivery equipment) |
| HC Horizon Chewblet (1000, 1400, 1650 Series) | D 115/60/1 (icemaking head) <i>Self-contained and remote. If remote unit, high side is 208-230/60/1.</i> | 700 up to 750 lbs (340kg) | R Air-cooled, remote condensing unit N Air-cooled, no condensing unit for connection to parallel rack system | B Ice storage bin J Drop-in M Ice Manager™ diverter valve system | T Top-mount |
| HM Horizon Micro Chewblet | E 230/50/1 (icemaking head) <i>Self-contained only.</i> F 115/60/1 (icemaking head) <i>Remote only. High side is 208-230/60/3.</i> | 1000 up to 1036 lbs (471kg) 1400 up to 1450 lbs (658kg) 1650 up to 1580 lbs (717kg) | | | |

⚠ CAUTION!

- This appliance should be permanently connected by a qualified person in accordance with application codes.
- If the supply cord is damaged, it must be replaced by the manufacturer, its service agent or similarly qualified persons in order to avoid a hazard.
- Connect to potable water supply only.
- This appliance can be used by children aged 8 years and above and persons with reduced physical, sensory, or mental capabilities, or lack of experience and knowledge if they have been given supervision or instruction concerning use of the appliance in a safe way and understand the hazards involved. Children should be supervised to ensure that they do not play with the appliance.
- This appliance is intended to be used for household and similar applications such as staff kitchen areas in shops, offices and other working environments; farm houses and by clients in hotels, motels and other residential type environments; bed and breakfast type environments; catering and similar non-retail applications.
- **WARNING!** To avoid a hazard due to instability of the appliance, it must be fixed in accordance with the instructions.

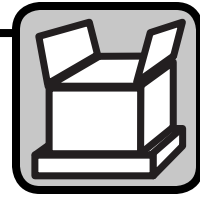
Read and complete the following 8 installation steps



Carefully unpack and inspect the contents of your Follett ice machine.

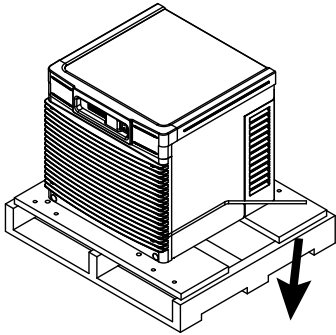
Unpack

1

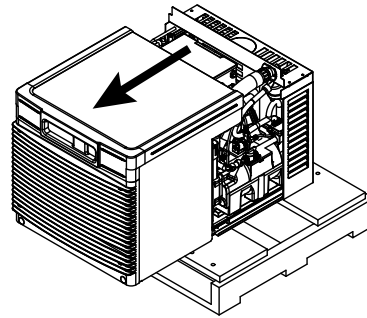


1.1 Unpack ice machine

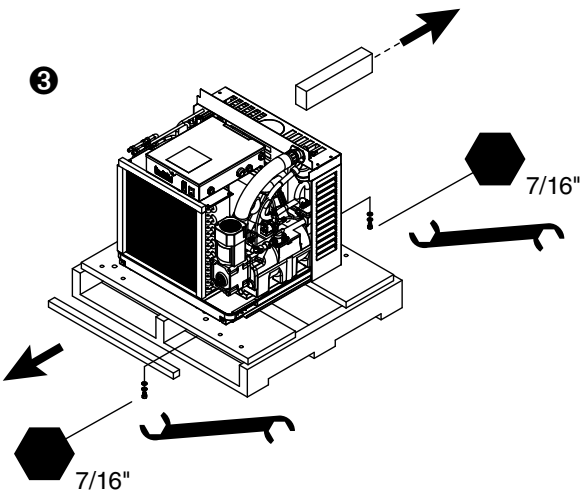
1



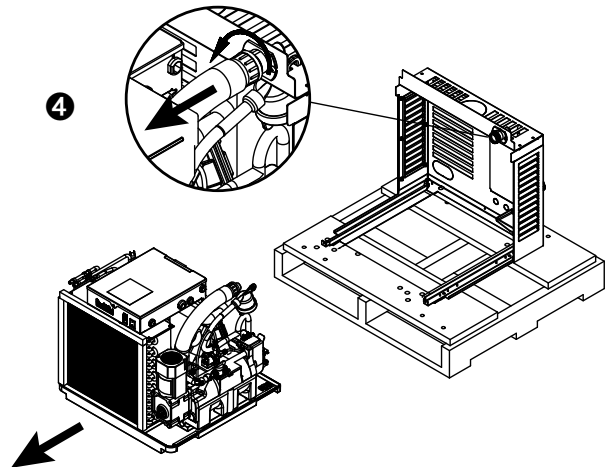
2



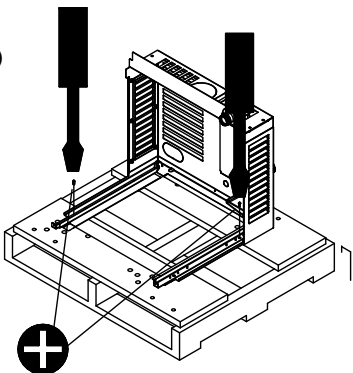
3



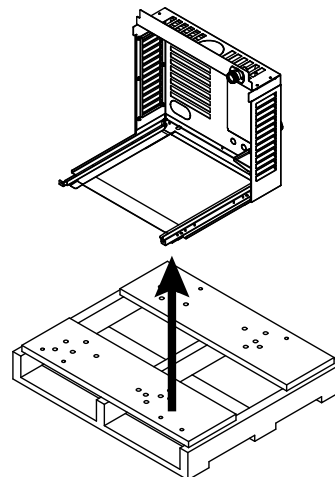
4



5

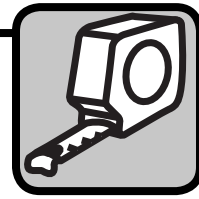


6

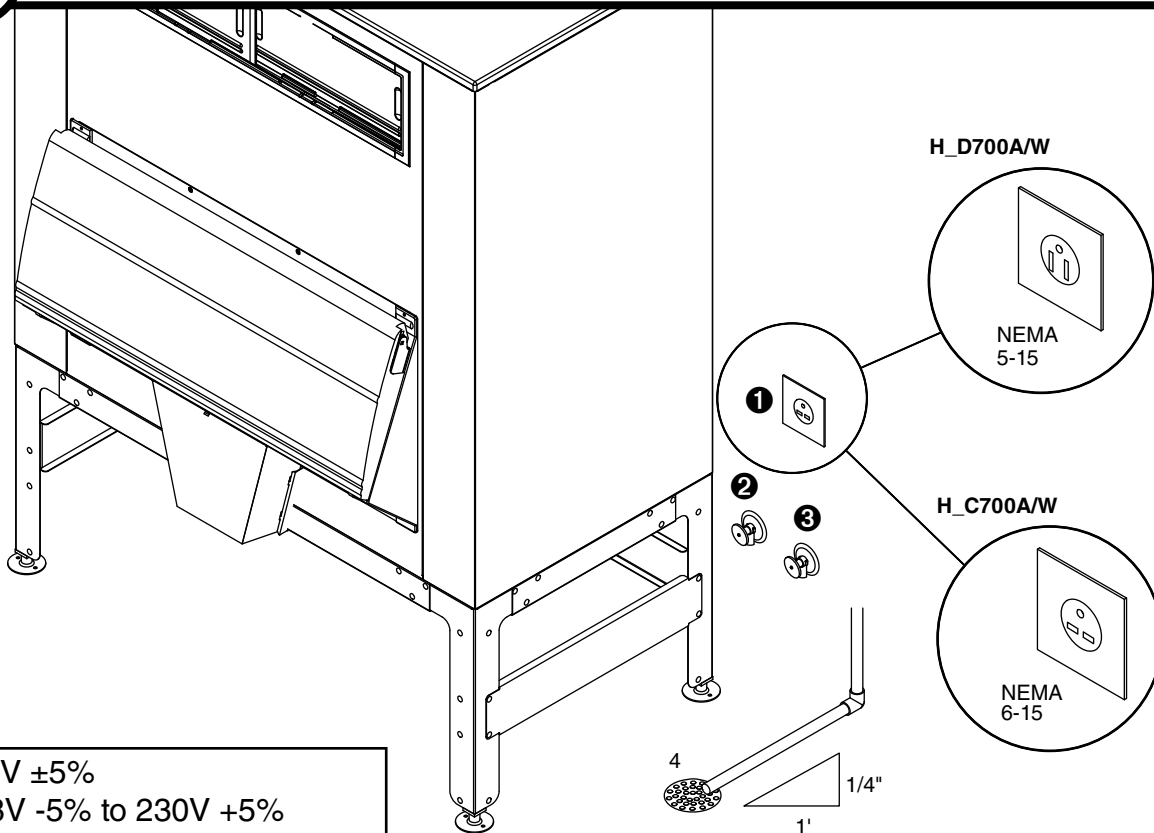


Prepare the installation site.

Provide drainage, potable water supply and electrical power to within 6 feet (2m) of ice machine in accordance with local and national codes. Outdoor installation is not recommended and will void warranty.



2.1 Installation site requirements



115V ±5%
208V -5% to 230V +5%

Electrical 1

- H_C700(A/W)BT 208-230/60/1-15 amp breaker (H_C700A/W Requires a 15 amp dedicated circuit)
- H_E700(A/W)BT 230/50/1-15 amp[‡] breaker (H_E700A/W Requires 15 amp circuit 1.50 mm² wire)
- H_D700(A/W)BT 115/60/1-15 amp breaker (H_D700A/W Requires a 15 amp dedicated circuit)

[‡] Plug must be provided by end user & must conform to standard EN 60 335-2-24 of the end destination.

Potable water supply 2

- 10-70 psi (69-483kpa)
- 45 to 90 F (7 to 32 C)
- Water supply must be treated by a scale-inhibiting filter (item# 00130286)

Condenser water supply for water-cooled systems 3

- 10 psi min.; 150 psi max. (69kpa min.; 1034kpa max.)
- 20 to 90 F (-7 to 32 C)
- 1.5 gallons per minute (5.68 liters per minute)

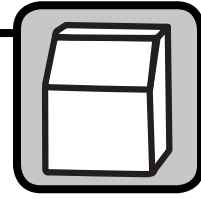
Drain 4

- The drain line from the ice machine must be vented and have at least 1/4" per foot (6,4mm/0,3m) pitch

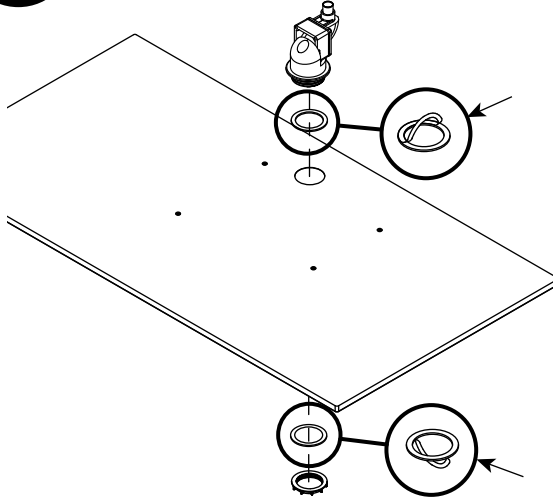
Prepare the bin.

Bin preparation

3

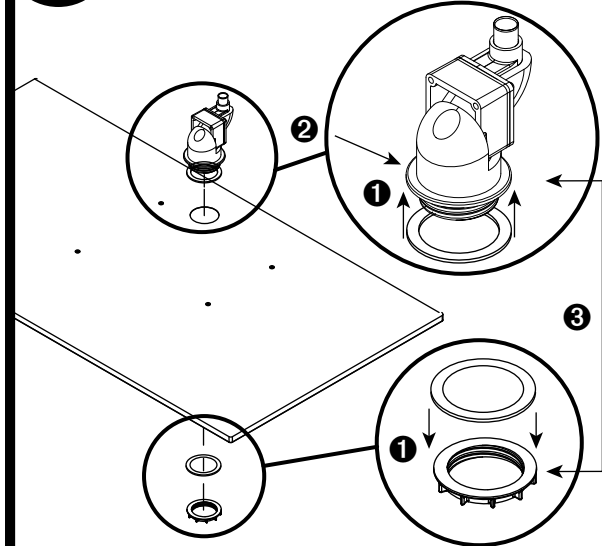


3.1 Bin top preparation



- Remove protective tape from gaskets

3.2 Bin top preparation



- Apply gaskets ①
- Install shuttle actuator ② through dispenser top and secure with locking nut ③

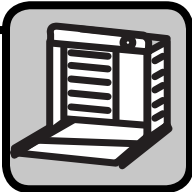
Louvered docking assembly

4

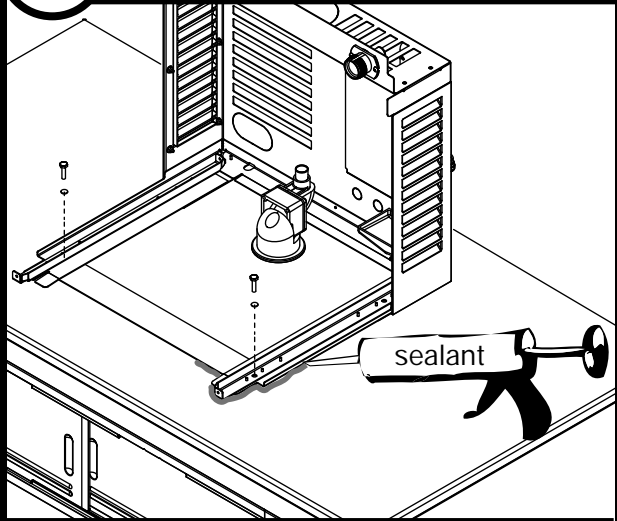
Install the louvered docking assembly.

WARNING!

- Docking station must be secured in accordance with these instructions to ensure ice machine stability.
- Ventilation openings in the louvered docking station should be clear of obstruction. Failure to do so could result in damage to equipment.



4.1 Louvered docking assembly

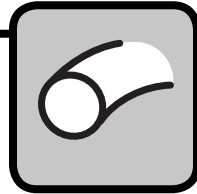


- Mount louvered docking assembly using two screws provided.
- Seal perimeter of docking station to mounting surface.

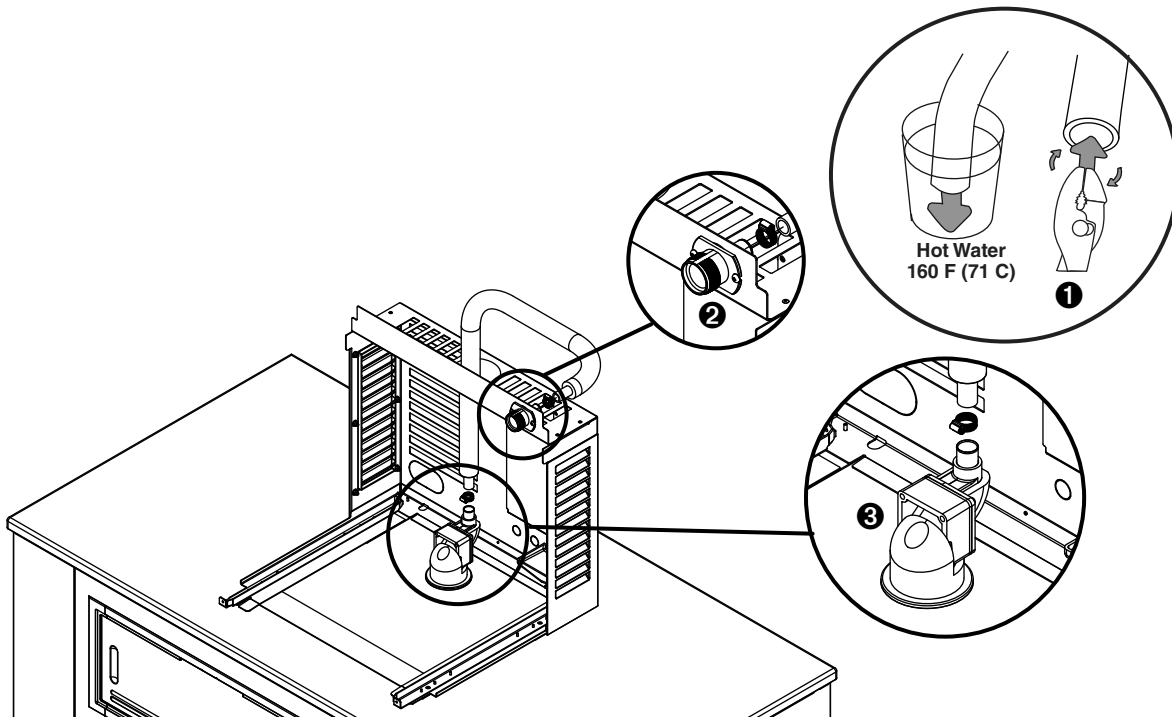
Install the ice transport tube.

Ice transport tube

5

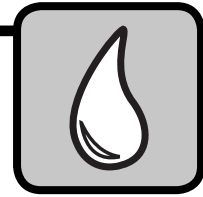


5.1 Ice transport tube installation.



- Cut transport tube to 26" (66 cm) length
- Install supplied ice transport tube insulation
- Heat end of transport tube in cup of 160 F (71 C) hot water to soften and spread with pliers ① before making connection to ease assembly
- Connect ice transport tube to coupling on louvered docking station ②
- Connect ice transport tube to shuttle actuator ③

Connect utilities to louvered docking assembly.



6.1 Air-cooled icemakers only

- Remove access panel if necessary
- Install drain line ①.
The rigid drain line from the ice machine must be vented and have at least 1/4" per foot (6,4mm/0,3m) pitch.
- Install ice machine potable water supply ②
(Water supply must be treated by a scale-inhibiting filter (item# 00130286))
- Replace access panel

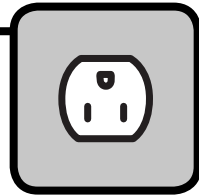
6.2 Water-cooled icemakers only

- Remove access panel if necessary
- Install drain line ①.
The rigid drain line from the ice machine must be vented and have at least 1/4" per foot (6,4mm/0,3m) pitch.
- Connect cooling water supply ② and return ③
- Install ice machine potable water supply ④
(Water supply must be treated by a scale-inhibiting filter (item# 00130286))
- Replace access panel

Connect ice machine to louvered docking assembly.

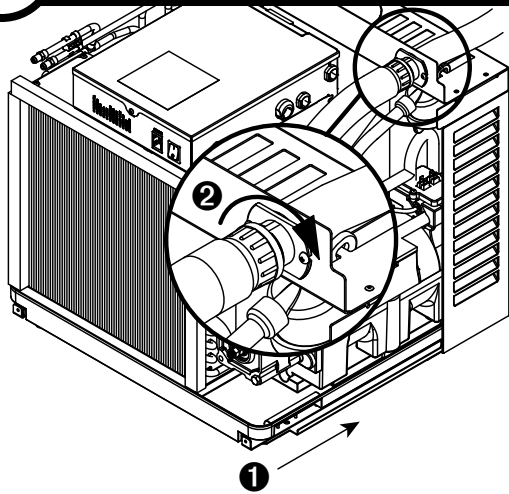
CAUTION!

- Plug must be accessible after final installation.



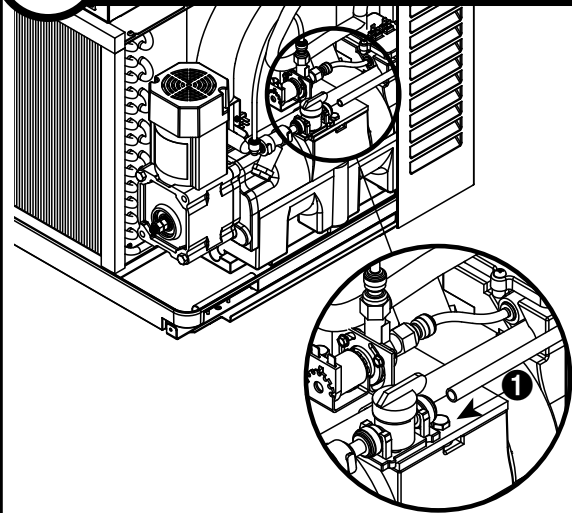
Air-cooled ice machines – follow steps 7.1 through 7.4.

7.1 Ice transport tube



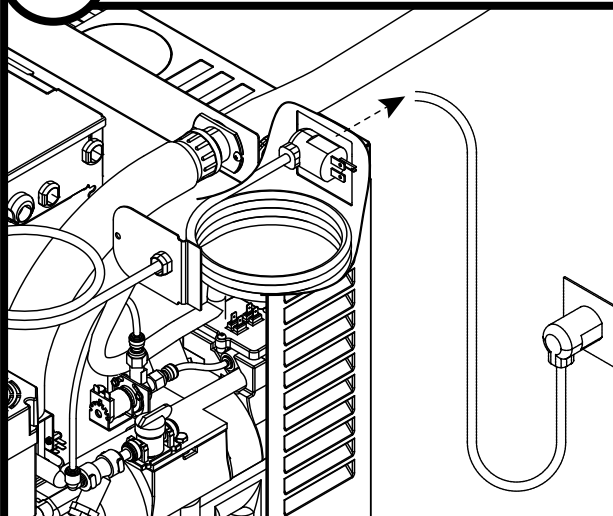
- Slide ice machine into louvered docking assembly **1**
- Insert ice transport tube all the way into coupling and tighten nut firmly **2**

7.2 Potable water and drain lines



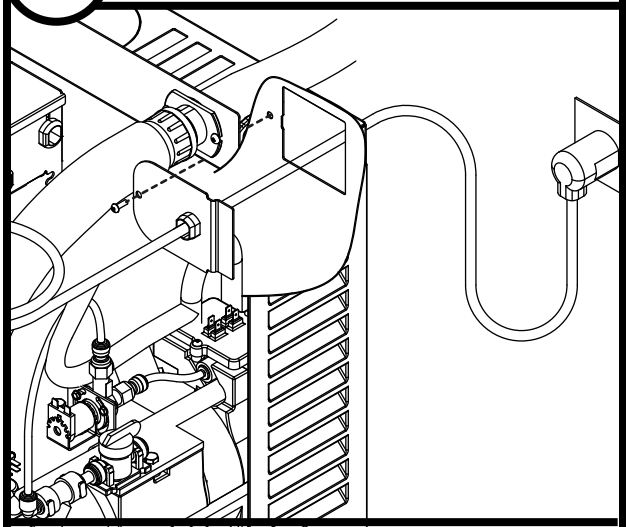
- Insert potable water line into valve **1**

7.3 Power cord



- Remove twist tie
- Carefully pass plug thru opening and plug into wall outlet

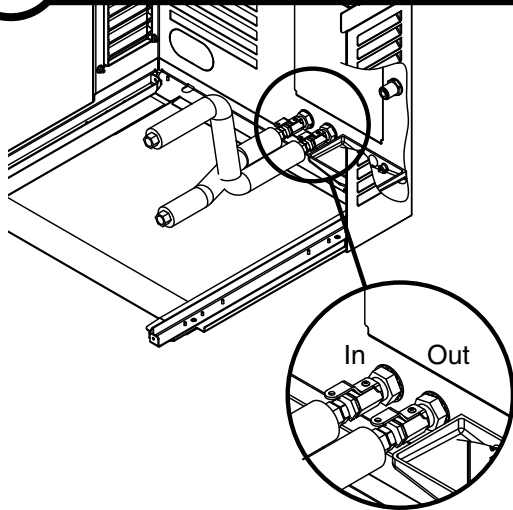
7.4 Power cord



- Position plate into opening and secure with supplied screw.

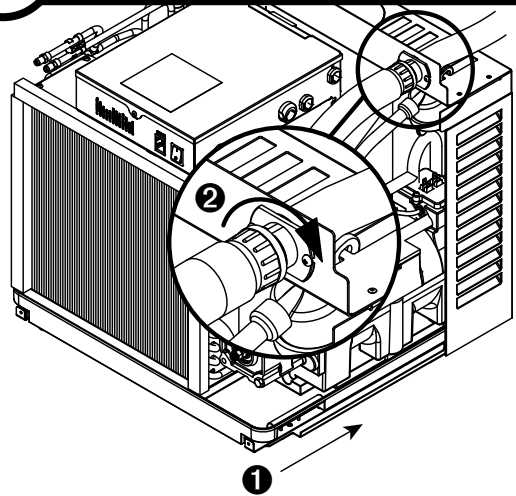
Water-cooled ice machines – follow steps 7.5 through 7.10.

7.5 Cooling lines



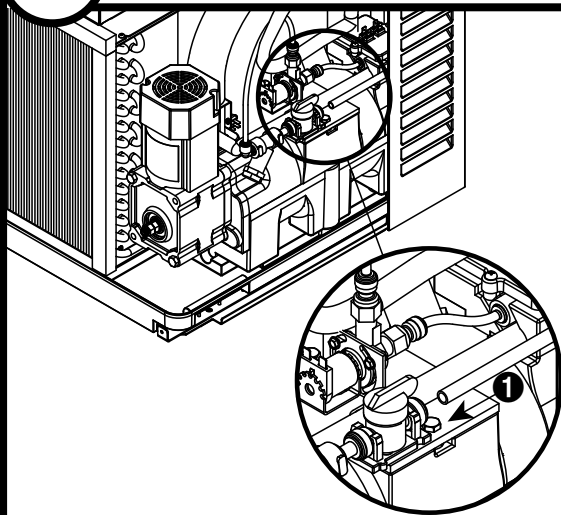
- Install ice machine cooling water lines to louvered docking assembly

7.6 Ice transport tube



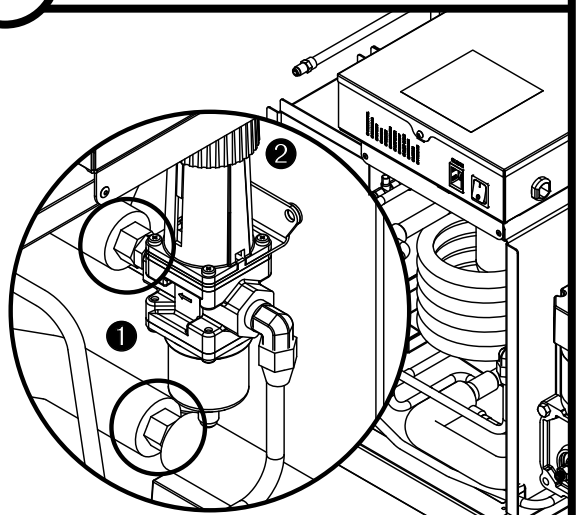
- Slide ice machine into louvered docking assembly ①
- Insert ice transport tube into coupling and tighten nut firmly ②

7.7 Potable water and drain lines



- Insert potable water line into valve ①

7.8 Cooling lines and power

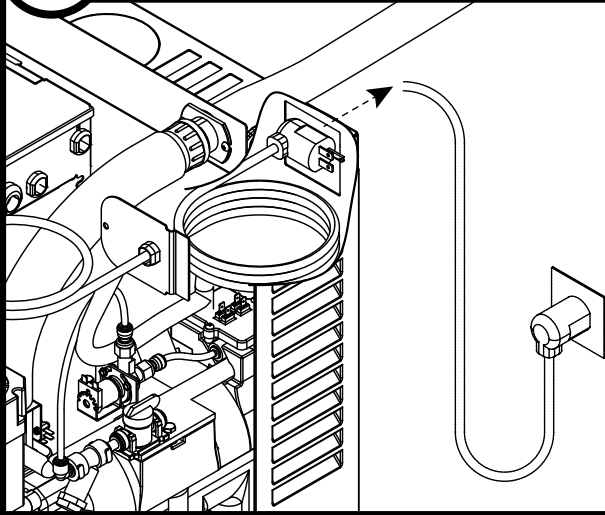


- Connect cooling water lines to ice machine ①
- Water valve is set at the factory. **DO NOT** remove seal or adjust water valve ②

⚠ WARNING!

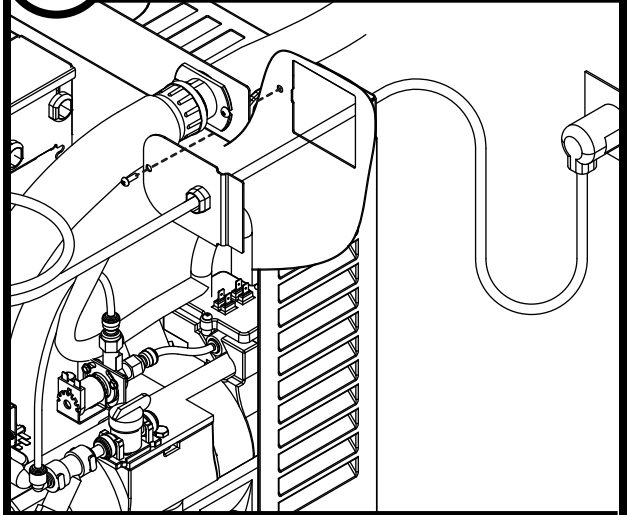
- This appliance should be permanently connected by a qualified person in accordance with application codes.
- If the supply cord is damaged, it must be replaced by the manufacturer, its service agent or similarly qualified persons in order to avoid a hazard.

7.9 Power cord



- Remove twist tie
- Carefully pass plug thru opening and plug into wall outlet

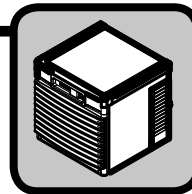
7.10 Power cord



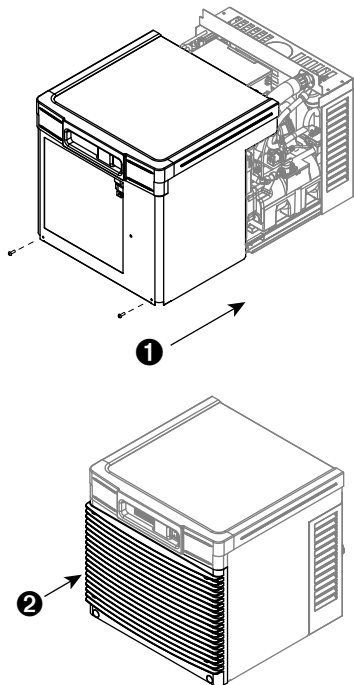
- Position plate into opening and secure with supplied screw

Install front cover to ice machine.

Front cover **8**



8.1 Install front cover



- Slide ice machine cover over machine, ensuring that tabs on back of cover slip under louvers on back of louvered docking assembly **1**, then tighten two screws through cover
- Place louvered front cover on machine **2**

NOTICE

- Ice machine **MUST** be sanitized prior to operation!
- Consult Operation and Service Manual provided with ice machine for sanitizing instructions.
- To prevent circuit breaker overload, wait 15 minutes before restarting this unit. This allows the compressor to equalize and the evaporator to thaw.

Horizon is a trademark of Follett Corporation.

Follett, RIDE and Chewblet are registered trademarks of Follett Corporation, registered in the US.



801 Church Lane • Easton, PA 18040, USA
Toll free (877) 612-5086 • +1 (610) 252-7301
www.follettice.com



00978767R01

© Follett Corporation 8/13