

For use with systems with no filter

ATTENTION!

These instructions are for Symphony Plus dispensers only.
Instructions for sanitizing Symphony Series dispensers are located on the reverse side of this document.



Description

Periodic cleaning/descaling and sanitizing of Follett's ice and water dispenser and ice machine system is required to ensure peak performance and delivery of clean, sanitary ice. Immediately perform Cleaning/Sanitizing procedure (according to instructions shipped with dispenser) when this Pressurized Water Sanitizing procedure is completed.

If you experience any problems during the installation process, please call Follett Technical Service toll-free at (877) 612-5086 or +1 (610) 252-7301 for assistance.

Materials Required

- (1) 1.5 Gallon (or larger) plastic bucket
- Sanitary gloves
- Safety glasses
- 1.6 fl oz of Nu-Calgon IMS-II Sanitizer (P/N 00979674 - 16 fl. oz bottle)

Materials Supplied

- (1) Pre-filter bowl
- (1) Filter head and bracket
- (1) Dip tube
- (1) 3/8" ID john guest tubing, 12' (3.6 m)
- (2) 1/2" NPT x 3/8" john guest fitting
- (1) 3/8" to 3/8" compression fitting

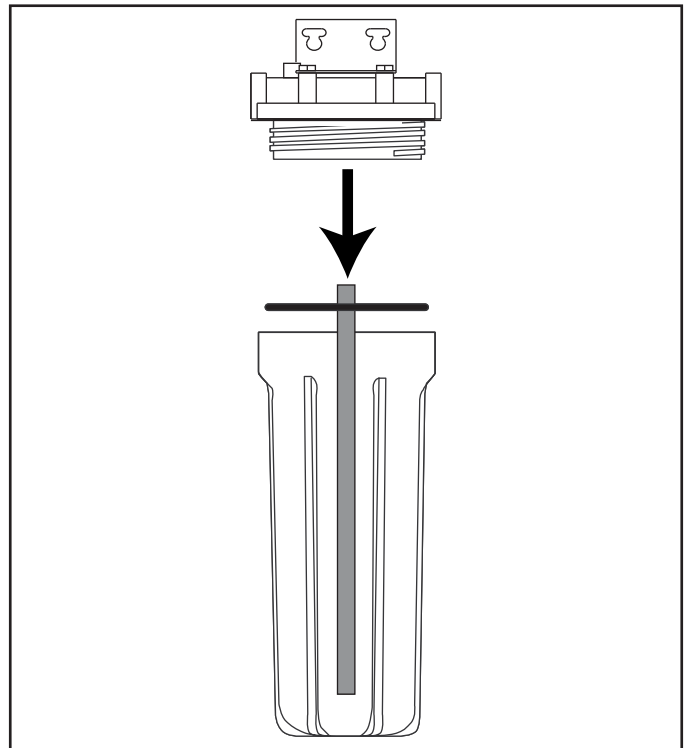
Sanitizing

CAUTION!

- *Immediately perform Cleaning/Sanitizing procedure (according to instructions shipped with dispenser) when Pressurized Water Sanitizing procedure is completed.*
- *Only qualified technicians should attempt to service or maintain this equipment.*
- *Wear rubber gloves and safety goggles (or face shield) when handling cleaner or sanitizer mixtures.*
- *Use only Follett approved cleaners.*
- *It is a violation of Federal law to use Sanitizing solution in a manner inconsistent with its labeling.*
- *Do not use solvents, abrasive cleaners, metal scrapers or sharp objects to clean any part of the dispenser.*

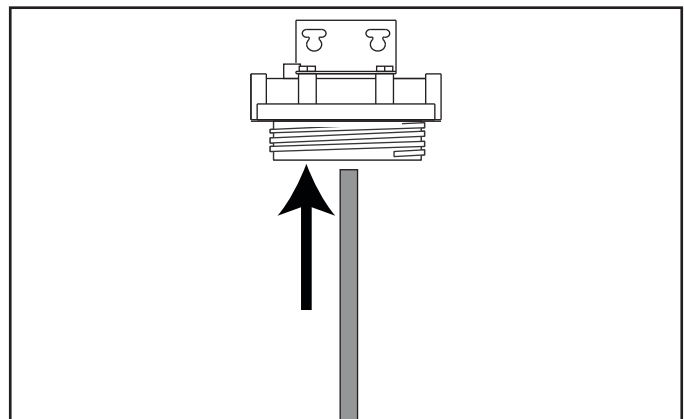
1. Unplug dispenser.
2. Turn OFF water supply.
3. Depress red pressure release button to relieve pressure.
4. Remove pre-filter bowl.

Fig. 1



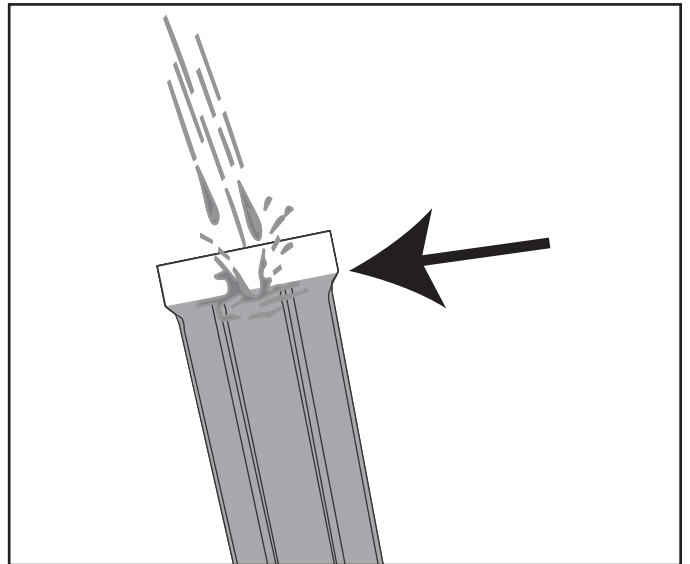
5. Install dip tube (Fig. 2).

Fig. 2



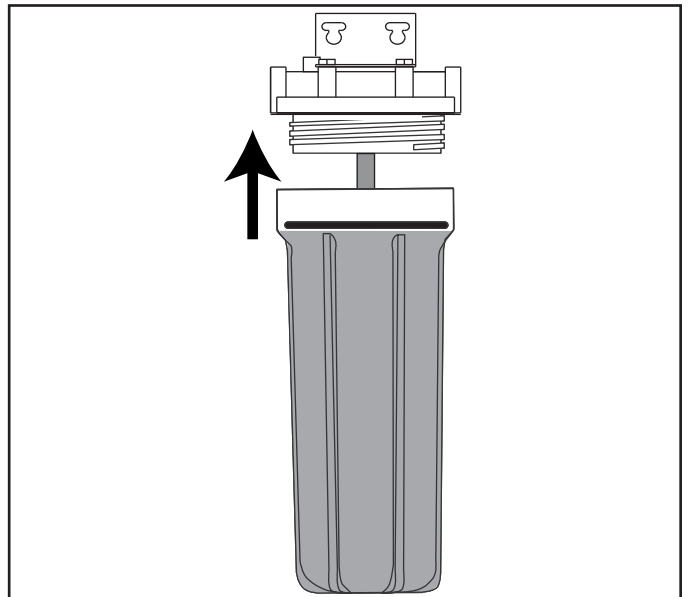
6. Mix a 200 ppm active quaternary sanitizing solution of 1 gal. (3.8 L) 100 F (38 C) water and 1.6 oz (47 ml) Nu-Calgon IMS-II Sanitizer (P/N 00979674).
7. Fill pre-filter bowl to just below the o-ring with sanitizing solution (**Fig. 3**).

Fig. 3



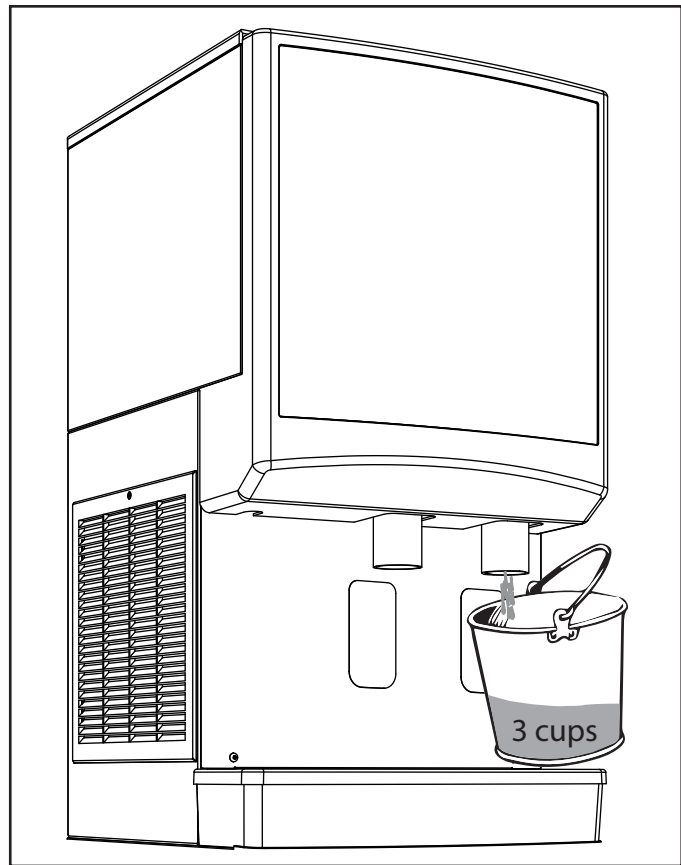
8. Re-install pre-filter bowl (**Fig. 4**).

Fig. 4



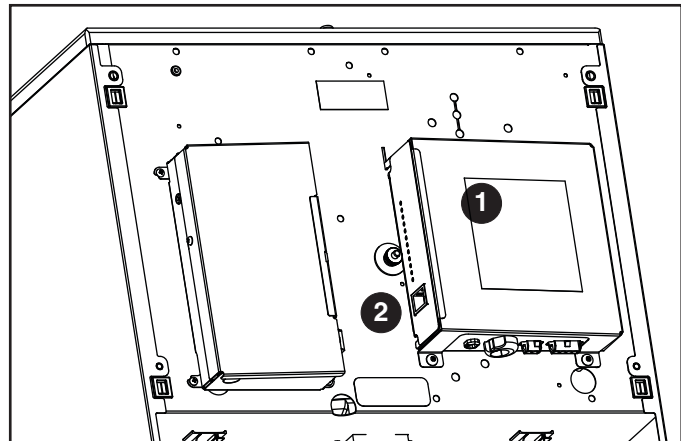
9. Turn ON water supply.
10. Plug in dispenser.
11. Dispense 3 cups (24 oz) of water into a container (**Fig. 5**). Sanitizer will fill the dispenser water lines.
Note: Maximum length of water line between dispenser and filter system must not exceed 30 ft. (9 m).
12. Discard water collected in container.

Fig. 5



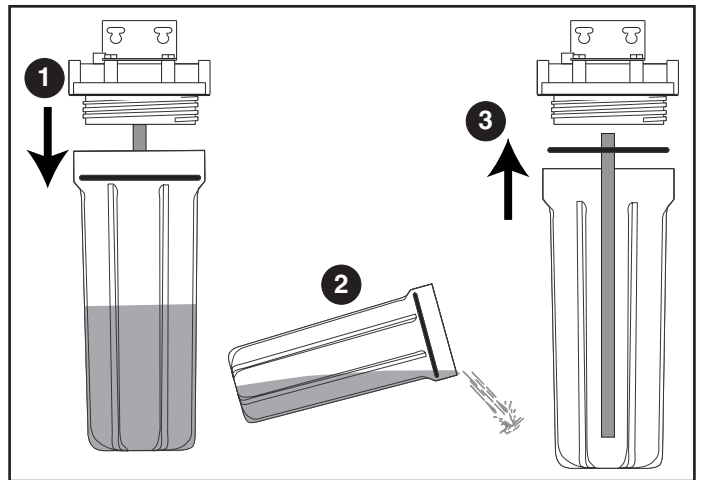
13. Remove the front cover and set aside.
14. Locate the ice machine electrical box (**Fig. 6.1**) and press **CLEAN** switch (**Fig. 6.2**). The **MAINTENANCE** light will turn on and the machine will drain.
15. Wait for the **LOW WATER** light to turn on.
16. Locate the dispenser electrical box and ensure that the BIN SIGNAL switch is ON.
17. Unplug the dispenser, wait 5 seconds and plug back in.
18. Ice machine will resume ice making mode (wait for **MAKING ICE** light to turn on) and sanitizer will fill the ice machine water lines and also the water reservoir.

Fig. 6



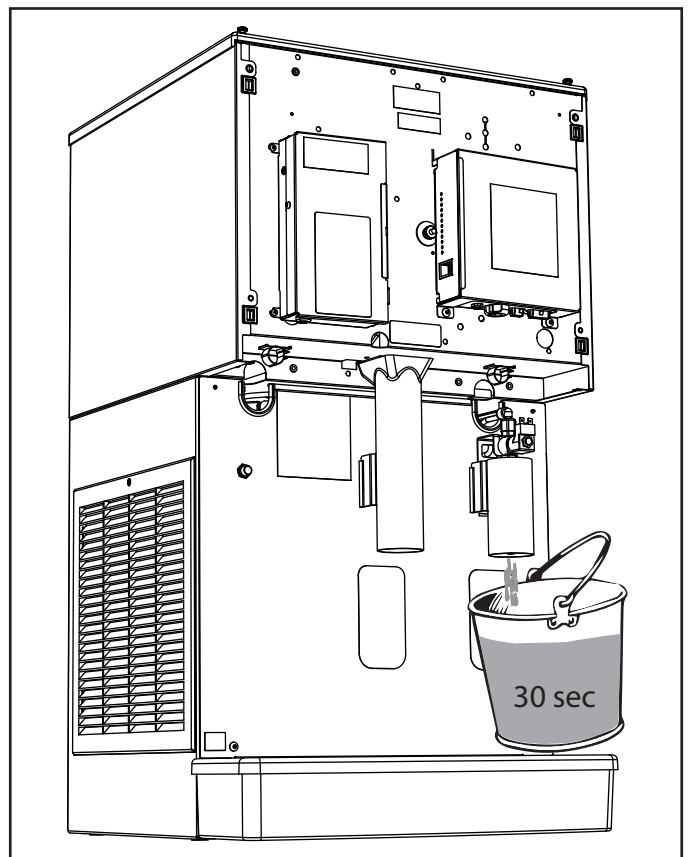
19. Unplug unit and allow sanitizer to remain in water lines and water reservoir for at least 5 minutes.
20. Turn OFF water supply.
21. Depress red pressure release button to relieve pressure.
22. Remove pre-filter bowl (Fig. 7.1), discard sanitizer (Fig. 7.2), rinse with potable water, and re-install (Fig. 7.3).

Fig. 7



23. Turn ON water supply.
24. Plug in dispenser and dispense water into a container for 30 seconds (Fig. 8) to flush sanitizer from the dispenser water lines.
25. Discard water collected in container.
26. Press the **CLEAN** switch to purge sanitizer from the water reservoir.
27. Wait for the **LOW WATER** light to turn on.
28. Unplug the dispenser, wait 5 seconds and plug back in.
29. Ice machine will resume ice making mode (wait for **MAKING ICE** light to turn on) and flush water reservoir lines.
30. Turn OFF the **BIN SIGNAL** switch.
31. Immediately perform Cleaning/Sanitizing procedure according to instructions shipped with dispenser.

Fig. 8



Follett is a registered trademark of Follett Corporation, registered in US.



801 Church Lane • Easton, PA 18040, USA
Toll free (877) 612-5086 • +1 (610) 252-7301
www.follettice.com

01089820R01
© Follett Corporation 6/15



801 Church Lane • Easton, PA 18040, USA
Toll free (877) 612-5086 • +1 (610) 252-7301
www.follettice.com

© Follett Corporation 6/15
01089820R01

Follett is a registered trademark of Follett Corporation, registered in US.

21. Turn ON water supply.
22. Plug in dispenser and dispense water into a container for 30 seconds (**Fig. 8**) to flush sanitizer from the dispenser water lines.
23. Discard water collected in container.
24. Drain water for 30 seconds from the water reservoir by releasing evaporator drain tube from float reservoir bracket, removing plug from drain tube and releasing (unclamping) pinch clamp (if equipped).
25. Plug drain hose, replace drain tube in reservoir bracket.
26. Immediately perform Cleaning/Sanitizing procedure according to instructions shipped with dispenser.

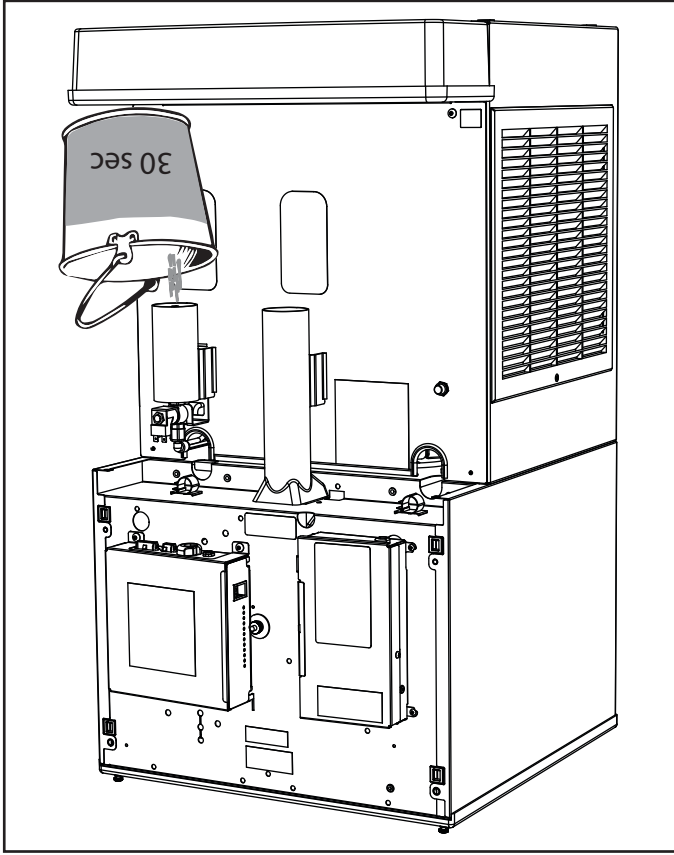


Fig. 8

17. Unplug unit and allow sanitizer to remain in water lines and water reservoir for at least 5 minutes.
18. Turn OFF water supply.
19. Depress red pressure release button to relieve pressure.
20. Remove pre-filter bowl (**Fig. 7.1**), discard sanitizer (**Fig. 7.2**), rinse with potable water, and re-install (**Fig. 7.3**).

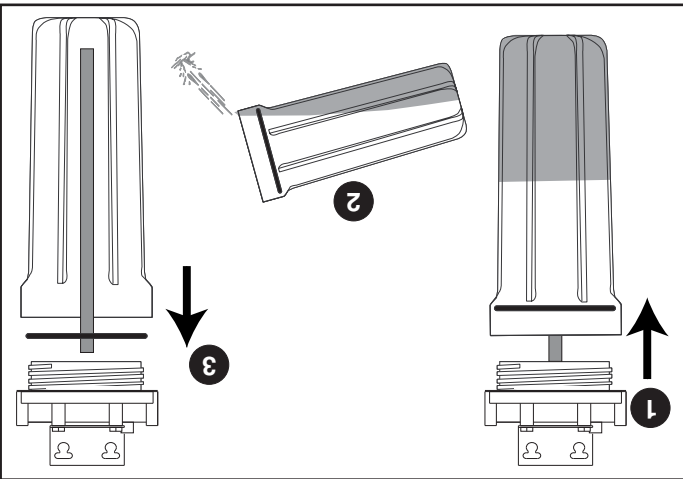


Fig. 7

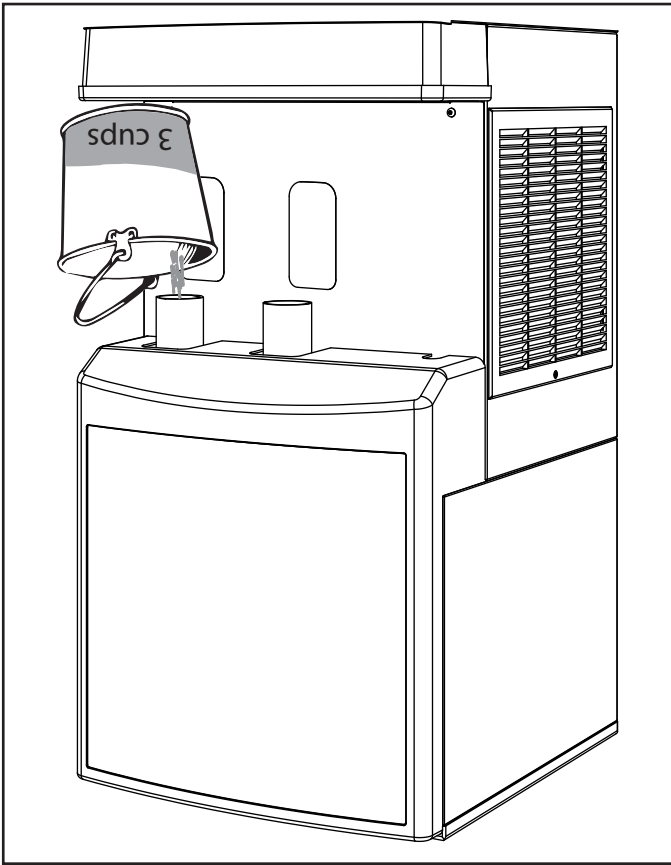


Fig. 5

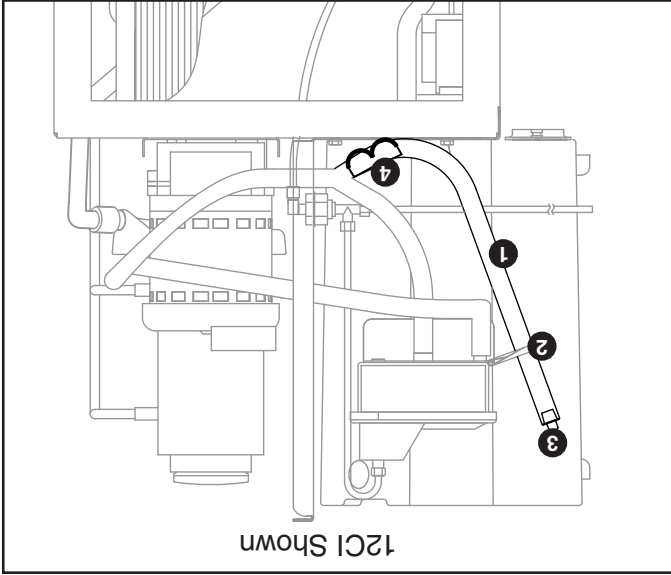
9. Turn ON water supply.

10. Plug in dispenser.

11. Dispense 3 cups (24 oz) of water into a container (Fig. 5). Sanitizer will fill the dispenser water lines.

Note: Maximum length of water line between dispenser and filter system must not exceed 30 ft. (9 m).

12. Discard water collected in container.



12CI Shown

Fig. 6

13. Remove any panels required to gain access to water reservoir, evaporator drain tube, and compressor switch.

Note: Consult the Operation and Service manual shipped with your unit.

14. Locate the Compressor Switch and put in the OFF position.

15. Drain 2 cups (16 oz) of water from the water reservoir by releasing evaporator drain tube (Fig. 6.1) from float reservoir bracket tube (Fig. 6.2), removing plug (Fig. 6.3) from drain tube and releasing (unclamping) pinch clamp (Fig. 6.4) (if equipped).

16. Plug drain hose, replace drain tube in reservoir bracket.

8. Re-install pre-filter bowl (Fig. 4).

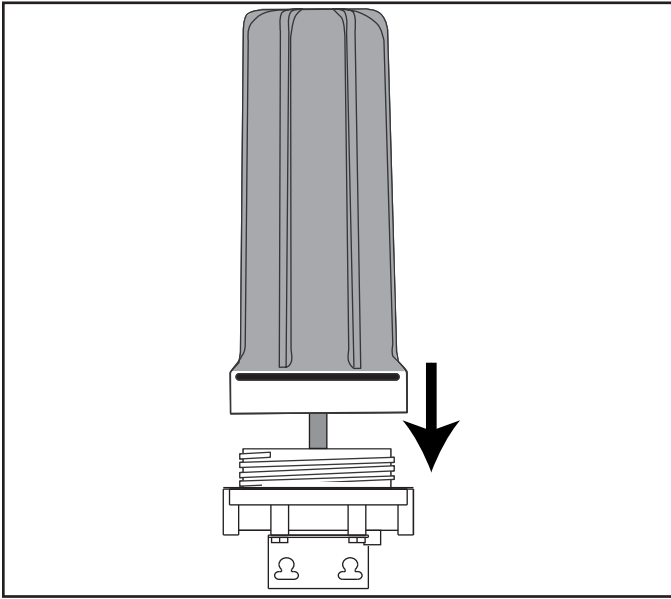


Fig. 4

6. Mix a 200 ppm active quaternary sanitizing solution of 1 gal. (3.8 L) 100 F (38 C) water and 1.6 oz (47 ml) Nu-Calgon IMS-II Sanitizer (P/N 00979674).
7. Fill pre-filter bowl to just below the o-ring with sanitizing solution (Fig. 3).

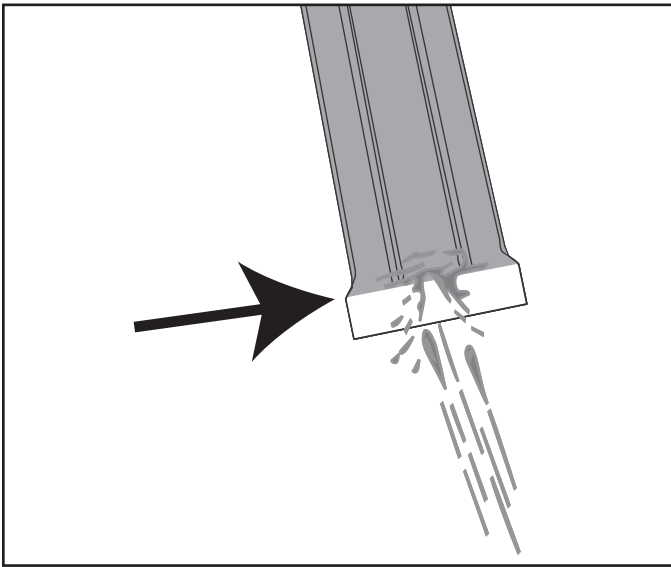


Fig. 3



- Immediately perform Cleaning/Sanitizing procedure (according to instructions shipped with dispenser) when Pressurized Water Sanitizing procedure is completed.
- Only qualified technicians should attempt to service or maintain this equipment.
- Wear rubber gloves and safety goggles (or face shield) when handling cleaner or sanitizer mixtures.
- Use only Follett approved cleaners.
- It is a violation of Federal law to use Sanitizing solution in a manner inconsistent with its labeling.
- Do not use solvents, abrasive cleaners, metal scrapers or sharp objects to clean any part of the dispenser.

1. Unplug dispenser.

2. Turn OFF water supply.

3. Depress red pressure release button to relieve pressure.

4. Remove pre-filter bowl.

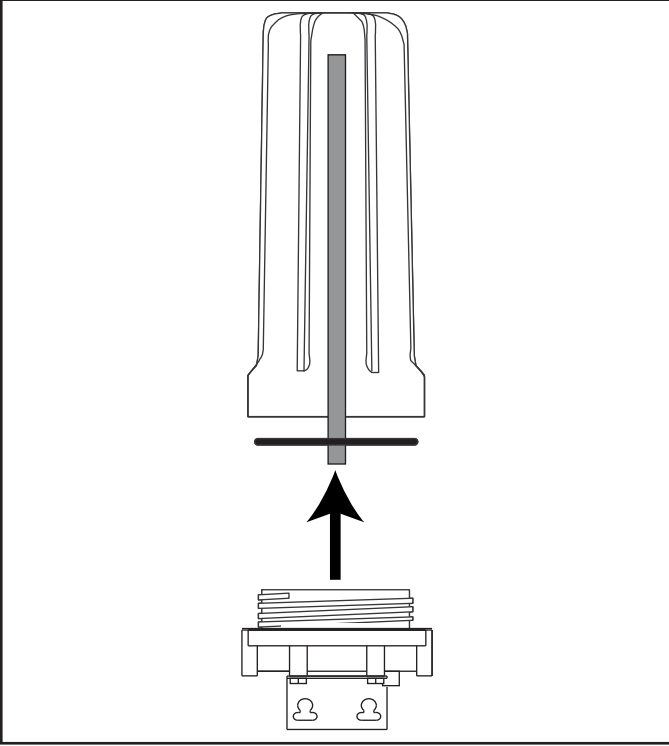


Fig. 1

5. Install dip tube (Fig. 2).

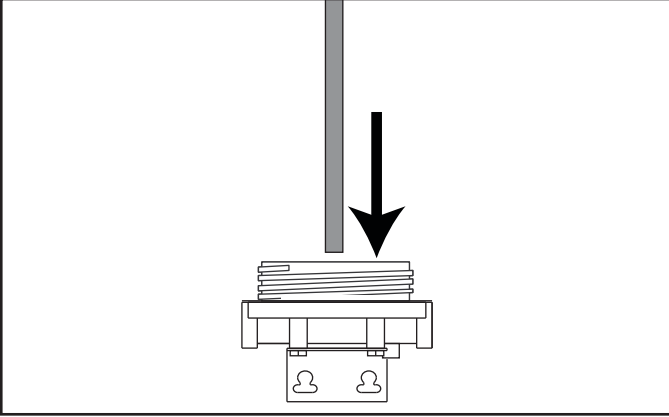


Fig. 2

Instructions for Symphony only

For use with systems with no filter

ATTENTION!

These instructions are for Symphony Series dispensers only.

**Instructions for sanitizing Symphony Plus dispensers are located
on the reverse side of this document.**



Description

Periodic cleaning/descaling and sanitizing of Follett's ice and water dispenser and ice machine system is required to ensure peak performance and delivery of clean, sanitary ice. Immediately perform Cleaning/Sanitizing procedure (according to instructions shipped with dispenser) when this Pressurized Water Sanitizing procedure is completed. If you experience any problems during the installation process, please call Follett Technical Service toll-free at (877) 612-5086 or +1 (610) 252-7301 for assistance.

Materials Required

- (1) 1.5 Gallon (or larger) plastic bucket
- Sanitary gloves
- Safety glasses
- 1.6 fl. oz of Nu-Calgon IMS-II Sanitizer (P/N 00979674 - 16 fl. oz bottle)

Materials Supplied

- (1) Pre-filter bowl
- (1) Filter head and bracket
- (1) Dip tube
- (1) 3/8" ID john guest tubing, 12' (3.6 m)
- (2) 1/2" NPT x 3/8" john guest fitting
- (1) 3/8" to 3/8" compression fitting