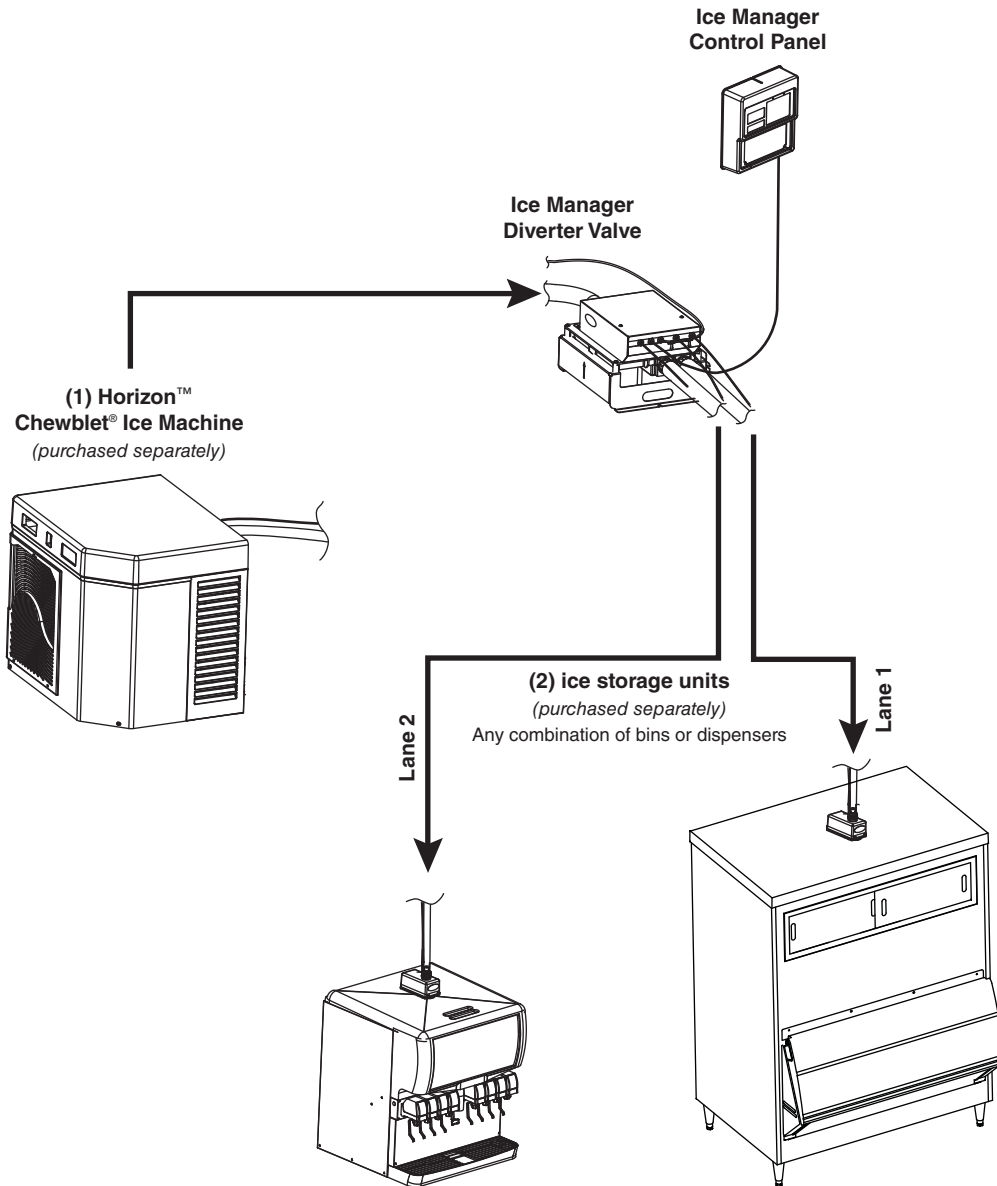
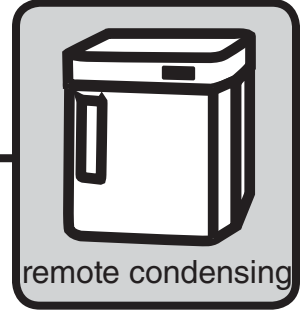


Horizon™ Ice Machine Models with RIDE™ Technology Installation Instructions for Ice Manager™ Diverter Valve

HCD/HCF1000RMS, HCD/HCF1400RMS, HCD/HCF1650RMS,
HCD1000NMS, HCD1400NMS, HCD1650NMS
(See model number configurator on page 2 for details.)

Order parts online
www.follettice.com



Chewblet® Ice Machine Model Number Configurations

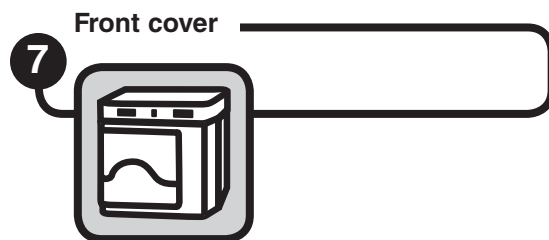
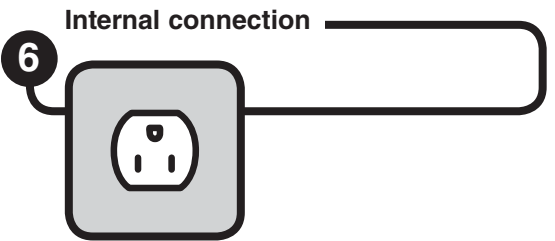
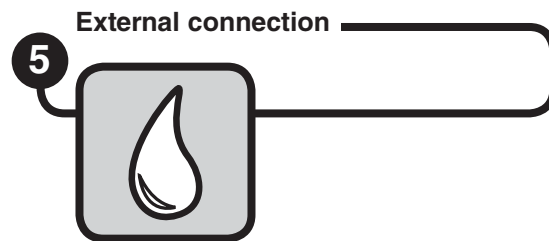
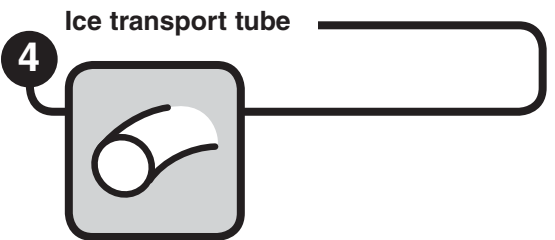
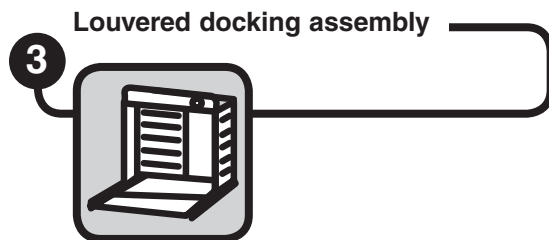
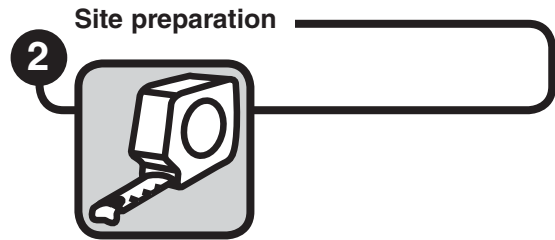
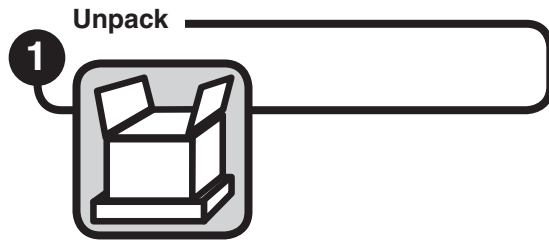
HC
C
1400
A
V
S

Icemaker	Voltage	Series	Condenser	Application	Configuration
MC Maestro™ Chewblet® (400 Series)	C 208-230/60/1 (icemaking head) <i>Self-contained only.</i>	400 up to 454 lbs (206kg)	A Air-cooled, self-contained W Water-cooled, self-contained	V Vision™ H Harmony™	S RIDE™ (RIDE remote ice delivery equipment)
HC Horizon Chewblet (1000, 1400, 1650 Series)	D 115/60/1 (icemaking head) <i>Self-contained and remote. If remote unit, high side is 208-230/60/1.</i>	1000 up to 1036 lbs (471kg)	R Air-cooled, remote condensing unit N Air-cooled, no condensing unit for connection to parallel rack system	B Ice storage bin J Drop-in M Ice Manager diverter valve system	T Top-mount
HM Horizon Micro Chewblet	E 230/50/1 (icemaking head) <i>Self-contained only.</i> F 115/60/1 (icemaking head) <i>Remote only. High side is 208-230/60/3.</i>	1400 up to 1450 lbs (658kg) 1650 up to 1580 lbs (717kg)			

Horizon ice machine for use with Ice Manager diverter valve system

The Ice Manager diverter valve system delivers ice to two ice storage units enabling a single Follett Horizon ice machine to meet demand for ice at two locations. The system's sensors monitor ice levels in each storage unit and automatically switch ice delivery to the appropriate location.

After thorough review of Ice Manager site survey, read and complete Horizon ice machine installation sections 1 through 6.



For connection to Ice Manager diverter valve system refer to Ice Manager installation guide.

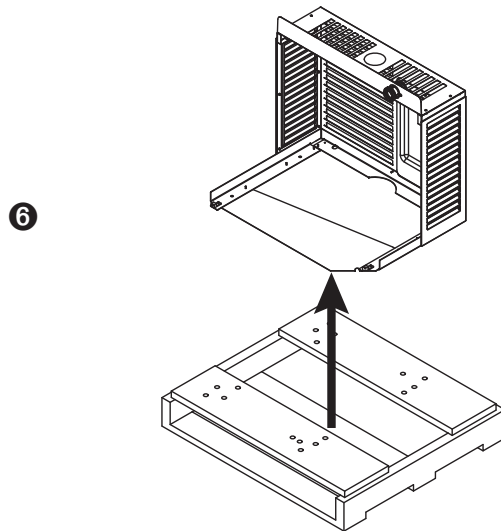
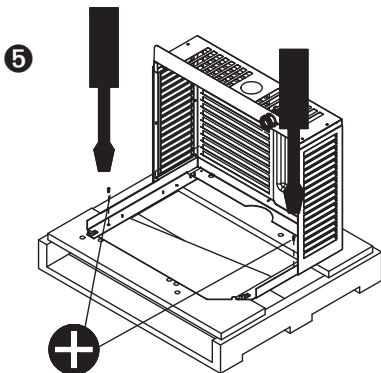
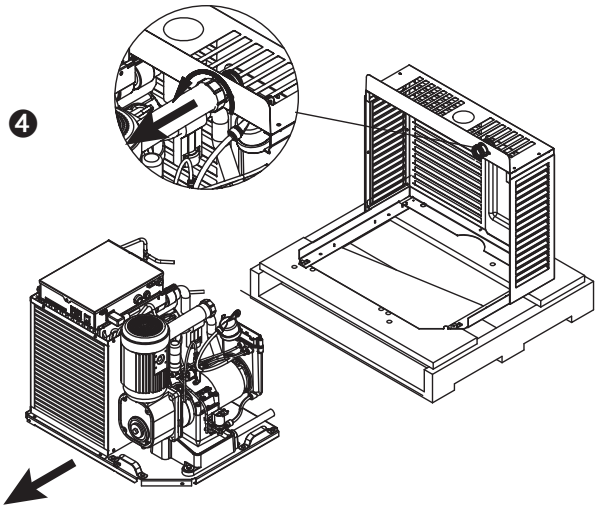
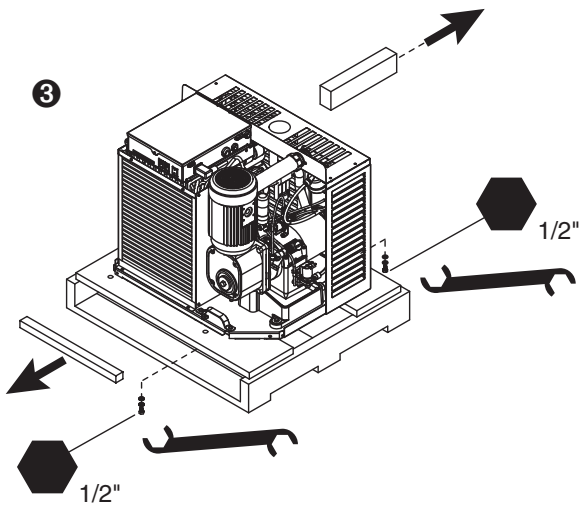
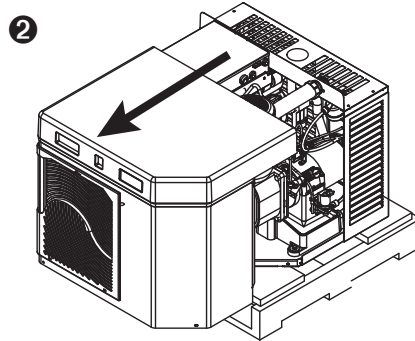
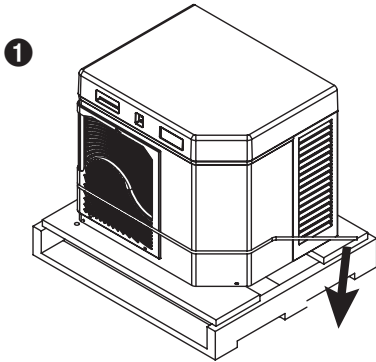
Carefully unpack and inspect the contents of your Follett ice machine.

Unpack

1

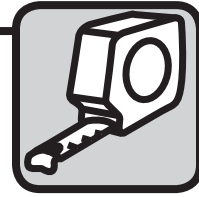


1.1 Unpack ice machine

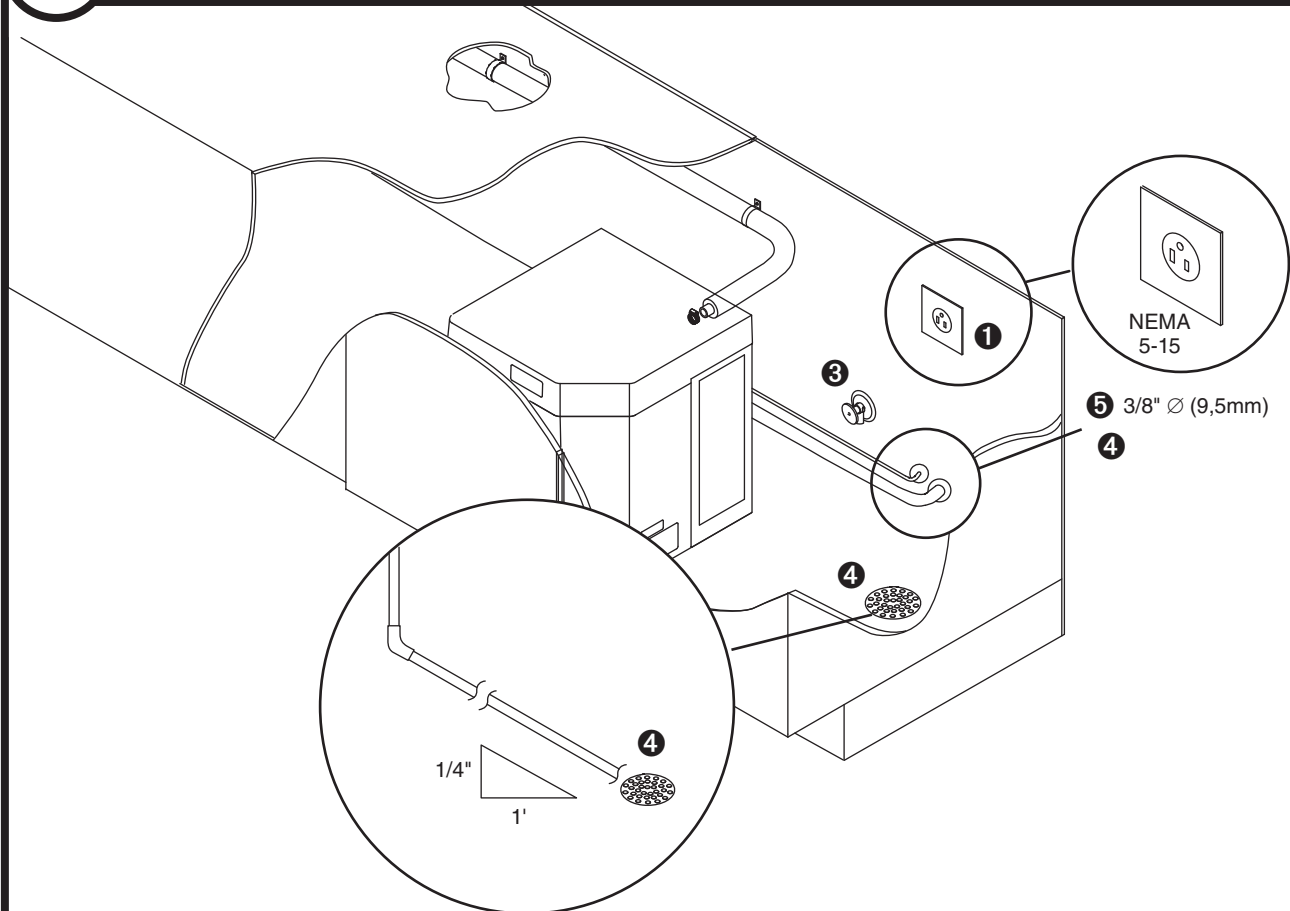


Prepare the installation site.

Provide drainage, water supply and electrical power to within 6 feet (2m) of ice machine in accordance with local and national codes. Outdoor installation is not recommended and will void warranty.



2.1 Installation site requirements



Electrical 1

- 120/60/1-6 amps

Potable water supply 2

- 10-70 psi (69-483kpa)
- 45-90 F (7-32 C)
- Follett recommends the use of an in-line water filtration system (item# 00130286)

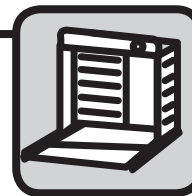
Drain 3

- The drain line from the ice machine must have at least 1/4" per foot pitch (6,4mm/0,3m)

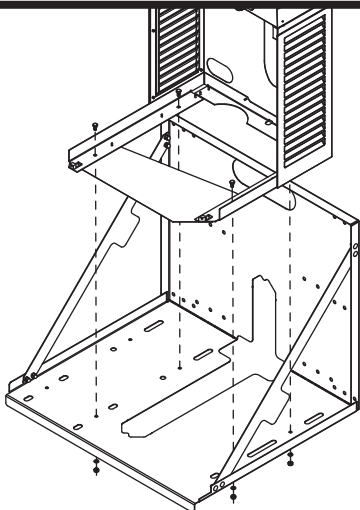
Refrigeration lines 4

- 1000, 1400: 5/8" (15,8mm) diameter suction (insulated) 4
- 1650: 7/8" (22,2mm) diameter suction (insulated) 4
- 3/8" (9,5mm) liquid 5

Install the louvered docking assembly.

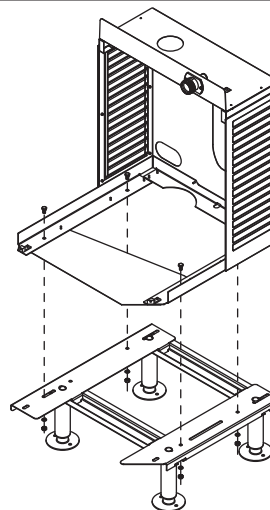


Wall bracket accessory



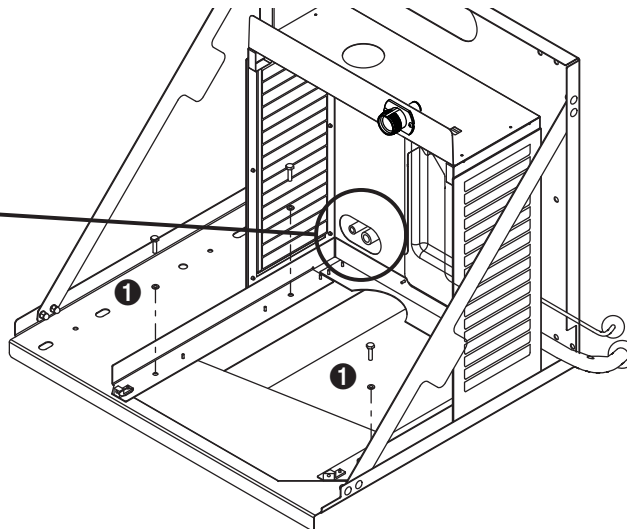
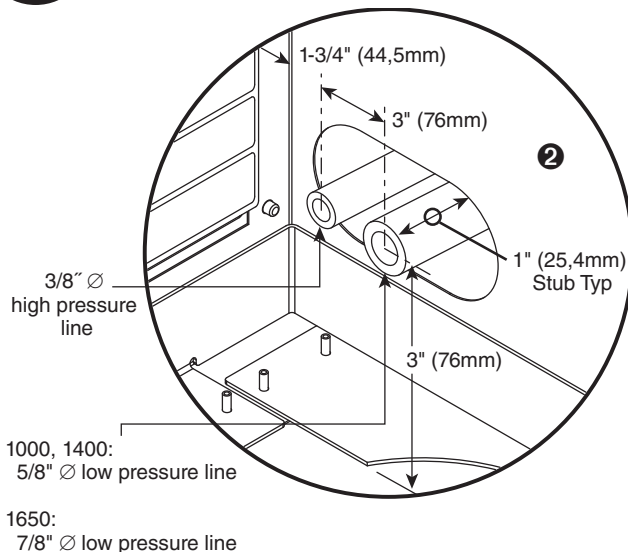
- Mount louvered docking assembly to wall bracket accessory

Machine stand accessory



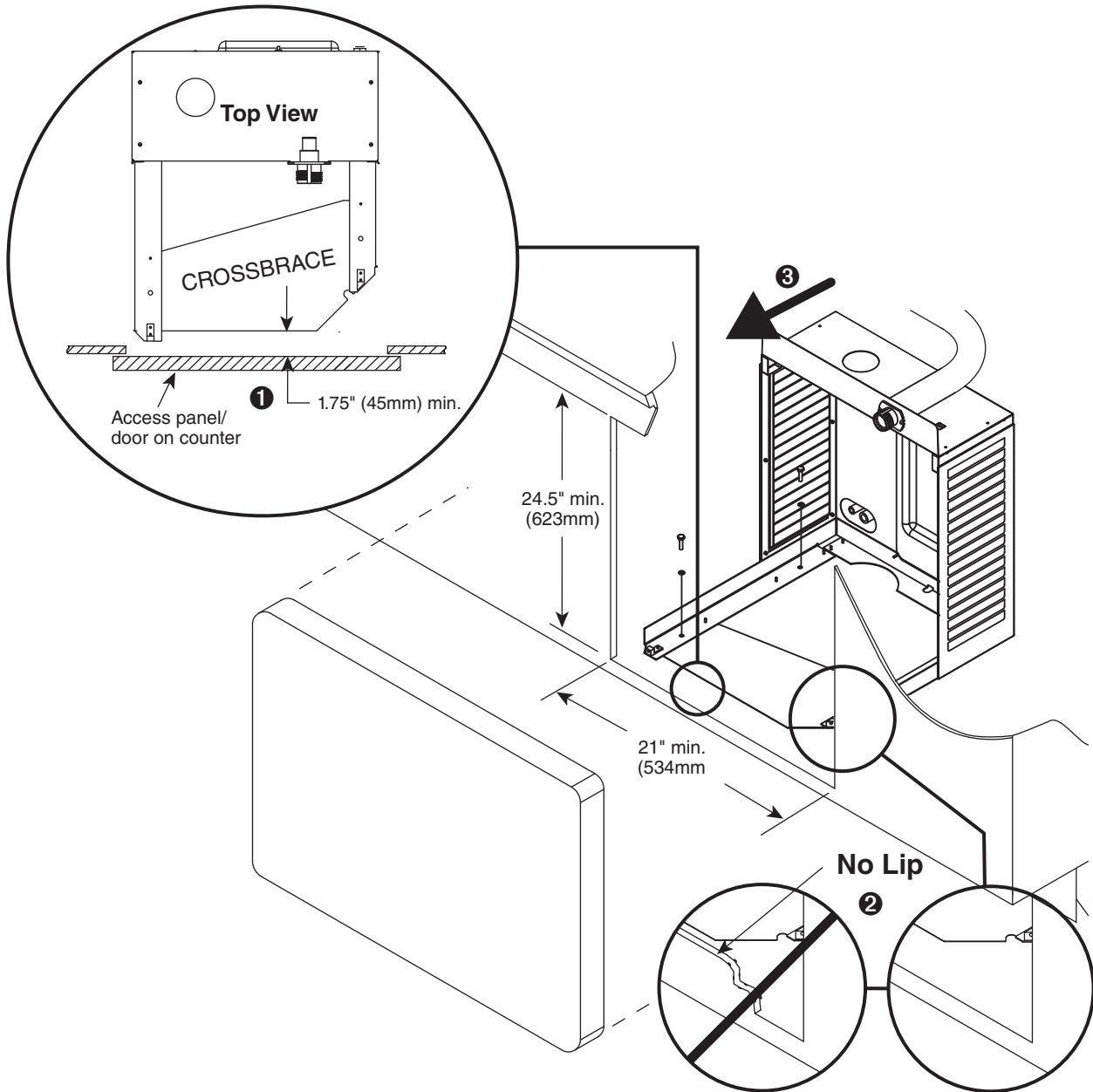
- Mount louvered docking assembly to machine stand accessory

3.1 Louvered docking assembly



- Mount louvered docking assembly ①
- "Rough-in" the refrigerant piping ②

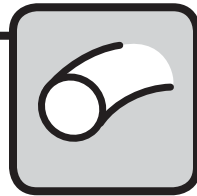
3.2 Undercounter installation requirements



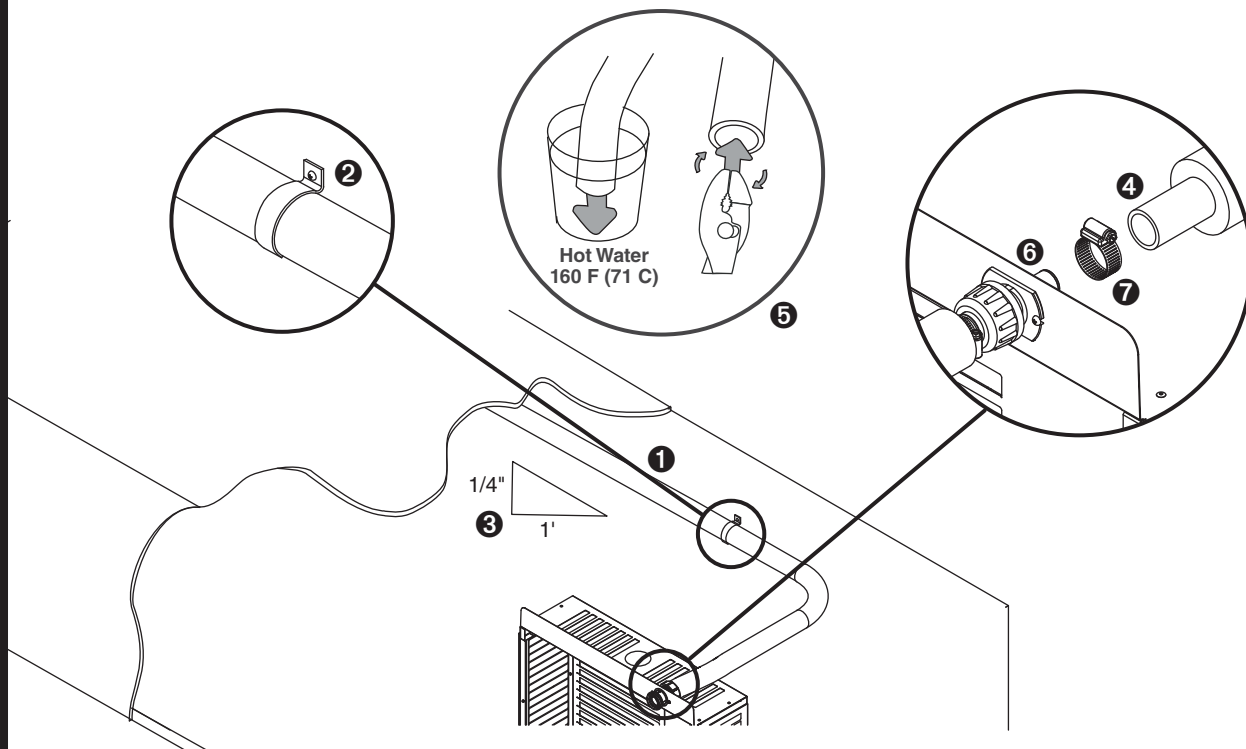
DOCKING STATION

- Position and screw louvered docking assembly to the bottom of counter inside of access panel/ door min. of 1.75" (45mm) from the front edge of the cross brace ❶
- The mounting surface for the louvered docking assembly must be solid. Do not mount directly onto runners or channels.
- There must be no lip or edge that would hinder the ice machine from sliding in or out of the louvered docking station ❷
- Ice machine must be installed facing forward as shown for service accessibility ❸

Install the ice transport tube.



4.1 Ice transport tube installation.



Ice transport tube tips

- Insulate entire length of ice transport tube ①
- Secure ice transport tube ② as needed to prevent dips and traps from forming. For long tube runs see guide on page 13.
- Pitch tube at least 1/4" per foot (6,4mm/.3m) ③
- Ice transport tube must drain towards ice machine

Ice transport tube to Ice machine

- Be sure tube ends are square ④
- Heat end of transport tube in cup of 160 F (71 C) hot water to soften and spread with pliers ⑤ before making connection to ease assembly
- Push ice transport tube onto ice machine nipple ⑥
- Install hose clamp ⑦

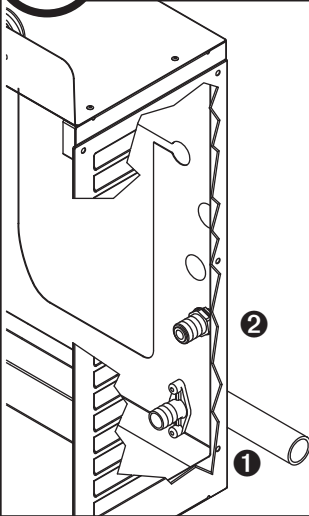
Ice transport tube to diverter valve

- See Ice Manager diverter valve instructions

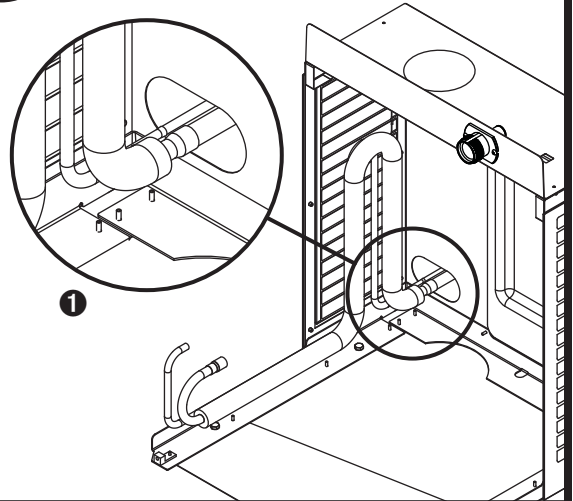
Connect utilities to louvered docking assembly.

**CAUTION**

- Plug must be accessible after final installation.

**5.1 Water and drain**

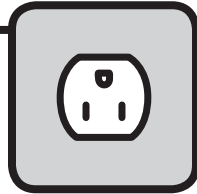
- Remove access panel if necessary.
- Install drain line ①.
The rigid drain line from the ice machine must have at least 1/4" per foot pitch (6,4mm/0,3m).
- Install ice machine potable water supply ②
- Replace access panel

5.2 Refrigerant

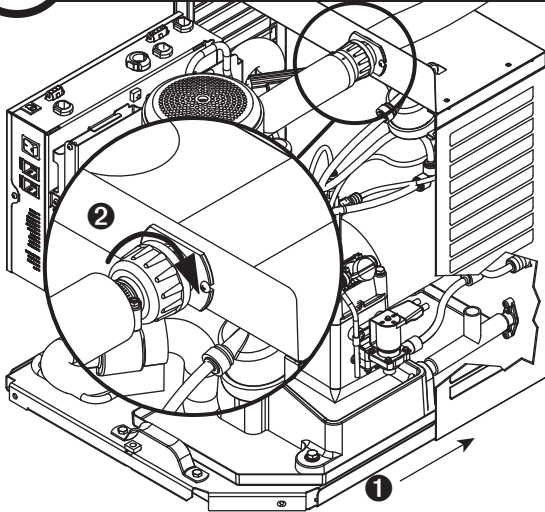
- Braze supplied expandable refrigerant lines in place ①

Connect louvered docking assembly to ice machine.

Internal connections **6**

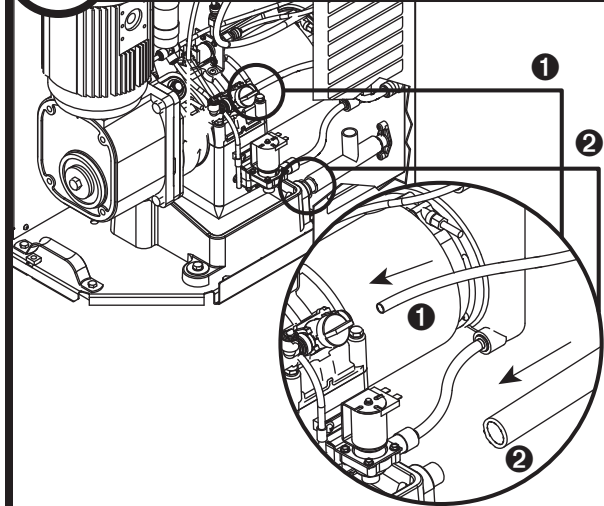


6.1 Ice transport tube installation



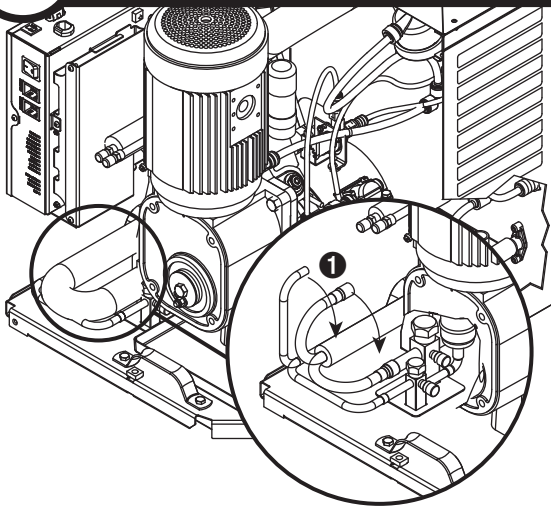
- Slide ice machine into louvered docking assembly **1**
- Insert ice transport tube all the way into coupling and tighten nut firmly **2**

6.2 Water and drain lines



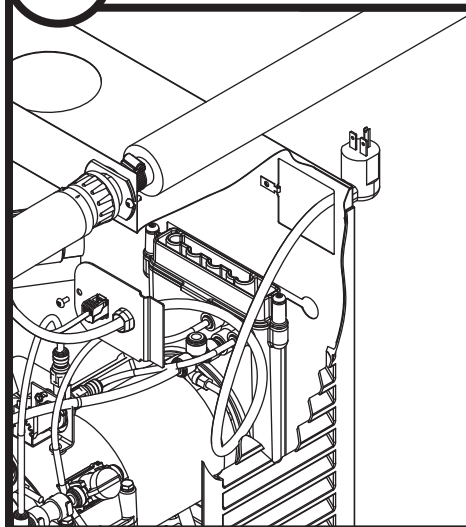
- Insert potable water line into valve **1**
- Push drain line over hose barb on back of evaporator mount **2**

6.3 Refrigeration lines

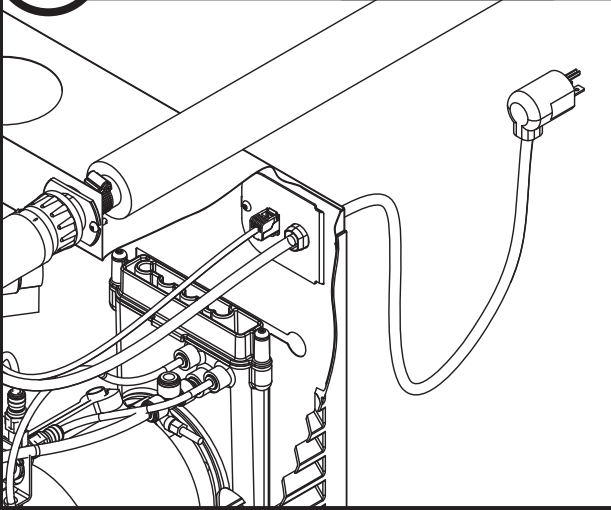


- Rotate and braze refrigerant lines **1**

6.4 Power cord



- Remove twist tie
- Carefully pass plug thru opening and plug into wall outlet

6.5**Power cord**

- Position plate into opening and secure with supplied screw

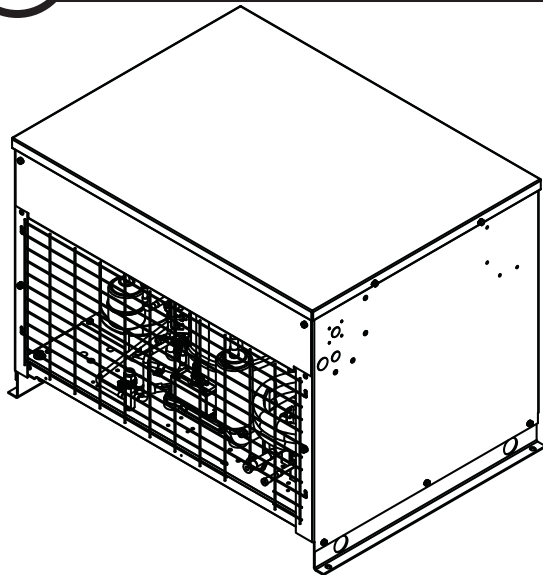
Install front cover to ice machine.

Front cover

7

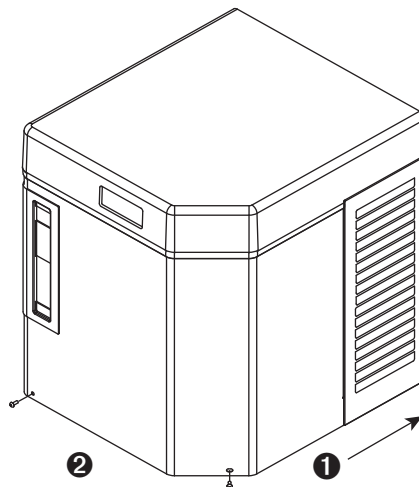


7.1 Install condensing unit



- Complete installation of condensing unit or connection to rack system.

7.2 Install ice machine front cover



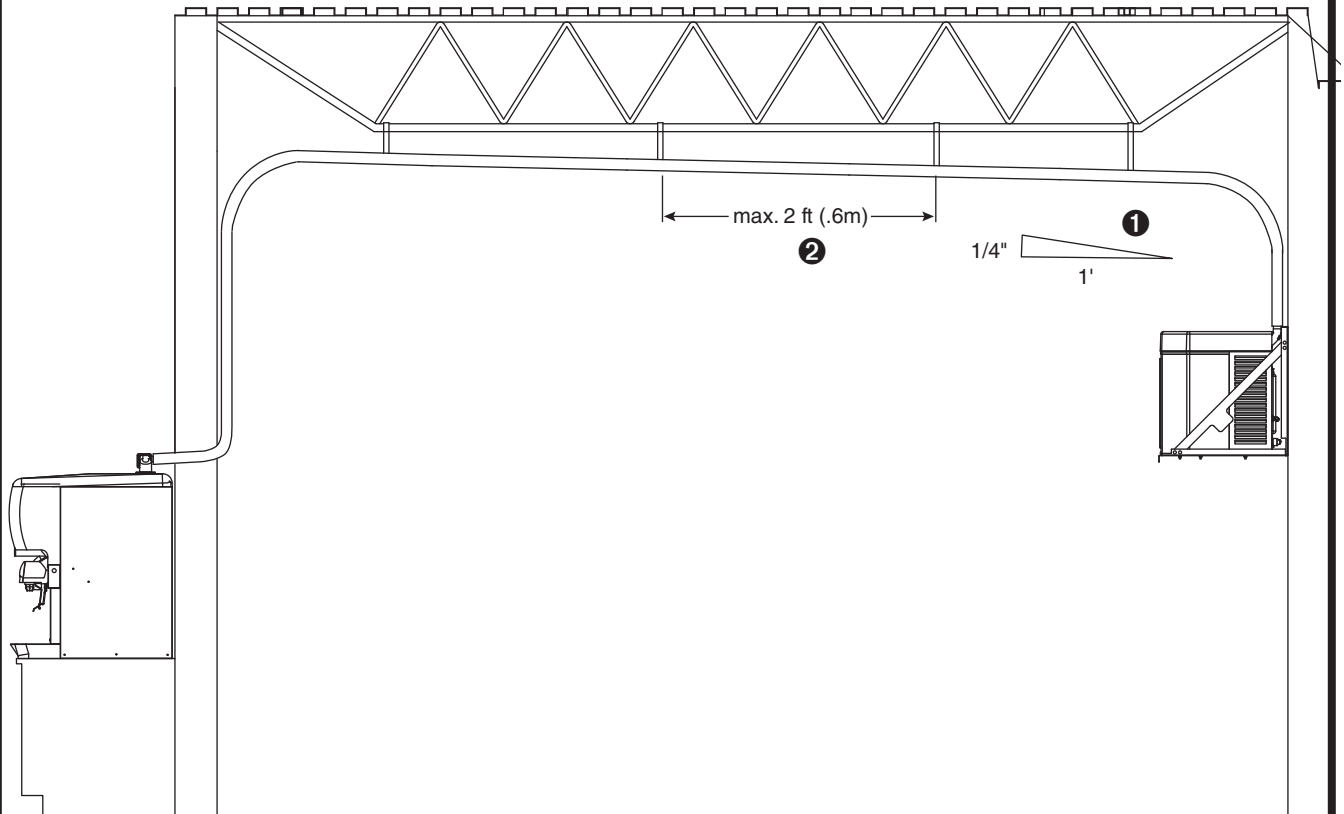
- Slide ice machine cover over machine ensuring that tabs on back of cover slip under louvers on back of louvered docking assembly ①
- Insert and tighten two screws through cover and into louvered docking assembly ②

NOTICE

Ice machine MUST be sanitized prior to operation!

Consult Operation and Service Manual provided with ice machine for sanitizing instructions.

Long tube run recommendations



- Pitch ice transport tube to allow melt water to drain towards ice machine ①
- Secure insulated ice transport tube at least every 2 ft (.6m) to prevent dips or traps ②

Horizon, Maestro, Harmony, Ice Manager, SafeCLEAN, Sani-Sponge, RIDE and Vision are trademarks of Follett Corporation.
Chewblet is a registered trademark of Follett Corporation, registered in the US.



801 Church Lane • Easton, PA 18040, USA
Toll free (877) 612-5086 • +1 (610) 252-7301
www.follettice.com



00172536R07
3/13