

Installation Instructions**ATTENTION!**

These instructions are for 1014A/1414A ice machines only.

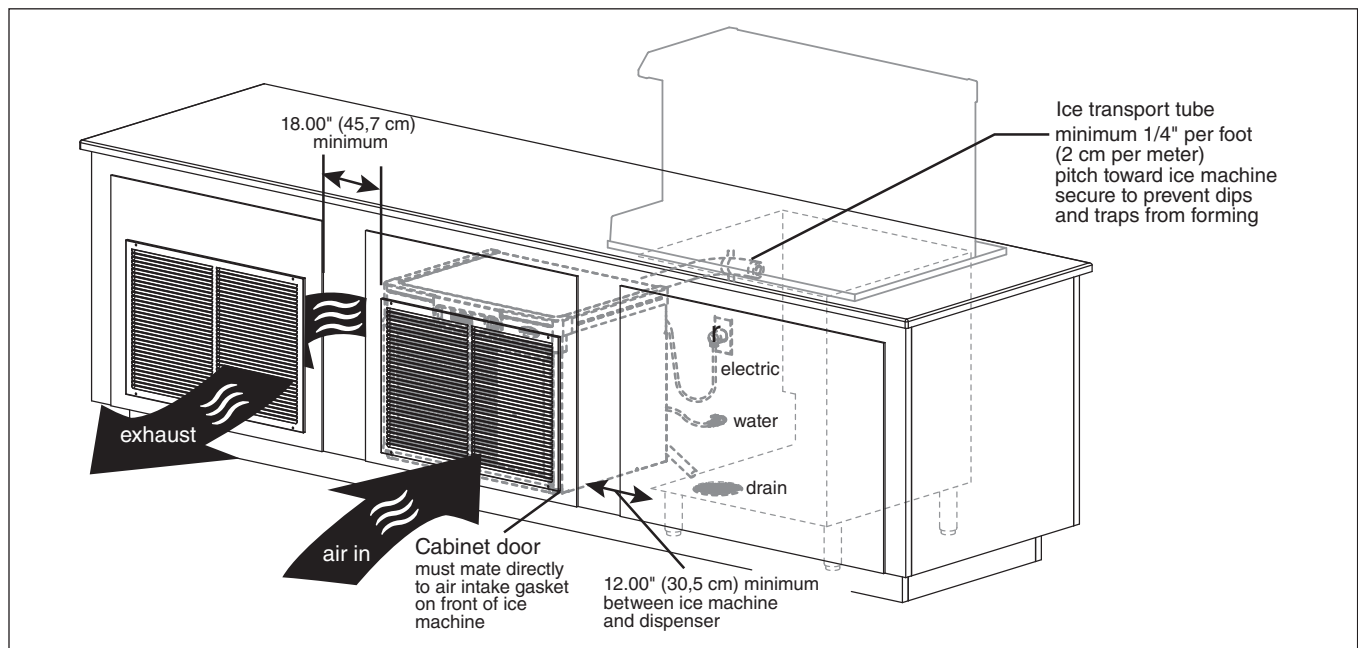
Instructions for 714A ice machines are located on the reverse side of this document.

For full Installation Instructions, please see the literature packaged with the Ice Machine.

Ice machines can be installed undercounter/in-cabinet to fill bins or dispensers using RIDE technology. Care must be taken to ensure proper cabinet venting to avoid recirculation of hot air. Improper venting can cause ice machine outages. Minimum air intake/exhaust surface area 1014/1414: 250 sq. in.

Parts Supplied

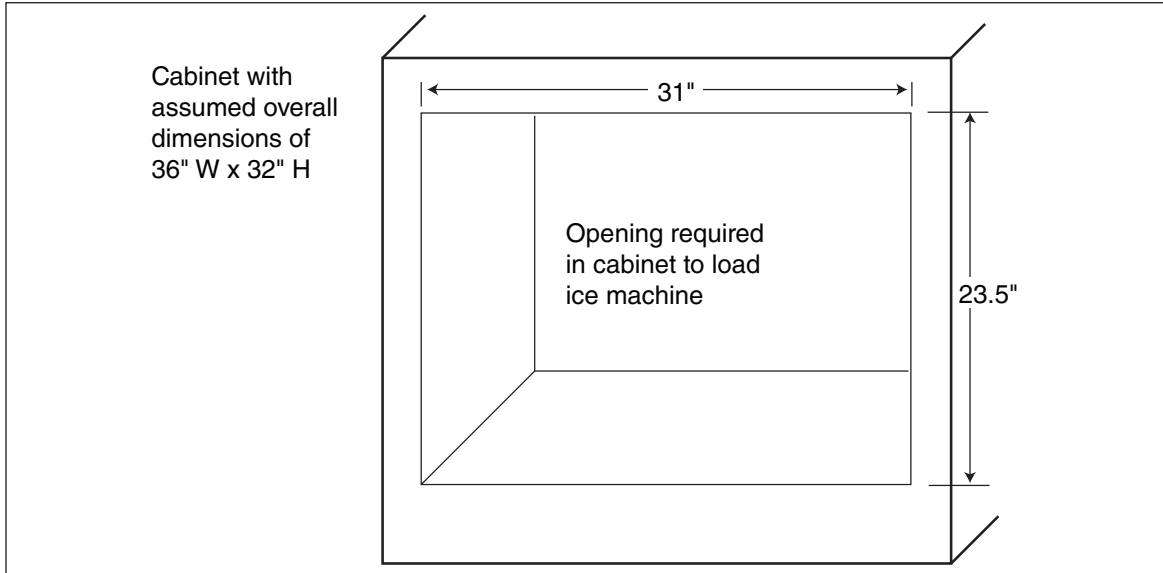
- 1014A/1414A - Grilles (2), 25" x 20" (P/N 01592567), optional
- Gasket material, REQUIRED

1. Overview

- The cabinet's exhaust must be located at least 18" (46 cm) from the air intake (exhaust air must not recirculate with intake air) and must have at least of 250 sq. in. of surface area.
- Cabinet interior must be open to allow for unrestricted exhaust air flow.
- Ice transport tube needs a minimum of 1/4" per foot (2 cm per meter) pitch toward ice machine and should be secured to prevent dips and traps from forming.
- Cabinet door must mate directly to air intake gasket on front of ice machine.
- Cabinet interior must provide a minimum clear space of 25.25" deep (64,1 cm) by 31" (78,7 cm) wide by 23.5" high (59,9 cm) for 1014/1414.
- Utilities should be conveniently located.
- Keep ventilation openings in the appliance enclosure clear of obstruction. Failure to do so could result in damage to equipment.

2. Cabinet Dimensions

- **Note:** Ice machine must be aligned with cut out and inside of access panel to provide a tight seal and prevent recirculation of hot exhaust air.
1. The cabinet is 36" wide and 32" high.
 2. The minimum opening required to load the ice machine into the cabinet is 31" wide by 23.5" high.



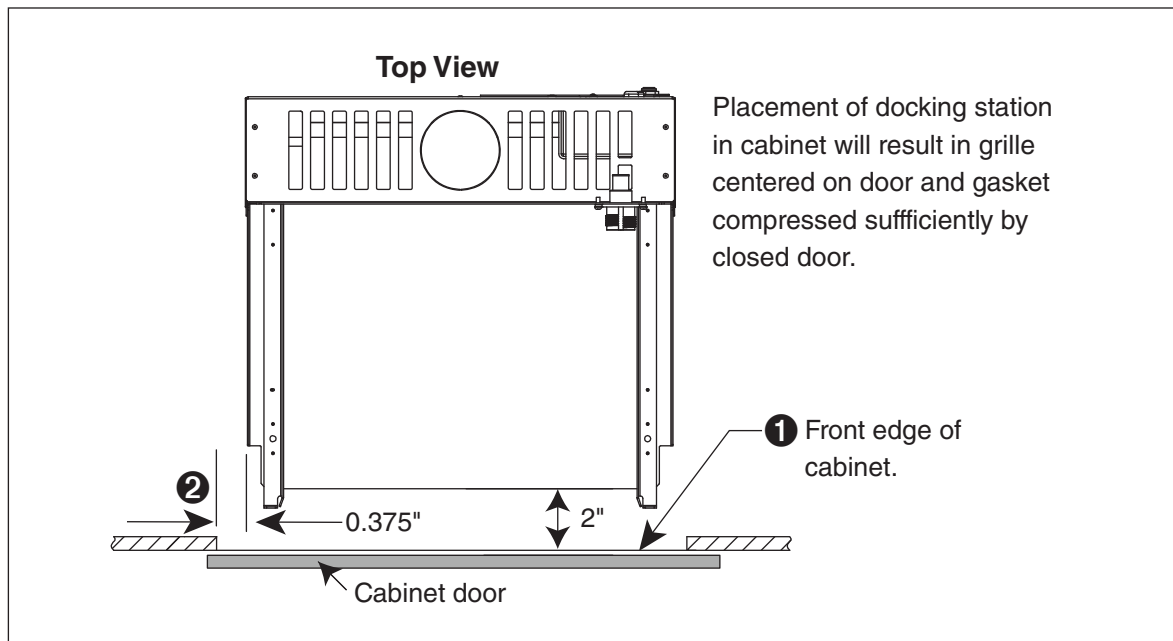
3. Mount the Docking Station

- The mounting surface for the docking assembly must be solid. Do not mount directly onto runners or channels.
- There must be no lip or edge that would hinder the ice machine from sliding in or out of the docking station.

Note: The directions that follow assume that the door hinge is located on the left side of the cabinet.

1. Position and screw docking assembly to the bottom of counter inside of cabinet door.
 - 2.00" (51 mm) from the front edge of cabinet (**Fig.1.1**).
 - 0.375" (9.5 mm) from left edge of cabinet opening (**Fig.1.2**).

Fig. 1

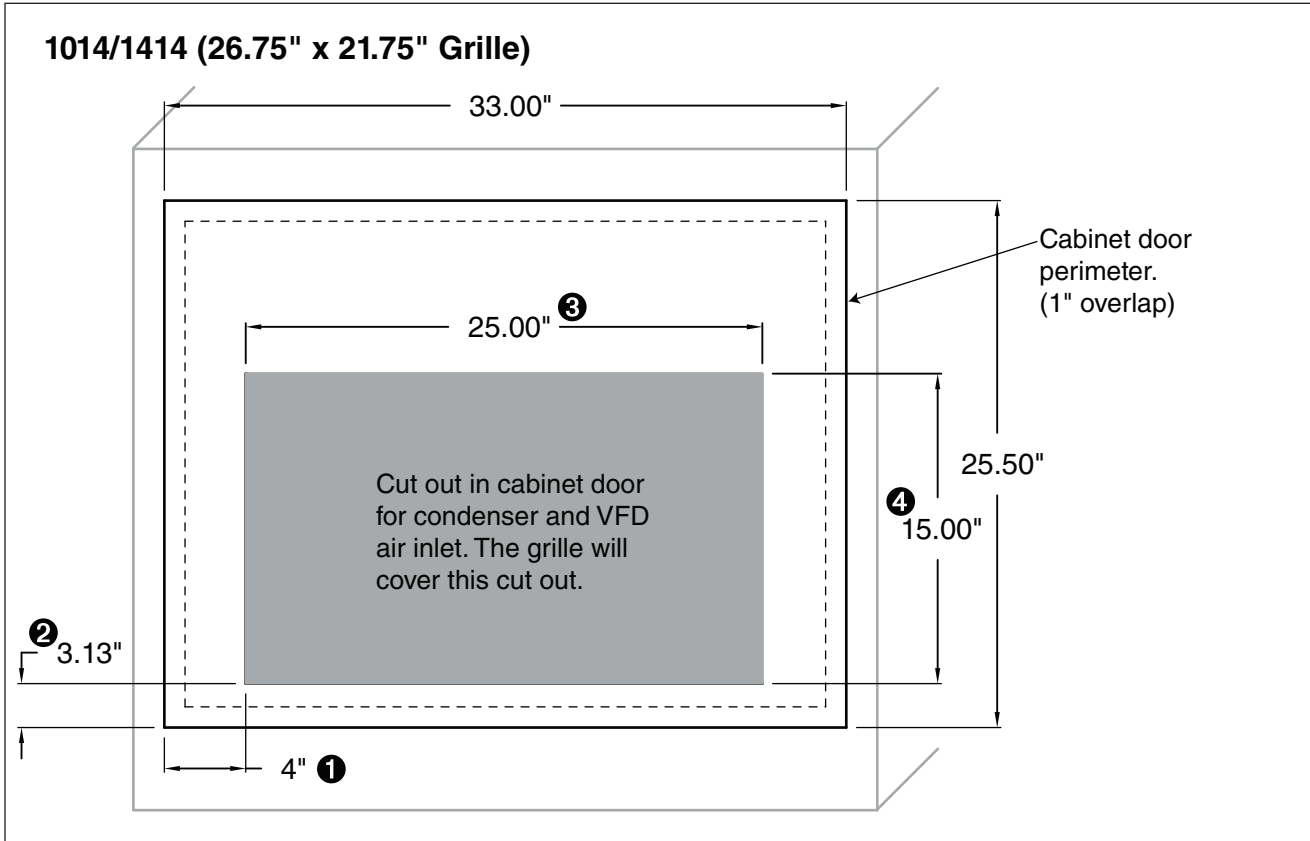


4. Locate the Cutout for the Cabinet Door - 1014/1414

Note: The grille is approximately 5" taller than the cut out, this is intentional.

1. From the bottom left-hand corner of the cabinet door, measure in and mark 4" (**Fig. 1.1**).
2. From the bottom left-hand corner of the cabinet door, measure up and mark 3.13" (**Fig. 1.2**).
3. From the 4" mark, measure in and mark 25" (**Fig. 1.3**).
4. From the 3.13" mark, measure up and mark 15" (**Fig. 1.4**).
5. Cut out the 25" x 15" hole.

Fig. 2

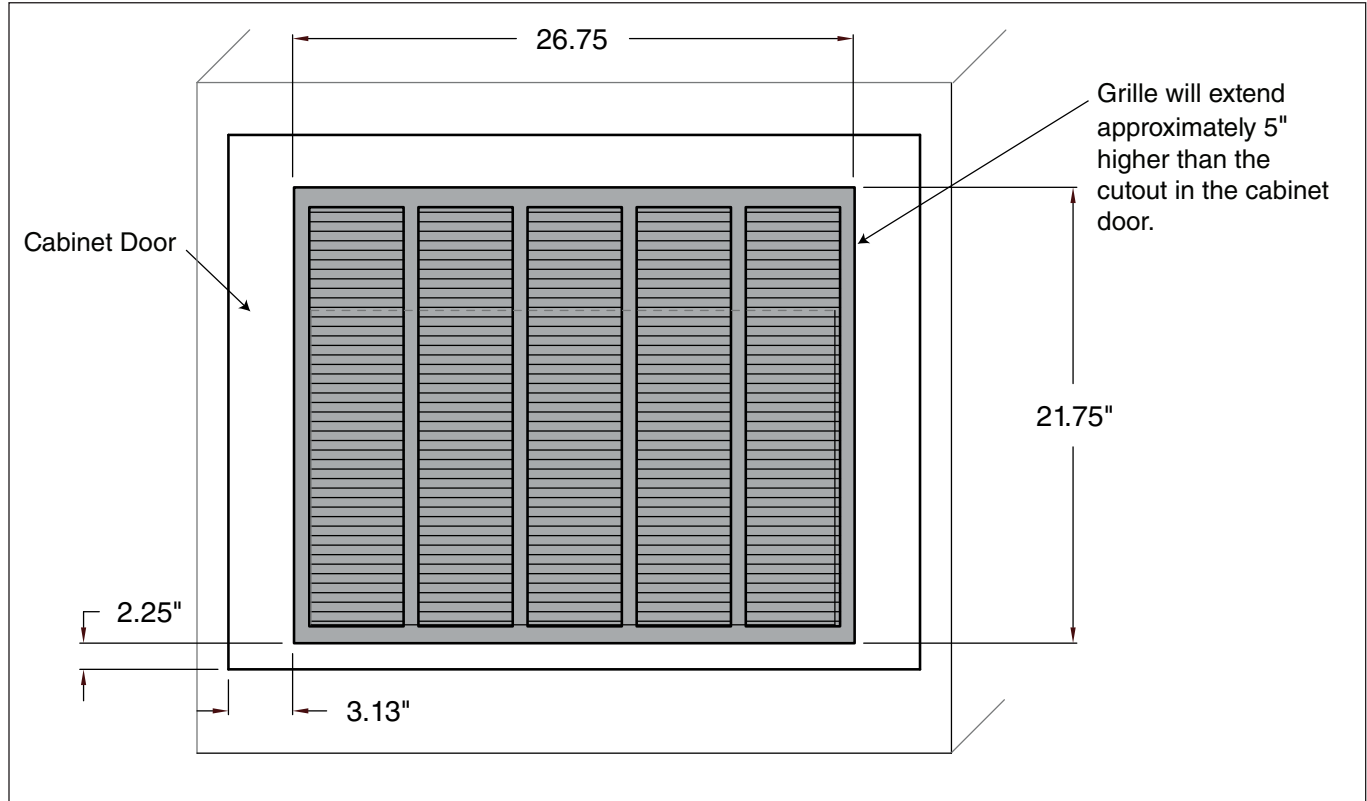


5. Locate the 1014/1414 Intake Grille on Cabinet Door

Note: Regardless if you are using the Follett-supplied grille or not, the gasket material must be applied to the front of the ice machine. See the *Apply Gasket* section for more information.

1. From the bottom left-hand corner of the cabinet door, measure in and mark 3.13" (Fig. 3.1).
2. From the bottom left-hand corner of the cabinet door, measure up and mark 2.25" (Fig. 3.2).
3. Place the left corner of the grille at this point and secure to the cabinet door.

Fig. 3



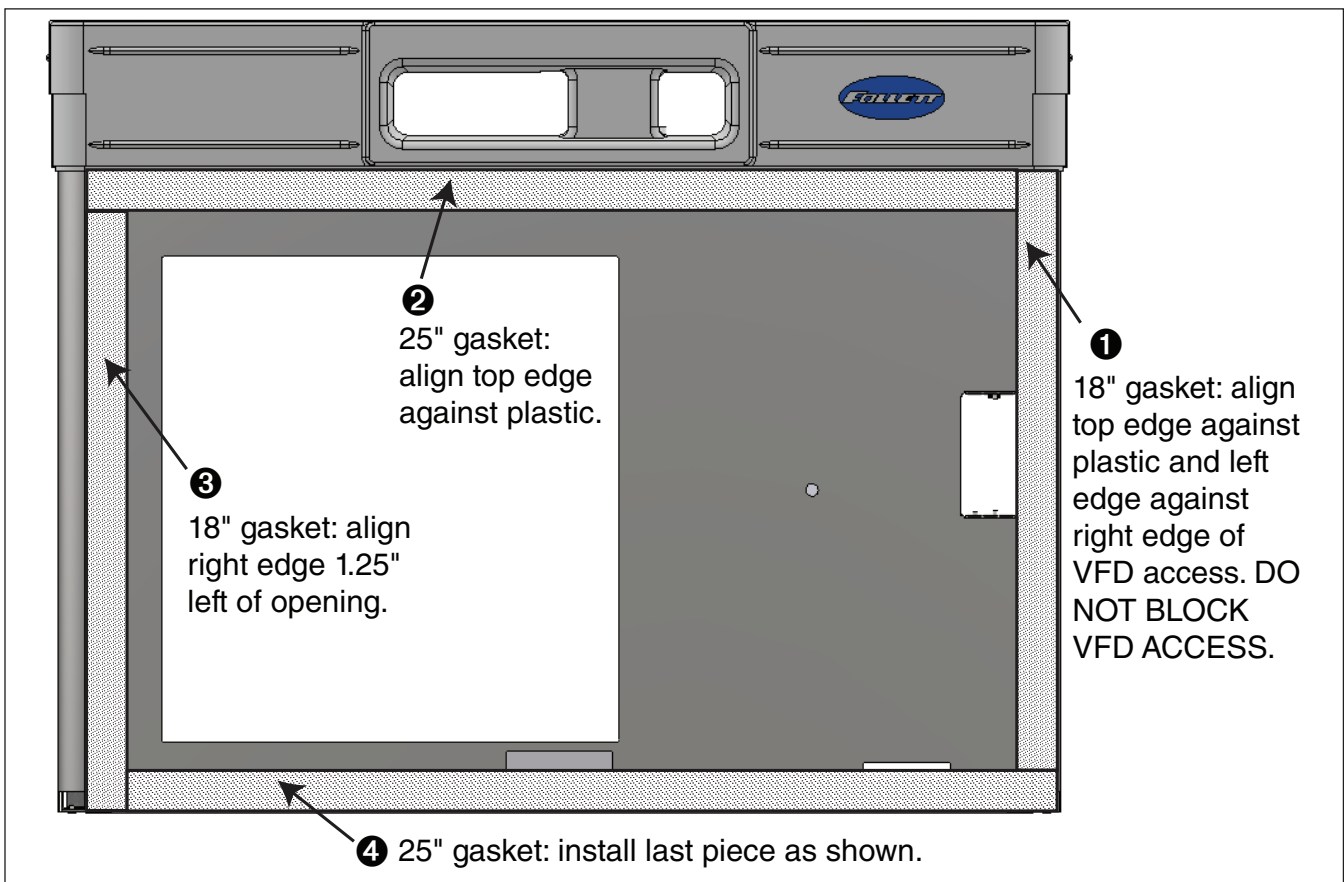
6. Apply Gasket

NOTICE!

- Keep ventilation openings in the appliance enclosure clear of obstruction. Failure to do so could result in damage to equipment.

1. Remove and discard front plastic grille of the ice machine.
2. Apply supplied gasket material on flat surface of stainless steel portion of front panel to prevent air recirculation.
3. Cut an 18" piece of gasket and align the top edge against the under side of the plastic trim and the left edge against the right edge of the VFD access hole (**Fig. 4.1**). *Do not block the VFD access hole.*
4. Cut a 25" piece of gasket and align the top edge against the plastic trim and the right edge against the previously installed gasket (**Fig. 4.2**).
5. Cut an 18" piece of gasket and align the top edge against the previously installed gasket and the right edge 1.25" left of the opening (**Fig. 4.3**).
6. Cut a 25" piece of gasket and install as shown (**Fig. 4.4**).

Fig. 4



7. Locate the Exhaust Grille

1. Position supplied exhaust grille at least 18" (458 mm) away from the intake grille. Where possible, install exhaust grille to the rear or side of the base cabinet.
2. The minimum cutout for the exhaust grille is 24.00" W x 16.00" H (61.0 cm x 40.6 cm).
3. Cut hole and install exhaust grille.

 **NOTICE!**

- Ice machine **MUST** be sanitized prior to operation!
- Consult User Guide provided with ice machine for sanitizing instructions.

Horizon Elite is a trademark of Follett Products, LLC.
Follett is a registered trademark of Follett Products, LLC.

Installation Instructions**ATTENTION!**

These instructions are for 714A ice machines only.

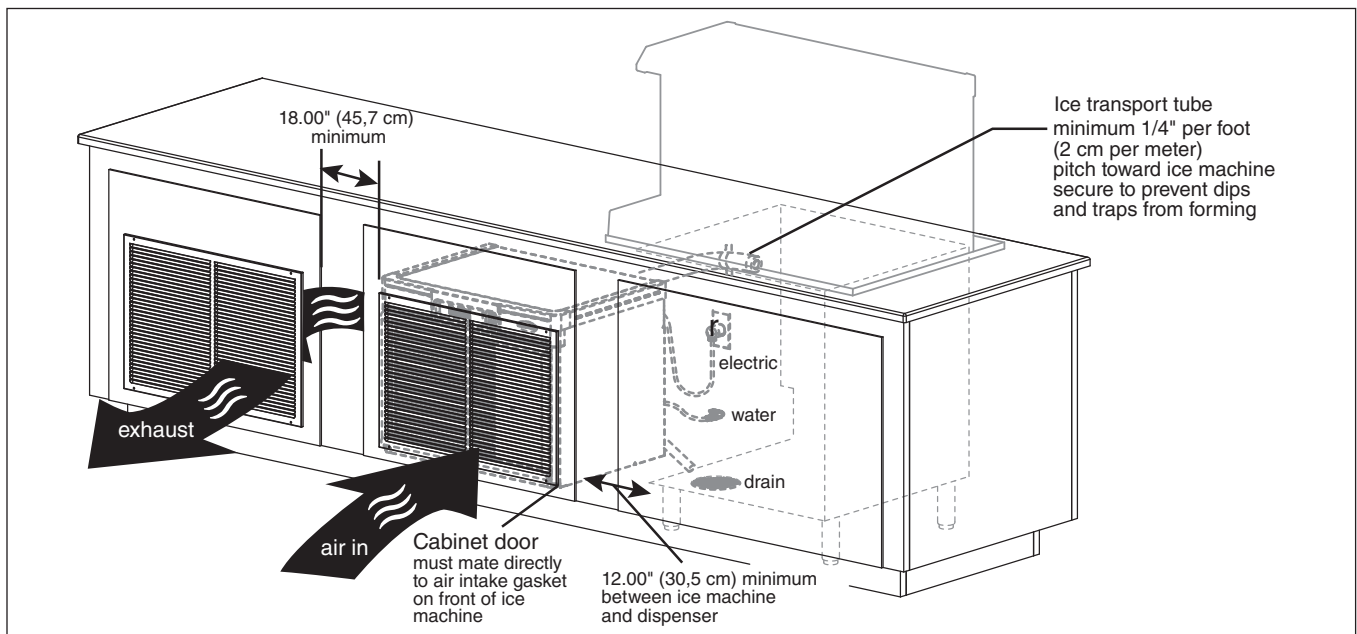
Instructions for 1014A/1414A ice machines are located on the reverse side of this document.

For full Installation Instructions, please see the literature packaged with the Ice Machine.

Ice machines can be installed undercounter/in-cabinet to fill bins or dispensers using RIDE technology. Care must be taken to ensure proper cabinet venting to avoid recirculation of hot air. Improper venting can cause ice machine outages. Minimum air intake/exhaust surface area 714: 160 sq. in.

Parts Supplied

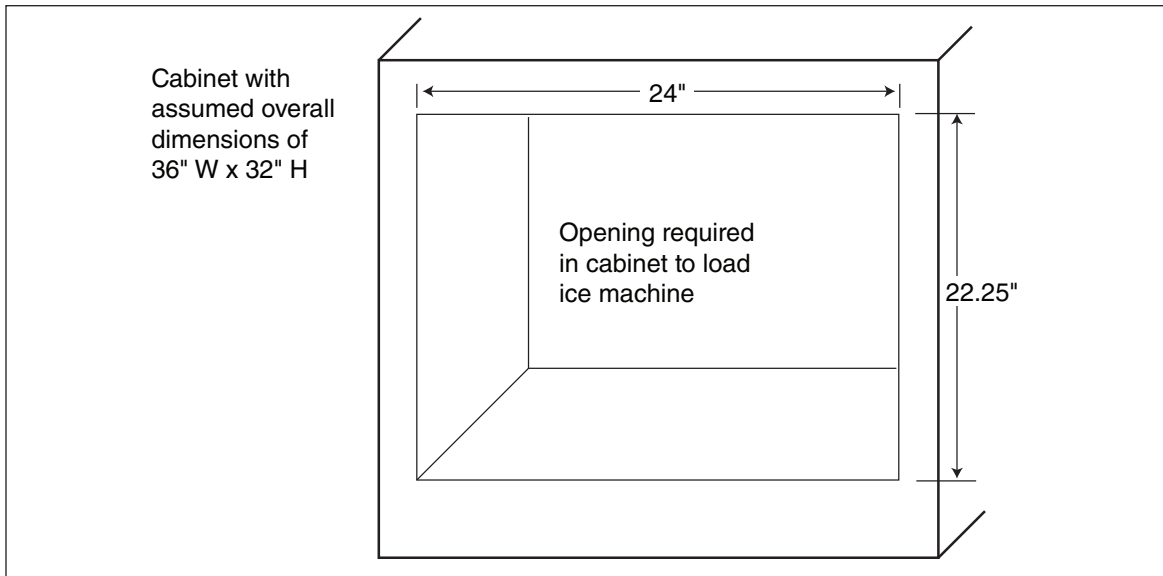
- 714A - Grilles (2), 18" x 14" (P/N 00978304), optional
- Gasket material, REQUIRED

1. Overview

- The cabinet's exhaust must be located at least 18" (46 cm) from the air intake (exhaust air must not recirculate with intake air) and must have at least of 160 sq. in. of surface area.
- Cabinet interior must be open to allow for unrestricted exhaust air flow.
- Ice transport tube needs a minimum of 1/4" per foot (2 cm per meter) pitch toward ice machine and should be secured to prevent dips and traps from forming.
- Cabinet door must mate directly to air intake gasket on front of ice machine.
- Cabinet interior must provide a minimum clear space of 24.50" deep (62,2 cm) by 24" (61 cm) wide by 22.25" high (56,5 cm) for 714.
- Utilities should be conveniently located.
- Keep ventilation openings in the appliance enclosure clear of obstruction. Failure to do so could result in damage to equipment.

2. Cabinet Dimensions

- **Note:** Ice machine must be aligned with cut out and inside of access panel to provide a tight seal and prevent recirculation of hot exhaust air.
1. The cabinet is 36" wide and 32" high.
 2. The minimum opening required to load the ice machine into the cabinet is 24" wide by 22.25" high.



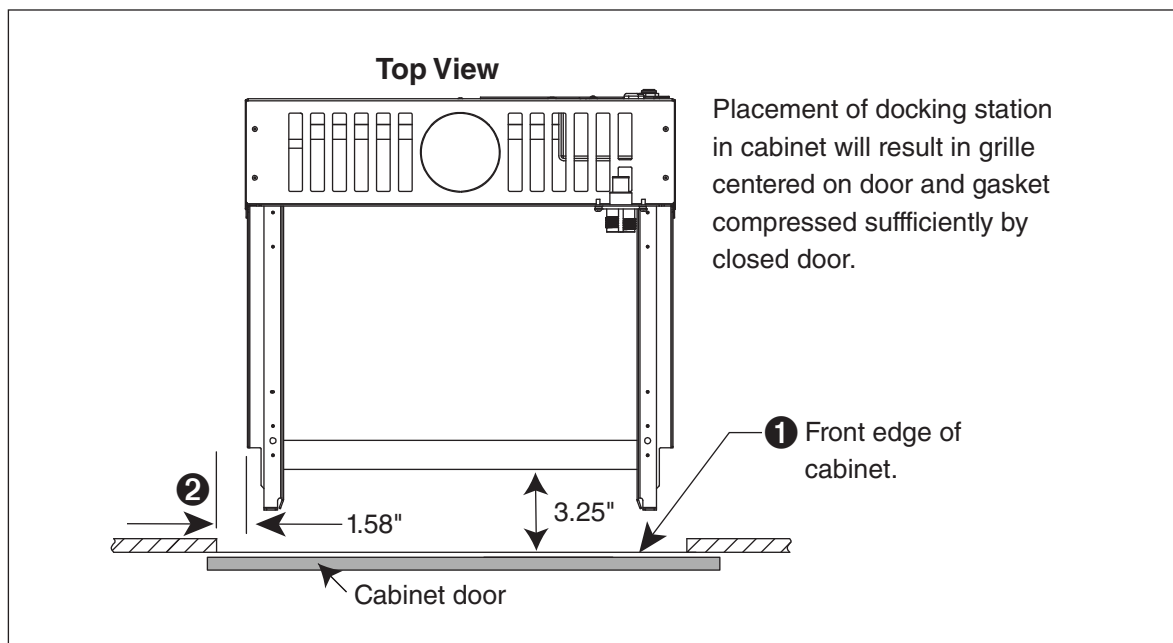
3. Mount the Docking Station

- The mounting surface for the docking assembly must be solid. Do not mount directly onto runners or channels.
- There must be no lip or edge that would hinder the ice machine from sliding in or out of the docking station.

Note: The directions that follow assume that the door hinge is located on the left side of the cabinet.

1. Position and screw docking assembly to the bottom of counter inside of cabinet door.
 - 3.25" (83 mm) from the front of cabinet to front edge of the cross brace (**Fig.1.1**).
 - 1.58" (40.1 mm) from left edge of cabinet opening (**Fig.1.2**).

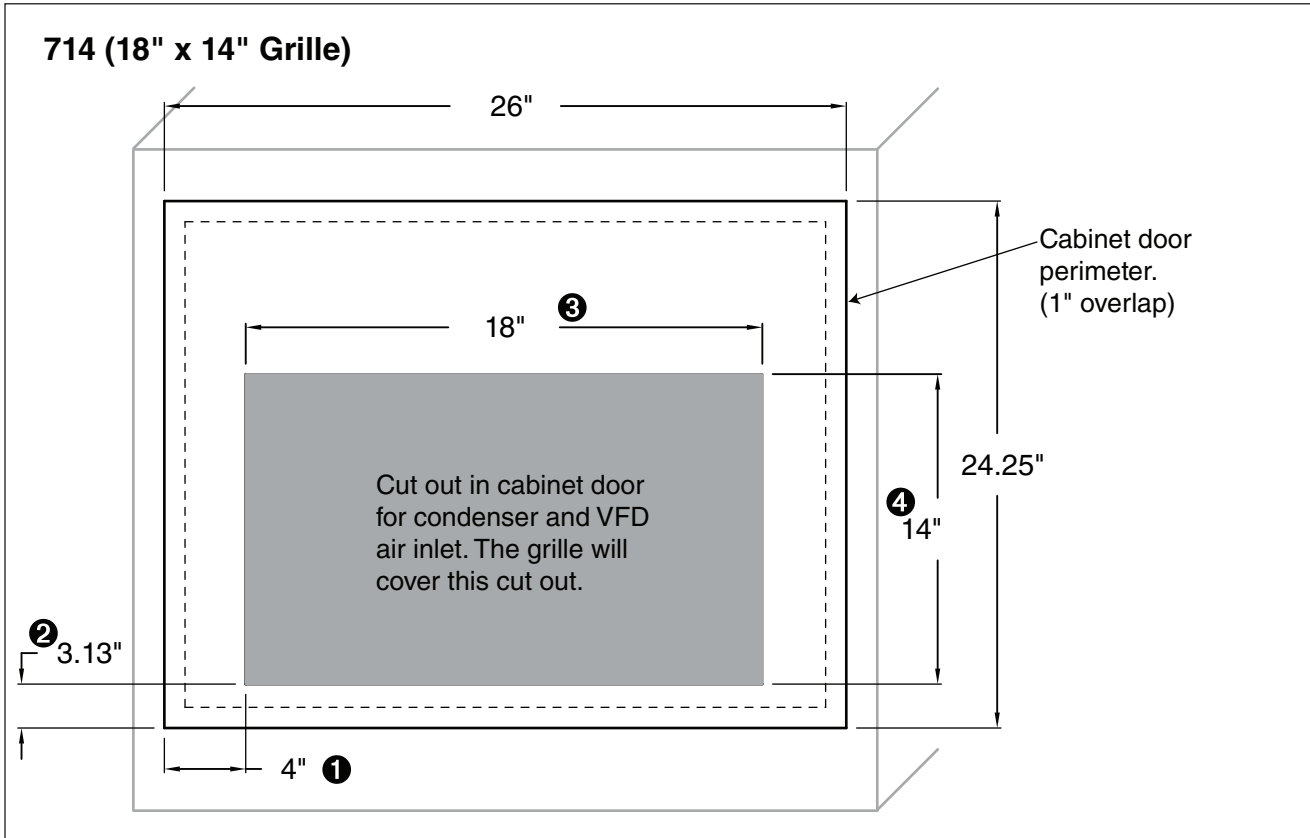
Fig. 1



4. Locate the Cutout for the Cabinet Door - 714

1. From the bottom left-hand corner of the cabinet door, measure in and mark 4" (Fig. 1.1).
2. From the bottom left-hand corner of the cabinet door, measure up and mark 3.13" (Fig. 1.2).
3. From the 4" mark, measure in and mark 18" (Fig. 1.3).
4. From the 3.13" mark, measure up and mark 14" (Fig. 1.4).
5. Cut out the 18" x 14" hole.

Fig. 2

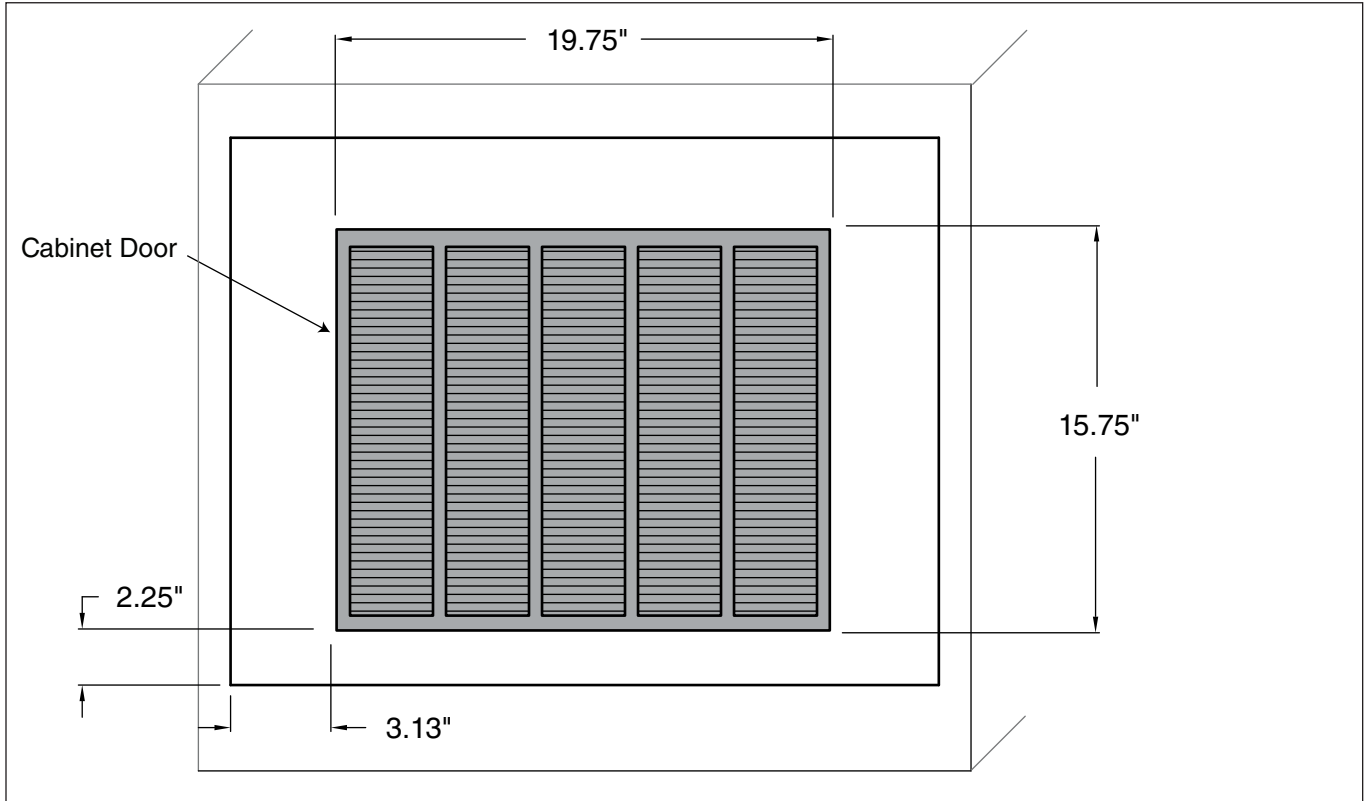


5. Locate the 714 Intake Grille on Cabinet Door

Note: Regardless if you are using the Follett-supplied grille or not, the gasket material must be applied to the front of the ice machine. See the *Apply Gasket* section for more information.

1. From the bottom left-hand corner of the cabinet door, measure in and mark 3.13" (Fig. 3.1).
2. From the bottom left-hand corner of the cabinet door, measure up and mark 2.25" (Fig. 3.2).
3. Place the left corner of the grille at this point and secure to the cabinet door.

Fig. 3



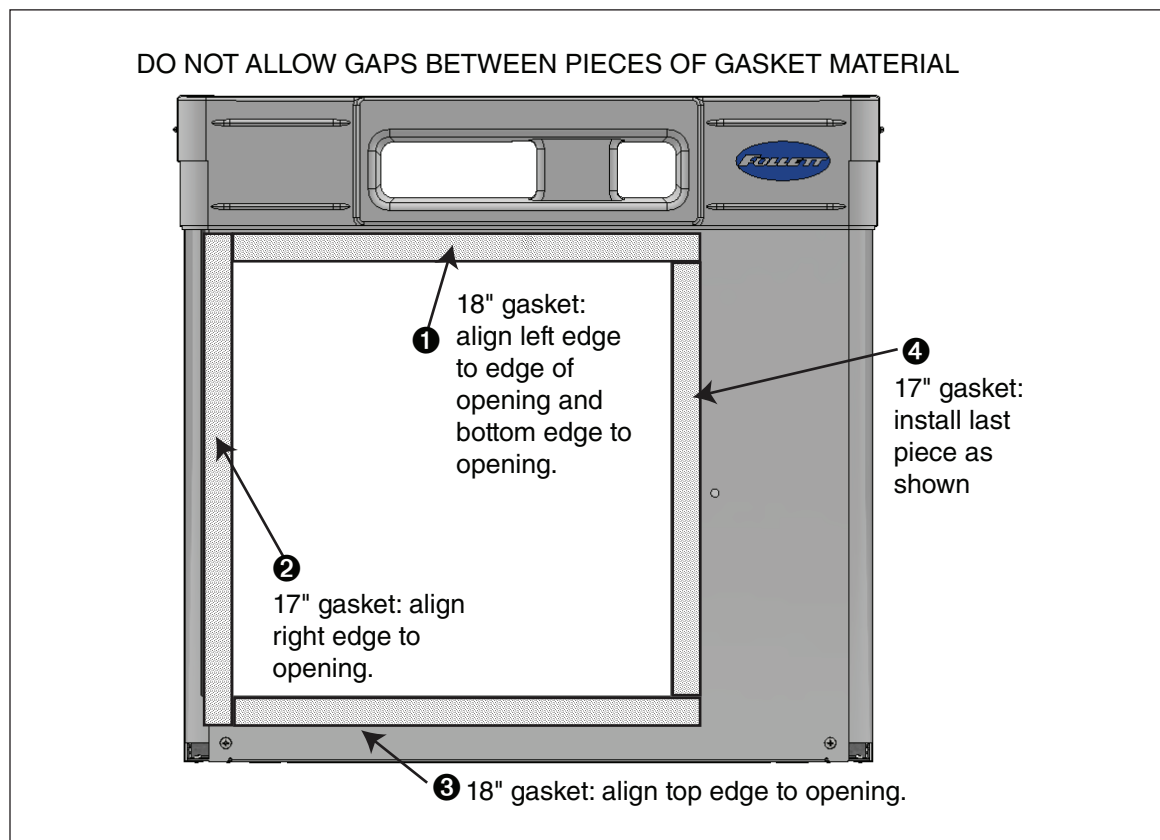
6. Apply Gasket

NOTICE!

- Keep ventilation openings in the appliance enclosure clear of obstruction. Failure to do so could result in damage to equipment.

1. Remove and discard front plastic grille of the ice machine.
2. Apply supplied gasket material on flat surface of stainless steel portion of front panel to prevent air recirculation.
3. Cut an 18" piece of gasket and align the left edge against the left edge of the opening the bottom edge with the top edge of the opening (**Fig. 4.1**).
4. Cut a 17" piece of gasket and align it against the right edge of the opening (**Fig. 4.2**).
5. Cut an 18" piece of gasket and align it against the top edge of the opening (**Fig. 4.3**).
6. Cut a 17" piece of gasket and install as shown (**Fig. 4.4**).

Fig. 4



7. Locate the Exhaust Grille

1. Position supplied exhaust grille at least 18" (458 mm) away from the intake grille. Where possible, install exhaust grille to the rear or side of the base cabinet.
2. The minimum cutout for the exhaust grille is 18.00" W x 14.00" H (45.72 cm x 35.56 cm).
3. Cut hole and install exhaust grille.

 **NOTICE!**

- Ice machine **MUST** be sanitized prior to operation!
- Consult User Guide provided with ice machine for sanitizing instructions.

Horizon Elite is a trademark of Follett Products, LLC.
Follett is a registered trademark of Follett Products, LLC.