

# Infinity Series™

## upright refrigerators



REF20i-4S-R000G

### Shelves



### Baskets



### Drawers



## Features

Patented "infinite speed" control technology delivers superior temperature, noise and energy management

- modular refrigeration system with variable capacity compressor and microprocessor controller provides a  $\pm 1$  C (1.8 F) temperature performance throughout the cabinet
- extremely quiet, 40 dBA
- ENERGY STAR® certified

Industry-exclusive plenum air distribution delivers cold air at five different levels on REF12i models and six levels on REF20i/25i models

### User-friendly interface

- 7" LCD capacitive touchscreen digital temperature display available in user-programmable C or F
- integral event and data logging with easy downloading via convenient USB port

### Protection for your valuable products

- UL certified to meet NSF/ANSI 456 standard for vaccine storage
- audible and visual high/low temperature, door open, power failure, low battery alarms
- anti-freeze function shuts off compressor to avoid over cooling of product
- alarm test validates hi/lo alarm settings

### Interchangeable storage options

- epoxy-coated "floating" shelves
- full extension, epoxy-coated "floating" baskets
- full-extension stainless steel drawers

### Stainless steel cabinet and high quality components

- full stainless steel interior and exterior provide resistance to rust and corrosion
- easily accessible quick-connect RTD product temperature probe with 1 year certificate of NIST-traceable calibration
- dished stainless floor contains spills for easy clean up
- heavy-duty dual casters roll easily and lock securely
- 2.75" (6.98 cm) of CARB compliant non-HFC foam throughout

### Heavy-duty door for ease of use and energy savings

- dual-pane glass door with ADA-compliant full length locking handle
- energy efficient low-E glass coating reduces energy loss by 30 - 50% compared to non-coated glass
- glass remains condensation-free to 27 C (80 F) at 60% RH
- self-closing hinges lock open at 90 degrees for easy product loading

### Cool, energy-efficient LED lights

- full length LED light bars illuminate all shelves, baskets or drawers
- energy-efficient LEDs allow products to be placed next to lights
- auto-on with door opening; ON/OFF front panel switch

### Warranty

- 2 year parts and labor
- 5 year compressor parts only
- see page 2 for optional extended warranties

Certifications (applied to all products unless otherwise noted)

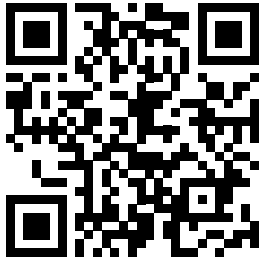


Vaccine Refrigerator  
NSF 456 – E524732  
Laboratory Equipment  
SAFETY US/CA – E520098

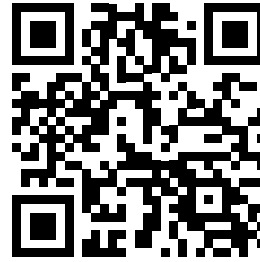


---

## Learn more



Pharmacy



Laboratory

---

## Options and accessories<sup>1</sup>

Replacement CRS (Complete Refrigeration System) module, all models (item# 01548791)

Replacement "quick connect" RTD probe with certificate of NIST-traceable calibration (item# 01540640)

REF12i shelf kit (includes 1 shelf and 4 screws) (item# 01059484)

REF20i shelf kit (includes 1 shelf and 4 screws) (item# 01548809)

REF25i shelf kit (includes 1 shelf and 4 screws) (item# 01548817)

REF12i basket kit (includes 1 basket and glide hardware) (item# 01543925)

REF20i basket kit (includes 1 basket and glide hardware) (item# 01548825)

REF25i basket kit (includes 1 basket and glide hardware) (item# 01548833)

REF12i drawer kit (includes 1 drawer and glide hardware) (item# 01543933)

REF20i drawer kit (includes 1 drawer and glide hardware) (item# 01548841)

REF25i drawer kit (includes 1 drawer and glide hardware) (item# 01548858)

Pyxis® compatible door bracket, all models (item# 00927202)

Omniceil® compatible door bracket, all models (item# 00966432)

medDISPENSE® compatible door bracket, all models (item# 00978296)

Glycerine, 16 oz (item# 00959296)

REF12i wall bracket kit, seismic anchoring (item# 01543883)

REF20i/25i wall bracket kit, seismic anchoring (item# 00927194)

Dry contact kit for refrigerators and freezers for connection to remote alarm systems (item# 01590579)

DicksonOne VFC-compliant freestanding display data logger with Wi-Fi and Ethernet capability for use with any refrigerator or freezer (item# 01528512). NOTE: Subscription from Dickson required to access data on the cloud.

DicksonOne VFC-compliant freestanding touchscreen data logger with Power Over Ethernet and Wi-Fi capability for use with any refrigerator or freezer (item# 01528538). NOTE: Subscription from Dickson required to access data on the cloud.

Ambient temperature and humidity sensor, right angle, for use with DicksonOne freestanding display and touchscreen data loggers (item# 01539691)

Optional extended one year warranty (item# EW12)

- 3 year parts and labor

- 5 year compressor parts only

Optional extended three year warranty (item# EW36)

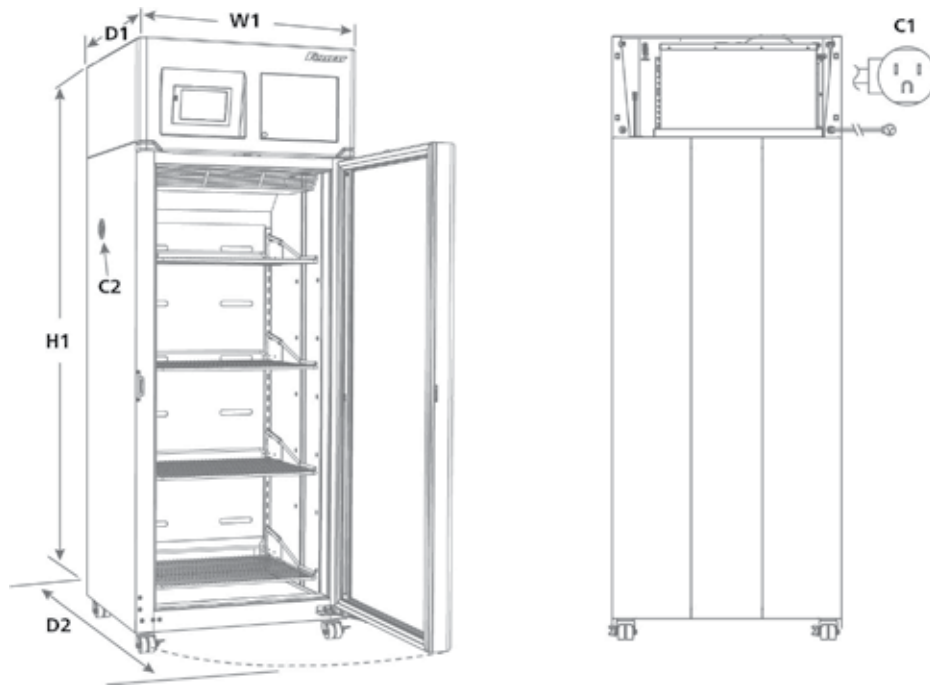
- 5 year parts and labor

For additional accessories, refer to the form# 8665.

NOTE: Accessories ship separately.

<sup>1</sup> Certifications do not apply to options and accessories.

## Dimensional drawing



## Specification

Ventilation clearance	REF12i – 10.00" (25.4 cm) top, 3.00" (7.62 cm) back REF20i/25i – 10.00" (25.4 cm) top, 2.00" (5.08 cm) back
-----------------------	--

### Exterior

Casters	(4) swiveling dual wheel casters with toe locks
<b>D2</b> Door swing	REF12i – 46.19" (117.3 cm) REF20i – 56.50" (143.5 cm) REF25i – 62.50" (158.8 cm)

### Interior

Lighting	REF12i – (1) energy efficient full length LED lights, left side REF20/25i – (2) energy efficient full length LED lights
Storage system	REF12i – 4 shelves, 5 baskets or 5 drawers REF20i/25i – 4 shelves, 6 baskets or 6 drawers
Inside shelf dimensions W x D	REF12i – 18.10" x 15.10" (46.0 x 38.4 cm) REF20i – 22.20" x 18.50" (56.4 x 47.0 cm) REF25i – 22.20" x 24.40" (56.4 X 62.0 cm)
Working load rating per shelf	REF12i – 35 lb (16 kg) REF20i – 63 lb (29 kg) REF25i – 83 lb (38 kg)
Max. load rating per shelf	REF12i – 55 lb (25 kg) REF20i – 95 lb (43 kg) REF25i – 125 lb (57 kg)
Max. number of shelves	REF12i – 13 REF20i/25i – 10
Inside basket dimensions W X D X H	REF12i – 17.10" x 16.40 x 6.00" (43.4 x 41.7 x 15.2 cm) REF20i – 21.75" x 19.25" x 5.88" (55.2 x 48.9 x 14.9 cm) REF25i – 21.75" x 24.19" x 5.88" (55.2 x 61.4 x 14.9 cm)
Space between baskets	8.00" (20.32 cm) from the bottom of one basket, to the bottom of the next
Working load rating per basket	REF12i – 35 lb (16 kg) REF20i – 59 lb (27 kg) REF25i – 78 lb (35 kg)
Max. load rating per basket	REF12i – 55 lb (25 kg) REF20i – 88 lb (40 kg) REF25i – 117 lb (53 kg)

Inside drawer dimensions W X D X H	REF12i – 17.80" x 14.60" x 3.00" (45.2 x 37.1 x 7.62 cm) REF20i – 22.50" x 19.94" x 3.00" (57.2 x 50.6 x 7.62 cm) REF25i – 22.50" x 25.94" x 3.00" (57.2 x 65.4 x 7.62 cm)
Space between drawers	8.00" (20.32 cm) from the bottom of one drawer, to the bottom of the next
Working load rating per drawer	REF12i – 35 lb (16 kg) REF20i – 59 lb (27 kg) REF25i – 78 lb (35 kg)
Max. load rating per drawer	REF12i – 55 lb (25 kg) REF20i – 88 lb (40 kg) REF25i – 117 lb (53 kg)

## Door configurations

Door	dual-pane glass door or solid stainless steel
Door lock	cylinder type with one key
Door handle	ADA-compliant, full length handle
Door hinges	self-closing with 90° hold open feature
Gasket	magnetic dart style (replaceable)

## Electrical

<b>C1</b> Electrical 115 V/60/1(103 - 132 V)	2.5 run load amps, NEMA 5-15 90° hospital-grade plug. 9' (2.7 m) cord.
Maximum size of branch circuit overcurrent device	15 amps dedicated circuit

## Controls

Temperature display	7" LCD capacitive touchscreen digital temperature display available in user-programmable C or F
<b>C2</b> 3rd party probe access	soft access port on left side of cabinet
Product temperature display probe	(1) quick-connect RTD ( $\pm 0.4$ C, $\pm 0.7$ F)
Temperature probe calibration	probe calibration in 0.1° increments
Password protection PIN	4 digit password to prevent interface setting/selection changes
Date and time	programmable
Product simulation bottle size	(1) 60 ml
Refrigeration and defrost probes	NTC thermistor type
Refrigeration cycle with probe error	factory set, user adjustable
Programmable operating range	2.2 to 10 C (36 to 50 F)
Factory preset	4.4 C

## Alarming

High and low product temperature alarm (top probe)	audible and visual, user programmable set points in C or F
Power failure alarm	audible and visual
Door ajar alarm	audible and visual
Probe error alarm	audible and visual – product temperature probes, refrigeration and defrost
Alarm mute	10 minute ring-back
Alarm volume	0-10 scale
Low battery alert	audible and visual
Back-up battery status	shows voltage level
Min/max temperature log	shows highest and lowest product temperature since last reset occurred
Alarm output	12V DC

## Data logging

Information log	graphs or displays temperature data and displays chronological event data (50,000 data points)
Data export	USB export capabilities

## System performance

Top-to-bottom temperature consistency	$\pm 1$ C (1.8 F)
Refrigeration system	integral top-mounted module
Refrigerant and charge	R600a refrigerant, 2.3 oz (65 grams)
Air circulation system	ducted air to each storage level through back plenum openings, front face return
Air temperature pull down	REF12i – 24 to 5 C (72 to 41 F) in 75 minutes REF20i/25i – 24 to 5 C (72 to 41 F) in 90 minutes

Energy consumption (auto-off defrost)	REF12i – 1.14 kWh/day REF20i – 3.43 kWh/day REF25i – 2.98 kWh/day
BTU/hr normal heat rejection (75 F ambient)	All models – 600 BTU/hr (176 Watts)
BTU/hr maximum (total) heat rejection, at maximum compressor speed (75 F ambient)	REF12i – 1350 BTU/hr (396 Watts) REF20i – 1335 BTU/hr (391 Watts) REF25i – 1350 BTU/hr (396 Watts)

### Shipping

Shipping size W x D x H	REF12i – 29.50" x 33.00" x 76.00" (74.9 x 83.8 x 193 cm) REF20i/25i – 42.00" x 43.00" x 86.00" (106.7 x 109.2 x 218.4 cm)
Approximate refrigeration module net weight	49 lb (22 kg)
Approximate net weight	REF12i – 322 lb (146 kg) REF20i – 448 lb (203 kg) REF25i – 470 lb (213 kg)
Approximate ship weight	REF12i – 420 lb (191 kg) REF20i – 519 lb (236 kg) REF25i – 541 lb (246 kg)

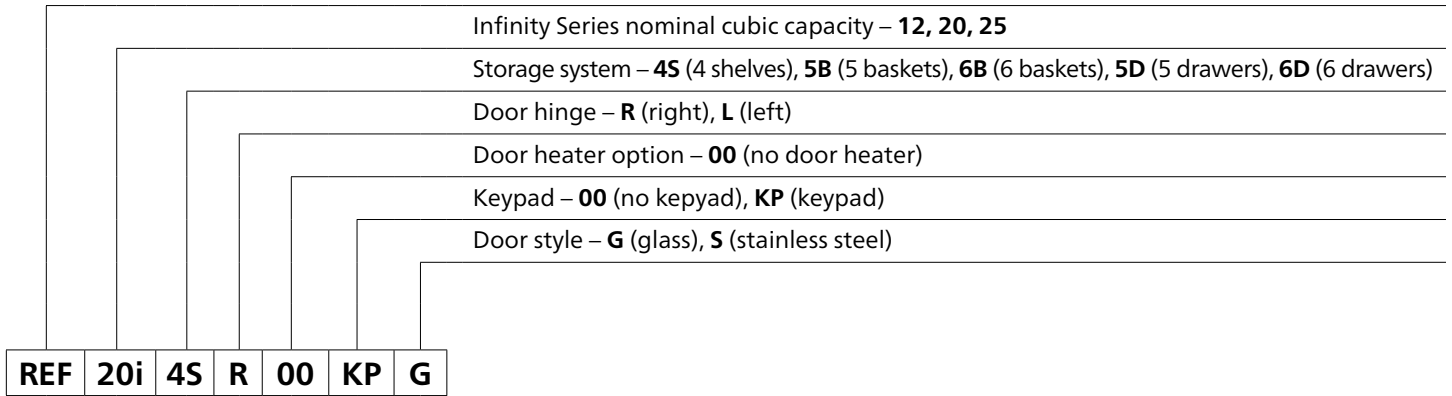
NOTE: For indoor use only

### SHORT FORM SPECS:

Infinity Series upright refrigerators with variable capacity compressor (choose one) with \_\_\_\_\_ 12.0 cu ft (340 L) or \_\_\_\_\_ 19.7 cu ft (558 L) or \_\_\_\_\_ 24.6 cu ft (697 L) of nominal capacity. To include (choose one) \_\_\_\_\_ full, epoxy-coated "floating" shelves or \_\_\_\_\_ full extension, epoxy-coated "floating" baskets or \_\_\_\_\_ full extension, stainless steel drawers with shielded roller bearings and stainless S-tracks. Each unit comes standard with a quick-connect RTD probe with one-year certificate of NIST-traceable calibration. 7" LCD capacitive touchscreen with user selectable C or F. Integral data and event logging, user-programmable temperature display and integral alarming functions. Air circulation system to duct air through back plenum openings with front face return. Storage area to be insulated with CARB compliant non-HFC foam. 9' (2.7 m) power cord with NEMA 5-15 90° hospital-grade plug. Certified to meet NSF/ANSI 456 standard for vaccine storage.

# Model configurations

## Model – Refrigerator



Item number	Nominal cubic capacity cu ft (L)	Vaccine storage capacity cu ft (L)	Storage system	Hinging	Door style	Keypad	Omnicell FlexLock-ready	W1 Width in (cm)	D1 Depth with handle in (cm)	H1 Height with casters in (cm)	Interior height in (cm)
REF12i-4S-R00G	12.0 (340)	7.2 (204)	4 shelves	right	glass	no	no	23.75 (60.3)	26.60 (67.6)	72.00 (182.9)	50.00 (127.0)
REF20i-4S-R0000G	19.7 (558)	12.7 (360)	4 shelves	right	glass	no	no	29.75 (75.6)	30.50 (77.5)	79.50 (201.9)	55.94 (142.1)
REF25i-4S-R0000G	24.6 (697)	16.8 (476)	4 shelves	right	glass	no	no	29.75 (75.6)	36.50 (92.7)	79.50 (201.9)	55.94 (142.1)
REF12i-4S-R00S	12.0 (340)	7.2 (204)	4 shelves	right	stainless	no	no	23.75 (60.3)	26.60 (67.6)	72.00 (182.9)	50.00 (127.0)
REF20i-4S-R0000S	19.7 (558)	12.7 (360)	4 shelves	right	stainless	no	no	29.75 (75.6)	30.50 (77.5)	79.50 (201.9)	55.94 (142.1)
REF25i-4S-R0000S	24.6 (697)	16.8 (476)	4 shelves	right	stainless	no	no	29.75 (75.6)	36.50 (92.7)	79.50 (201.9)	55.94 (142.1)
REF20i-4S-R00KPG	19.7 (558)	12.7 (360)	4 shelves	right	glass	yes	no	29.75 (75.6)	30.50 (77.5)	79.50 (201.9)	55.94 (142.1)
REF25i-4S-R00KPG	24.6 (697)	16.8 (476)	4 shelves	right	glass	yes	no	29.75 (75.6)	36.50 (92.7)	79.50 (201.9)	55.94 (142.1)
REF20i-4S-R00KPS	19.7 (558)	12.7 (360)	4 shelves	right	stainless	yes	no	29.75 (75.6)	30.50 (77.5)	79.50 (201.9)	55.94 (142.1)
REF25i-4S-R00KPS	24.6 (697)	16.8 (476)	4 shelves	right	stainless	yes	no	29.75 (75.6)	36.50 (92.7)	79.50 (201.9)	55.94 (142.1)
REF12i-4S-L00G	12.0 (340)	7.2 (204)	4 shelves	left	glass	no	no	23.75 (60.3)	26.60 (67.6)	72.00 (182.9)	50.00 (127.0)
REF20i-4S-L0000G	19.7 (558)	12.7 (360)	4 shelves	left	glass	no	no	29.75 (75.6)	30.50 (77.5)	79.50 (201.9)	55.94 (142.1)
REF25i-4S-L0000G	24.6 (697)	16.8 (476)	4 shelves	left	glass	no	no	29.75 (75.6)	36.50 (92.7)	79.50 (201.9)	55.94 (142.1)
REF12i-4S-L00S	12.0 (340)	7.2 (204)	4 shelves	left	stainless	no	no	23.75 (60.3)	26.60 (67.6)	72.00 (182.9)	50.00 (127.0)
REF20i-4S-L0000S	19.7 (558)	12.7 (360)	4 shelves	left	stainless	no	no	29.75 (75.6)	30.50 (77.5)	79.50 (201.9)	55.94 (142.1)
REF25i-4S-L0000S	24.6 (697)	16.8 (476)	4 shelves	left	stainless	no	no	29.75 (75.6)	36.50 (92.7)	79.50 (201.9)	55.94 (142.1)
REF20i-4S-L00KPG	19.7 (558)	12.7 (360)	4 shelves	left	glass	yes	no	29.75 (75.6)	30.50 (77.5)	79.50 (201.9)	55.94 (142.1)
REF25i-4S-L00KPG	24.6 (697)	16.8 (476)	4 shelves	left	glass	yes	no	29.75 (75.6)	36.50 (92.7)	79.50 (201.9)	55.94 (142.1)
REF20i-4S-L00KPS	19.7 (558)	12.7 (360)	4 shelves	left	stainless	yes	no	29.75 (75.6)	30.50 (77.5)	79.50 (201.9)	55.94 (142.1)
REF25i-4S-L00KPS	24.6 (697)	16.8 (476)	4 shelves	left	stainless	yes	no	29.75 (75.6)	36.50 (92.7)	79.50 (201.9)	55.94 (142.1)
REF12i-5B-R00G	12.0 (340)	7.6 (215)	5 baskets	right	glass	no	no	23.75 (60.3)	26.60 (67.6)	72.00 (182.9)	50.00 (127.0)
REF20i-6B-R0000G	19.7 (558)	12.8 (362)	6 baskets	right	glass	no	no	29.75 (75.6)	30.50 (77.5)	79.50 (201.9)	55.94 (142.1)
REF25i-6B-R0000G	24.6 (697)	16.4 (464)	6 baskets	right	glass	no	no	29.75 (75.6)	36.50 (92.7)	79.50 (201.9)	55.94 (142.1)
REF12i-5B-R00S	12.0 (340)	7.6 (215)	5 baskets	right	stainless	no	no	23.75 (60.3)	26.60 (67.6)	72.00 (182.9)	50.00 (127.0)
REF20i-6B-R0000S	19.7 (558)	12.8 (362)	6 baskets	right	stainless	no	no	29.75 (75.6)	30.50 (77.5)	79.50 (201.9)	55.94 (142.1)
REF25i-6B-R0000S	24.6 (697)	16.4 (464)	6 baskets	right	stainless	no	no	29.75 (75.6)	36.50 (92.7)	79.50 (201.9)	55.94 (142.1)
REF20i-6B-R00KPG	19.7 (558)	12.8 (362)	6 baskets	right	glass	yes	no	29.75 (75.6)	30.50 (77.5)	79.50 (201.9)	55.94 (142.1)
REF25i-6B-R00KPG	24.6 (697)	16.4 (464)	6 baskets	right	glass	yes	no	29.75 (75.6)	36.50 (92.7)	79.50 (201.9)	55.94 (142.1)

Item number	Nominal cubic capacity cu ft (L)	Vaccine storage capacity cu ft (L)	Storage system	Hinging	Door style	Keypad	Omnicell FlexLock-ready	W1 Width in (cm)	D1 Depth with handle in (cm)	H1 Height with casters in (cm)	Interior height in (cm)
REF20i-6B-R00KPS	19.7 (558)	12.8 (362)	6 baskets	right	stainless	yes	no	29.75 (75.6)	30.50 (77.5)	79.50 (201.9)	55.94 (142.1)
REF25i-6B-R00KPS	24.6 (697)	16.4 (464)	6 baskets	right	stainless	yes	no	29.75 (75.6)	36.50 (92.7)	79.50 (201.9)	55.94 (142.1)
REF12i-5B-L00G	12.0 (340)	7.6 (215)	5 baskets	left	glass	no	no	23.75 (60.3)	26.60 (67.6)	72.00 (182.9)	50.00 (127.0)
REF20i-6B-L0000G	19.7 (558)	12.8 (362)	6 baskets	left	glass	no	no	29.75 (75.6)	30.50 (77.5)	79.50 (201.9)	55.94 (142.1)
REF25i-6B-L0000G	24.6 (697)	16.4 (464)	6 baskets	left	glass	no	no	29.75 (75.6)	36.50 (92.7)	79.50 (201.9)	55.94 (142.1)
REF12i-5B-L00S	12.0 (340)	7.6 (215)	5 baskets	left	stainless	no	no	23.75 (60.3)	26.60 (67.6)	72.00 (182.9)	50.00 (127.0)
REF20i-6B-L0000S	19.7 (558)	12.8 (362)	6 baskets	left	stainless	no	no	29.75 (75.6)	30.50 (77.5)	79.50 (201.9)	55.94 (142.1)
REF25i-6B-L0000S	24.6 (697)	16.4 (464)	6 baskets	left	stainless	no	no	29.75 (75.6)	36.50 (92.7)	79.50 (201.9)	55.94 (142.1)
REF20i-6B-L00KPG	19.7 (558)	12.8 (362)	6 baskets	left	glass	yes	no	29.75 (75.6)	30.50 (77.5)	79.50 (201.9)	55.94 (142.1)
REF25i-6B-L00KPG	24.6 (697)	16.4 (464)	6 baskets	left	glass	yes	no	29.75 (75.6)	36.50 (92.7)	79.50 (201.9)	55.94 (142.1)
REF20i-6B-L00KPS	19.7 (558)	12.8 (362)	6 baskets	left	stainless	yes	no	29.75 (75.6)	30.50 (77.5)	79.50 (201.9)	55.94 (142.1)
REF25i-6B-L00KPS	24.6 (697)	16.4 (464)	6 baskets	left	stainless	yes	no	29.75 (75.6)	36.50 (92.7)	79.50 (201.9)	55.94 (142.1)
REF12i-5D-R00G	12.0 (340)	7.5 (212)	5 drawers	right	glass	no	no	23.75 (60.3)	26.60 (67.6)	72.00 (182.9)	50.00 (127.0)
REF20i-6D-R0000G	19.7 (558)	13.8 (391)	6 drawers	right	glass	no	no	29.75 (75.6)	30.50 (77.5)	79.50 (201.9)	55.94 (142.1)
REF25i-6D-R0000G	24.6 (697)	18.2 (515)	6 drawers	right	glass	no	no	29.75 (75.6)	36.50 (92.7)	79.50 (201.9)	55.94 (142.1)
REF12i-5D-R00S	12.0 (340)	7.5 (212)	5 drawers	right	stainless	no	no	23.75 (60.3)	26.60 (67.6)	72.00 (182.9)	50.00 (127.0)
REF20i-6D-R0000S	19.7 (558)	13.8 (391)	6 drawers	right	stainless	no	no	29.75 (75.6)	30.50 (77.5)	79.50 (201.9)	55.94 (142.1)
REF25i-6D-R0000S	24.6 (697)	18.2 (515)	6 drawers	right	stainless	no	no	29.75 (75.6)	36.50 (92.7)	79.50 (201.9)	55.94 (142.1)
REF12i-5D-L00G	12.0 (340)	7.5 (212)	5 drawers	left	glass	no	no	23.75 (60.3)	26.60 (67.6)	72.00 (182.9)	50.00 (127.0)
REF20i-6D-L0000G	19.7 (558)	13.8 (391)	6 drawers	left	glass	no	no	29.75 (75.6)	30.50 (77.5)	79.50 (201.9)	55.94 (142.1)
REF25i-6D-L0000G	24.6 (697)	18.2 (515)	6 drawers	left	glass	no	no	29.75 (75.6)	36.50 (92.7)	79.50 (201.9)	55.94 (142.1)
REF12i-5D-L00S	12.0 (340)	7.5 (212)	5 drawers	left	stainless	no	no	23.75 (60.3)	26.60 (67.6)	72.00 (182.9)	50.00 (127.0)
REF20i-6D-L0000S	19.7 (558)	13.8 (391)	6 drawers	left	stainless	no	no	29.75 (75.6)	30.50 (77.5)	79.50 (201.9)	55.94 (142.1)
REF25i-6D-L0000S	24.6 (697)	18.2 (515)	6 drawers	left	stainless	no	no	29.75 (75.6)	36.50 (92.7)	79.50 (201.9)	55.94 (142.1)

# Omnicell® FlexLock-ready models

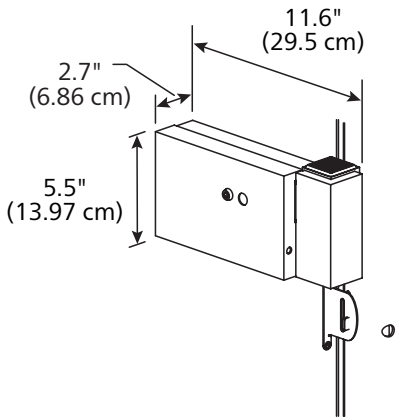
Follett refrigerators custom designed for the Omnicell XT FlexLock Refrigerator Lock and Temperature Monitor include pre-drilled holes to improve durability and decrease installation time. With Follett refrigerators and FlexLock, hospitals benefit from the enhanced medication management enabled by Omnicell's XT Automated Dispensing Cabinets. See REFOMN models on page 9.

## Features

Pre-drilled holes remove the need for double-sided tape and decrease wait-time required for adhesive to dry

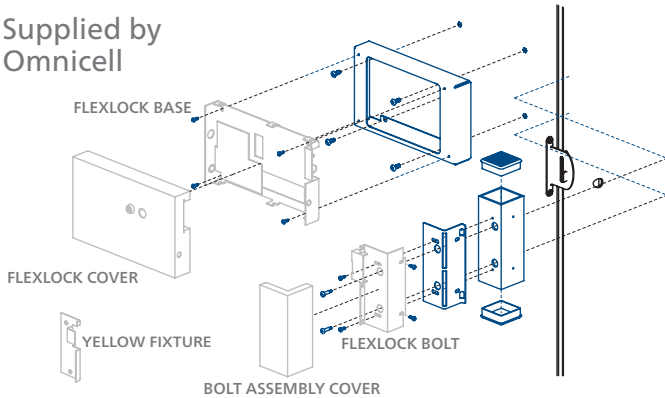
Quick and easy installation allows refrigerators to be service ready in less than 15 minutes

## Dimensional drawing

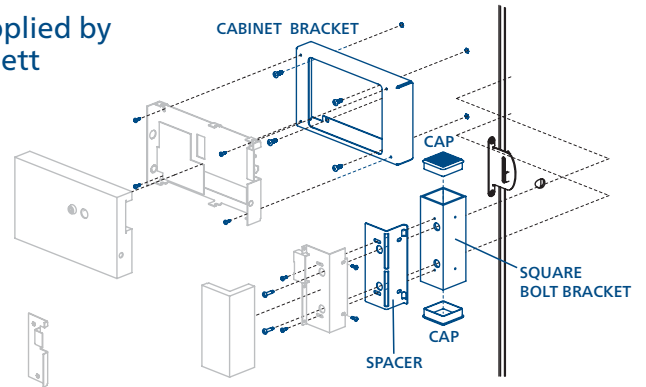


Supplied by Follett	Supplied by Omnicell
(1) Cabinet Bracket	(1) FlexLock Base
(1) Spacer Bracket, Door Bolt	(1) FlexLock Cover
(1) Square Bolt Bracket	(1) Yellow Fixture
(2) Cap Plug, 2" Square	(1) FlexLock Bolt
(4) Screw, #10-32 x 1/2" Long with Patch	(1) Bolt Assembly Cover
(2) Screw, #10-16 x 1" Long Drill Point	
(8) Screw, #6-32 x 3/8" Long Type F Self Threading	

### Supplied by Omnicell

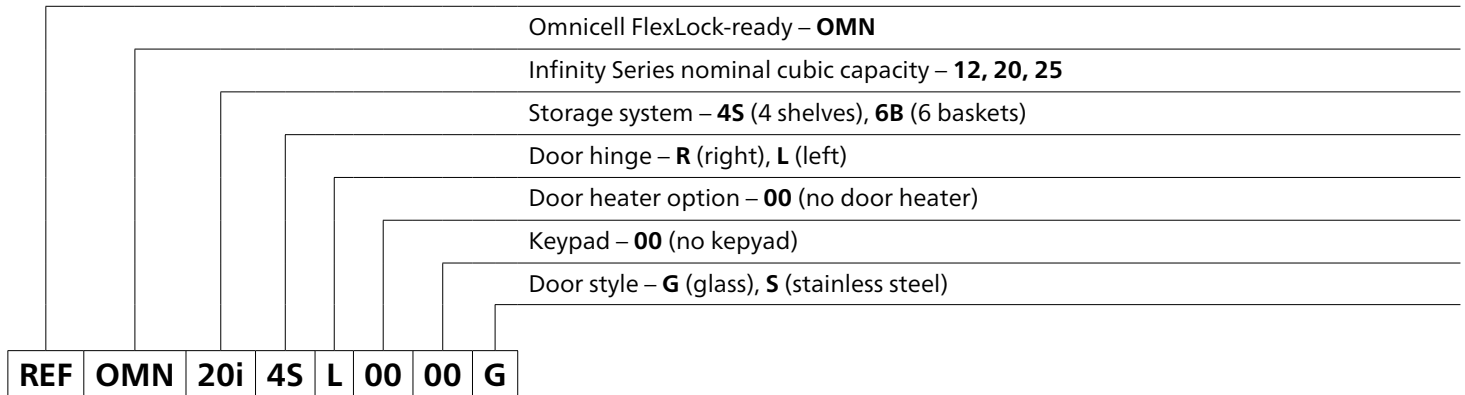


### Supplied by Follett



# OmniceLL FlexLock-ready model configurations

## Model – Refrigerator



Item number	Nominal cubic capacity cu ft (L)	Vaccine storage capacity cu ft (L)	Storage system	Hinging	Door style	Keypad	OmniceLL FlexLock-ready	W1 Width in (cm)	D1 Depth with handle in (cm)	H1 Height with casters in (cm)	Interior height in (cm)
<b>REFOMN12i-4S-R00G</b>	12.0 (340)	7.2 (204)	4 shelves	right	glass	no	yes	23.75 (60.3)	26.60 (67.6)	72.00 (182.9)	50.00 (127.0)
<b>REFOMN20i-4S-R0000G</b>	19.7 (558)	12.7 (360)	4 shelves	right	glass	no	yes	29.75 (75.6)	30.50 (77.5)	79.50 (201.9)	55.94 (142.1)
<b>REFOMN25i-4S-R0000G</b>	24.6 (697)	16.8 (476)	4 shelves	right	glass	no	yes	29.75 (75.6)	36.50 (92.7)	79.50 (201.9)	55.94 (142.1)
<b>REFOMN12i-4S-R00S</b>	12.0 (340)	7.2 (204)	4 shelves	right	stainless	no	yes	23.75 (60.3)	26.60 (67.6)	72.00 (182.9)	50.00 (127.0)
<b>REFOMN12i-4S-L00G</b>	12.0 (340)	7.2 (204)	4 shelves	left	glass	no	yes	23.75 (60.3)	26.60 (67.6)	72.00 (182.9)	50.00 (127.0)
<b>REFOMN20i-4S-L0000G</b>	19.7 (558)	12.7 (360)	4 shelves	left	glass	no	yes	29.75 (75.6)	30.50 (77.5)	79.50 (201.9)	55.94 (142.1)
<b>REFOMN25i-4S-L0000G</b>	24.6 (697)	16.8 (476)	4 shelves	left	glass	no	yes	29.75 (75.6)	36.50 (92.7)	79.50 (201.9)	55.94 (142.1)
<b>REFOMN20i-6B-R0000G</b>	19.7 (558)	12.8 (362)	6 baskets	right	glass	no	yes	29.75 (75.6)	30.50 (77.5)	79.50 (201.9)	55.94 (142.1)
<b>REFOMN25i-6B-R0000G</b>	24.6 (697)	16.4 (464)	6 baskets	right	glass	no	yes	29.75 (75.6)	36.50 (92.7)	79.50 (201.9)	55.94 (142.1)
<b>REFOMN20i-6B-L0000G</b>	19.7 (558)	12.8 (362)	6 baskets	left	glass	no	yes	29.75 (75.6)	30.50 (77.5)	79.50 (201.9)	55.94 (142.1)
<b>REFOMN25i-6B-L0000G</b>	24.6 (697)	16.4 (464)	6 baskets	left	glass	no	yes	29.75 (75.6)	36.50 (92.7)	79.50 (201.9)	55.94 (142.1)

ENERGY STAR and the ENERGY STAR mark are registered trademarks owned by the U.S. Environmental Protection Agency.  
OMNICELL and the Omnicell brandmark are registered trademarks of Omnicell, Inc. in the United States and internationally. ©2021 All rights reserved.  
INFINITY SERIES is a trademark of Follett Products, LLC.  
FOLLETT and FOLLETT HEALTHCARE are registered trademarks of Follett Products, LLC, registered in the US.  
Follett reserves the right to change specifications at any time without obligation.

## Infinity Series upright refrigerators

---

1027-20260513 | © Follett Products, LLC

801 Church Lane | Easton, PA 18040, USA  
1.800.523.9361 | 1.610.252.7301 | folletthealthcare.com

