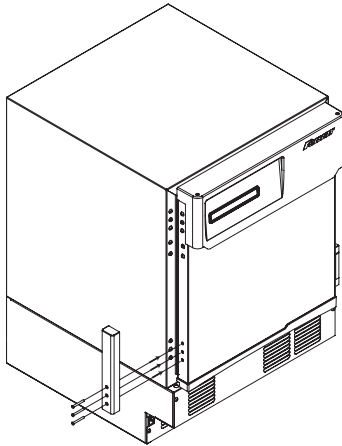


Item# 01059096

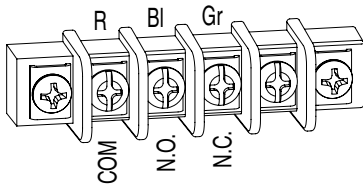


Universal automated medication dispensing cabinet bracket for undercounter Performance Plus refrigerators and freezers

Universal door bracket allows Follett® Performance Plus undercounter refrigerators and freezers to be used with all automated medication dispensing locking systems. Not required for countertop units.

- brushed aluminum bracket mounts to side of door to create 90 degree angle flush with side of cabinet (attaches with 3 screws onto side of door)
- facilitates installation of any automated medication dispensing system locks
- undercounter installations require side clearances for lock boxes (check with your medication dispensing system representative)
- shipping dimensions – 11.00" x 9.00" x 7.00" (27.9 x 22.9 x 17.8 cm)
- shipping weight – 3 lb (1.4 kg)

Item# 01092022

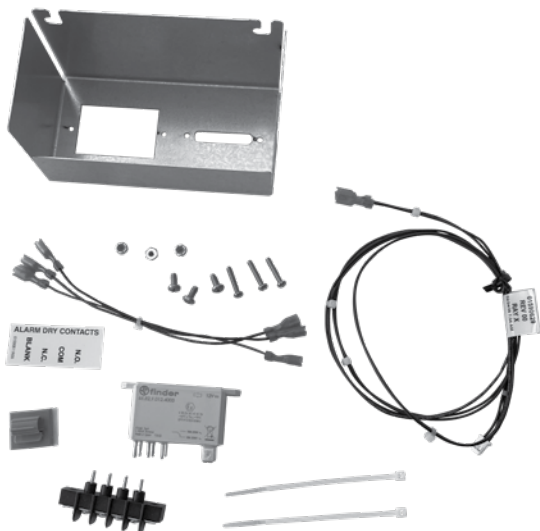


Dry (NO/NC) contacts for countertop and Performance Plus undercounter refrigerators

For connection to remote alarming via dry (NO/NC) contacts (LED control units only). For use with countertop REF1/REF2 and FZR1/FZR2 and Performance Plus undercounter refrigerators and freezers. Factory-installed in Performance Plus touchscreen units.

- includes cable and rear panel connection block
- shipping dimensions – 8.00" x 5.00" x 5.00" (20.3 x 12.7 x 12.7 cm)
- shipping weight – 1 lb (0.5 kg)

Item# 01590579

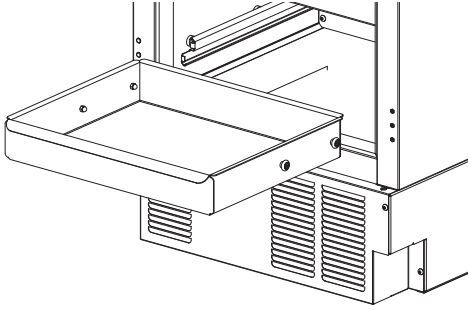


Dry contact kit for Infinity Series refrigerators and freezers

For connection to remote alarming systems via dry (NO/NC) contacts. For use with all Infinity Series refrigerators and freezers.

- includes the following
 - mounting bracket
 - explosion-proof relay with 8/32" pan head screws (2)
 - 4-pole terminal block with 6/32" pan head bolts (2) and 6/32" Nyloc nuts (2)
 - terminal block pole description sticker
 - relay to terminal block harness
 - terminal block to façade harness
 - zip ties
- shipping dimensions – 10.00" x 8.00" x 7.00" (25.4 x 20.3 x 17.8 cm)
- shipping weight – 2 lb (0.9 kg)

Item# 01543933 – Infinity Series
Item# 01053644 – Performance Plus
Item# 01067750 – Performance Plus

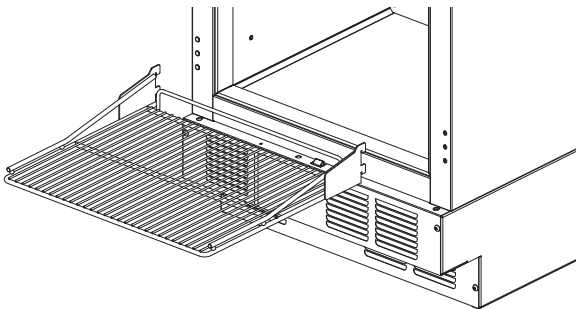


Additional drawers for Infinity Series and Performance Plus undercounter refrigerators and freezers

The Infinity Series and Performance Plus refrigerator and freezer models offer flexible internal storage options. Drawers and shelves are interchangeable and can be used in combination.

- item# 01543933 – Infinity Series
 - includes 1 drawer and glide hardware
 - drawer dimensions – 14.63" x 17.82" x 3.00" (37.2 x 44.8 x 7.62 cm)
 - shipping dimensions – 24.00" x 24.00" x 7.00" (61.0 x 61.0 x 17.8 cm)
 - shipping weight – 12 lb (5.4 kg)
- item# 01053644 – Performance Plus
 - includes 1 drawer, glide hardware and flush front panel
 - drawer dimensions – 14.63" x 17.82" x 3.00" (37.2 x 44.8 x 7.62 cm)
 - shipping dimensions – 24.00" x 24.00" x 7.00" (61.0 x 61.0 x 17.8 cm)
 - shipping weight – 12 lb (5.4 kg)
- item# 01067750 – Performance Plus
 - includes 2 drawers, glide hardware and flush front panels
 - drawer dimensions – 14.63" x 17.82" x 3.00" (37.2 x 44.8 x 7.62 cm)
 - shipping dimensions – 25.00" x 25.00" x 13.00" (63.5 x 63.5 x 33.0 cm)
 - shipping weight – 27 lb (12.2 kg)

Item# 01059484

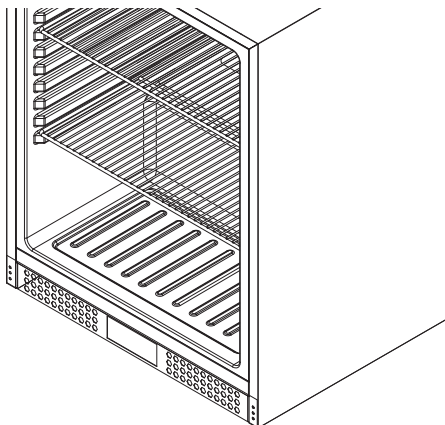


Additional shelf for Infinity Series and Performance Plus undercounter refrigerators and freezers

The Infinity Series and Performance Plus refrigerator and freezer models offer flexible internal storage options. Drawers and shelves are interchangeable and can be used in combination.

- includes 1 epoxy-coated wire shelf
- dimensions for shelf – 18.10" x 19.10" (46.0 x 48.5 cm)
- shipping dimensions – 20.00" x 18.00" x 5.00" (50.8 x 45.7 x 12.7 cm)
- shipping weight – 5 lb (2.3 kg)

Item# 01557727

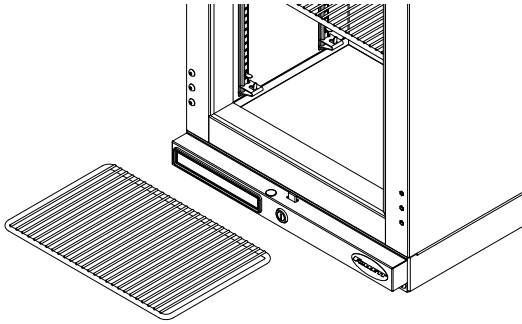


Additional shelves for REFADV5 undercounter refrigerators

For Follett Advantage® undercounter refrigerators.

- includes 2 wire shelves, adjustable in 1.375" (3.49 cm) increments
- dimensions for shelf – 19.00" x 18.00" (48.3 x 45.7 cm)
- shipping dimensions – 24.00" x 24.00" x 3.00" (61.0 x 61.0 x 7.62 cm)
- shipping weight – 8 lb (3.6 kg)

Item# 00969956



Additional shelf for countertops

For Follett countertop refrigerators and freezers.

- includes 1 epoxy-coated wire shelf, adjustable in 0.5" (13 mm) increments (except FZR1)
- dimensions – 13.81" x 9.06" (35.08 x 23.01 cm)
- shipping dimensions – 19.00" x 11.00" x 7.00" (48.3 x 27.9 x 17.78 cm)
- shipping weight – 3 lb (1.4 kg)

Item# 00969931

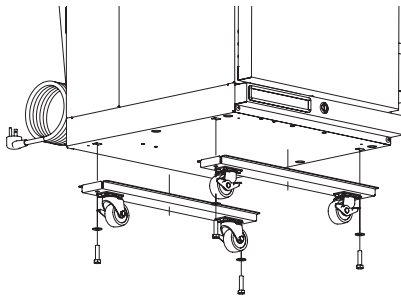


Organizing bins for countertops

For countertop refrigerators and freezers.

- set of six
- color varies
- outer bin dimensions – 3.00" x 4.00" x 8.00" (7.62 x 10.16 x 20.32 cm)
- shipping dimensions – 19.00" x 11.00" x 7.00" (48.3 x 27.9 x 17.78 cm)
- shipping weight – 4 lb (1.8 kg)

Item# 01111947

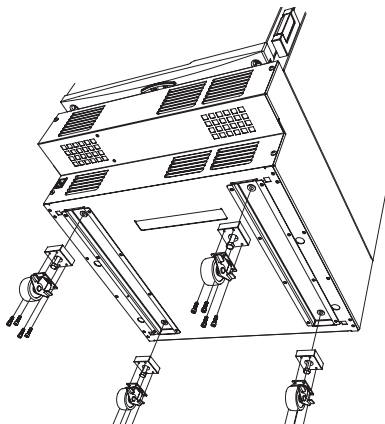


Caster kit for countertops

Optional casters provide easy moving for cleaning behind Follett countertop refrigerators and freezers.

- 4 heavy-duty locking casters
- mounting hardware included
- casters add 3.25" (8.26 cm) to height of the unit
- NOTE: Casters cannot be used with stacked units or pedestal
- shipping dimensions – 18.00" x 10.00" x 7.00" (45.7 x 25.4 x 17.78 cm)
- shipping weight – 6 lb (3 kg)

Item# 01053636



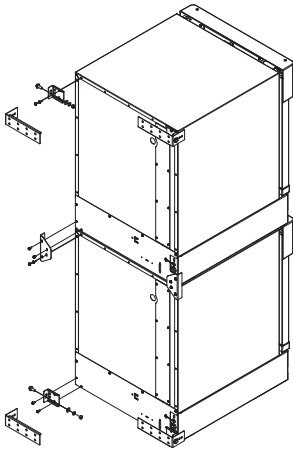
Caster kit for undercounters

Optional casters provide easy moving for cleaning behind Follett Infinity Series and Performance Plus undercounter refrigerators and freezers.

- 4 heavy-duty casters (2 locking, 2 non-locking)
- spacers included
- casters add 2.50" (6.35 cm) to height of the unit
- NOTE: Casters cannot be used with stacked units or 17.00" (43.2 cm) pedestal
- shipping dimensions – 11.00" x 9.00" x 7.00" (27.9 x 22.86 x 17.78 cm)
- shipping weight – 4 lb (1.8 kg)

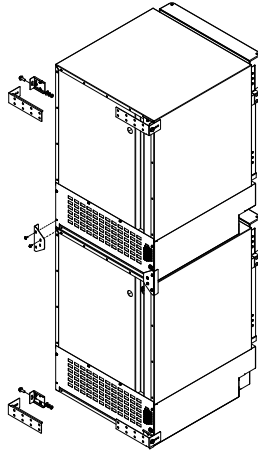
Item# 01588953

(Infinity Series stacked on Infinity Series)



Item# 01054006

(Infinity Series stacked on Performance Plus or Performance Plus stacked on Performance Plus)

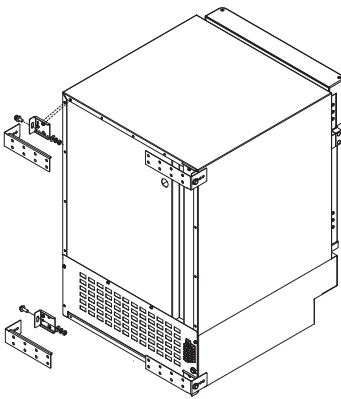


Stacking kits for undercounter on undercounter

Brackets and wall anchor hardware maximize floor space by allowing Follett Infinity Series or Performance Plus undercounter refrigerators or freezers to be stacked.

- stainless steel kit includes back brackets to secure units together
- stainless steel wall brackets to anchor stacked configuration to wall
- two stainless steel flush front kickplates included in item# 01059484
- shipping dimensions – 28.00" x 16.00" x 5.00" (71.1 x 40.6 x 12.70 cm)
- shipping weight – 8 lb (3.6 kg)

Item# 01059104

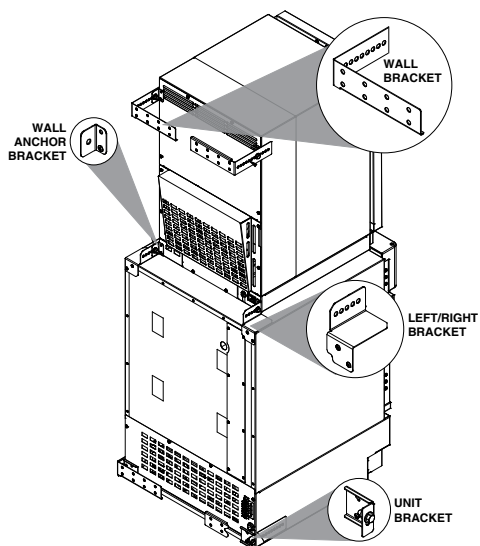


Seismic bracket for undercounters

Metal brackets with included hardware designed to secure a single Infinity Series or Performance Plus undercounter refrigerator or freezer.

- shipping dimensions – 11.00" x 9.00" x 7.00" (27.9 x 22.86 x 17.78 cm)
- shipping weight – 4 lb (1.8 kg)

Item# 01100759

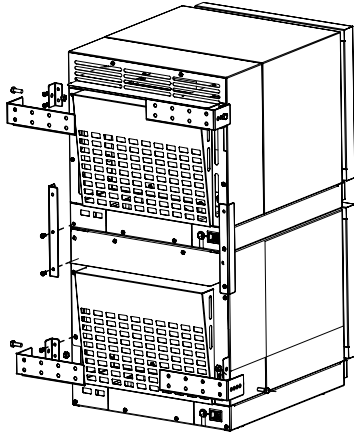


Stacking kit for countertop on undercounter

Stainless steel stacking kit maximizes space by allowing a combination of any Follett countertop refrigerator or freezer to be stacked on a Follett Infinity Series or Performance Plus refrigerators or freezers.

- kit includes brackets to secure units together and anchor the stacked configuration to the wall
- shipping dimensions – 25.00" x 14.00" x 14.00" (63.5 x 35.6 x 35.6 cm)
- shipping weight – 4 lb (1.8 kg)

Item# 01100742

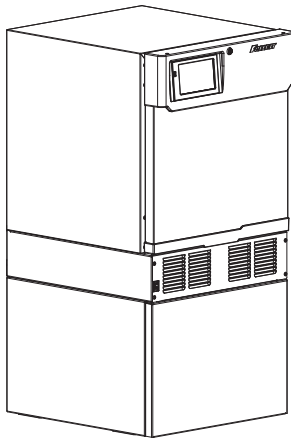


Stacking kit for countertop on countertop

Stainless steel stacking kit maximizes space by allowing a combination of any Follett countertop refrigerator or freezer to be stacked.

- may be used with either REF1i/REF1/FZR1 or REF2i/REF2/FZR2 models
- kit includes brackets to secure units together and anchor the stacked configuration to the wall
- shipping dimensions – 11.00" x 9.00" x 7.00" (27.9 x 22.86 x 17.78 cm)
- shipping weight – 4 lb (1.8 kg)

Item# 01586122

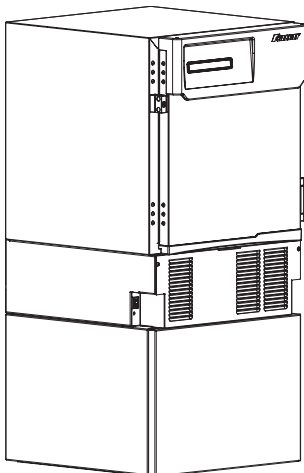


17.00" (43.2 cm) pedestal base for Infinity Series undercounter refrigerators

Stainless steel base elevates Follett undercounter Infinity Series refrigerator height allowing easy access.

- 23.75" W x 25.60" D (60.3 cm x 65.0 cm)
- leveling feet with plastic glides
- ships in separate carton
- shipping dimensions – 30.00" x 33.00" x 24.00" (76.2 x 83.8 x 61.0 cm)
- shipping weight – 69 lb (31.3 kg)

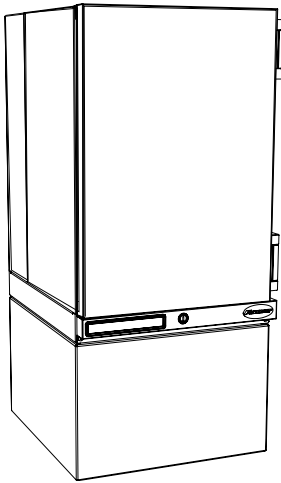
Item# 01059120



17.00" (43.2 cm) pedestal base for Performance Plus undercounter refrigerators and freezers

Stainless steel base elevates Follett undercounter Performance Plus refrigerator or freezer height allowing easy access.

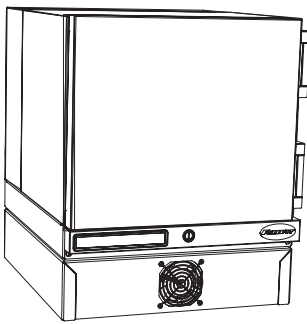
- same footprint as the refrigerator or freezer – 23.75" W x 24.00" D (60.3 cm x 61.0 cm)
- leveling feet with plastic glides
- ships in separate carton
- includes flush-front kick plate
- shipping dimensions – 30.00" x 33.00" x 24.00" (76.2 x 83.8 x 61.0 cm)
- shipping weight – 69 lb (31.3 kg)

Item# 01025881

12.00" (30.5 cm) pedestal base for countertop refrigerators and freezers

Stainless steel base elevates Follett countertop refrigerators and freezers above the floor for improved access. Requires a minimum of 2.00" (5.08 cm) on each side and 8.00" (20.32 cm) on top for ventilation. If less than 8.00" (20.32 cm) of top clearance is available, 6.00" (15.24 cm) right or left clearance is required.

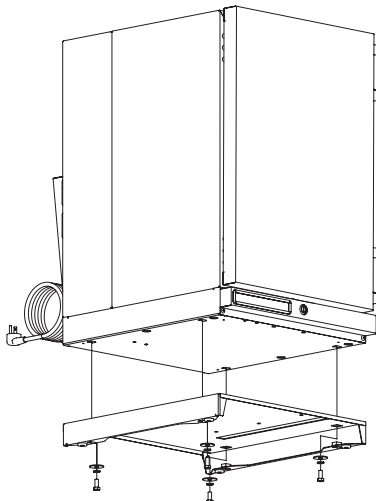
- may be used with either REF1i/REF1/FZR1 or REF2i/REF2/FZR2 models - 18.60" (47.2 cm) wide x 20.00" (50.8 cm) deep
- rubberized feet protect surfaces and reduce equipment movement
- pedestal ships in separate carton
- shipping dimensions – 24.00" x 24.00" x 21.00" (61.0 x 61.0 x 53.3 cm)
- shipping weight – 31 lb (14.1 kg)

Item# 01025899

4.50" (11.43 cm) pedestal base for countertop FZR1/FZR2 freezers

Fan assist pedestal provides additional air circulation to eliminate the need for side clearance on Follett countertop FZR1/FZR2 freezers. A minimum of 2.00" (5.08 cm) top clearance is required.

- may be used with either FZR1 or FZR2 models - 18.60" (47.2 cm) wide x 20.00" (50.8 cm) deep
- rubberized feet protect surfaces and reduce equipment movement
- pedestal ships in separate carton
- shipping dimensions – 24.00" x 24.00" x 7.00" (61.0 x 61.0 x 17.78 cm)
- shipping weight – 15 lb (6.8 kg)

Item# 01184845

2.00" (5.08 cm) pedestal base for countertop FZR1/FZR2 freezers

Stainless steel base elevates Follett countertop FZR1/FZR2 freezers above the floor for improved access. Requires a minimum of 2.00" (5.08 cm) on each side and 8.00" (20.32 cm) on top for ventilation. If less than 8.00" (20.32 cm) of top clearance is available, 6.00" (15.24 cm) right or left clearance is required.

- may be used with either FZR1 or FZR2 models - 18.60" (47.2 cm) wide x 20.00" (50.8 cm) deep
- rubberized feet protect surfaces and reduce equipment movement
- pedestal and mounting hardware ships in separate carton
- shipping dimensions – 24.00" x 24.00" x 4.00" (61.0 x 61.0 x 10.16 cm)
- shipping weight – 12 lb (5.4 kg)

Item# 01528512

DWE-VFC data logger

Dickson VFC-compliant display data logger with Wi-Fi or Ethernet capability. Ships with glycol thermistor sensor and a 1-Point NIST calibration.

- includes: data logger, probe, certificate of calibration, and USB cable (subscription sold separately, contact Dickson for pricing)
- alarm type – text, email, phone call, audio, and visual
- local storage of 400,000 sample points
- AC powered with rechargeable battery backup (one week of backup power)
- one sensor port
- VFC/CDC compliant
- dimensions – 1.70" x 4.25" x 4.25" (4.32 x 10.80 x 10.80 cm)
- shipping dimensions – 8.00" x 5.00" x 5.00" (20.32 x 12.70 x 12.70 cm)
- shipping weight – 4 lb (1.8 kg)

Item# 01528538

TWP-VFC data logger

Dickson VFC-compliant display data logger with Power Over Ethernet or Wi-Fi capability. Ships with glycol thermistor sensor and a 1-Point NIST calibration.

- includes: data logger, probe, certificate of calibration, and USB cable (subscription sold separately, contact Dickson for pricing)
- alarm type – text, email, phone call, audio/visual
- local storage of 1 million sample points
- AC powered with rechargeable battery backup (70 hours of backup power)
- two sensor ports
- LCD touchscreen
- VFC/CDC compliant
- dimensions – 8.50" x 1.75" x 7.00" (21.59 x 4.45 x 17.78 cm)
- shipping dimensions – 11.00" x 9.00" x 9.00" (27.94 x 22.86 x 22.86 cm)
- shipping weight – 4 lb (1.8 kg)

Item# 01539691

Ambient temperature and humidity sensor

Dickson ambient temperature and humidity sensor (right angle) is perfect for monitoring clean rooms and more.

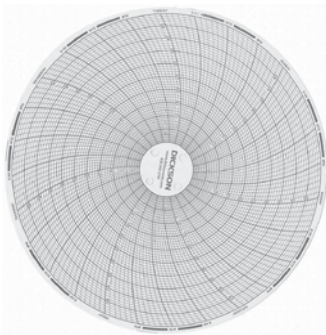
- temperature accuracy +/-0.8 F from 20.0 to 122.0 F 1.8 F (+/-0.4 C from -6.7 to 50.0 C 1.0 C)
- temperature range -40.0 to 185.0 F (-40.0 to 85.0 C)
- humidity accuracy +/-2.0% RH from 5.0 to 95.0% RH
- shipping dimensions – 8.00" x 5.00" x 5.00" (20.32 x 12.70 x 12.70 cm)
- shipping weight – 3 lb (1.4 kg)

Item# 01570860

Temperature surveillance module

All-in-one temperature surveillance module provides extra security for critical product storage.

- for use with all countertop and undercounter refrigerators and freezers
- audible/visual alarm with user-selectable recording time frames and ranges
- compact chart recorder with easy-to read 8.00" (20.32 cm) 7-day chart
- digital product temperature display
- LED power status indicator
- remote contacts for connecting to central alarm system
- (4) C battery backup
- includes product simulation bottle and box of (60) 7-day charts (-50 to 50)
- 4' (1.23 m) probe wire
- 6' (1.8 m) power cord and AC adapter
- compact 9.375" W x 2.75" D x 10.125" H (23.81 cm x 6.99 cm x 25.7 cm)
- warranty – 12 months limited
- replacement charts (box of 60, 7-day, -50 to 50) (item# 01574086)
- replacement pens, 6" or 8" charts (box of 6, red) (item# 00162081)
- shipping weight – 5 lb (2.3 kg)

Item# 00162099

Replacement 6" charts

Replacement charts for temperature surveillance module, item# 00168674.

- box of 60, 7-day, -50 to 50 charts
- shipping dimensions – 11.00" x 9.00" x 7.00" (27.94 x 22.86 x 45.21 cm)
- shipping weight – 1 lb (0.5 kg)

Item# 01588961

Replacement overmolded NTC probe

The temperature probe monitors the interior temperature conditions of a refrigerator or freezer to ensure proper display and alarming.

- certificate of NIST-traceable calibration
- 15' (4.6 m) probe wire with immersible tip
- bottle not included
- shipping dimensions – 10.00" x 8.00" x 6.00" (25.4 x 20.32 x 15.24 cm)
- shipping weight – 1 lb (0.5 kg)

INFINITY SERIES is a trademark of Follett Products, LLC.

FOLLETT, FOLLETT ADVANTAGE and FOLLETT HEALTHCARE are registered trademarks of Follett Products, LLC, registered in the US.

Follett reserves the right to change specifications at any time without obligation. Certifications may vary depending on country of origin.

Compact refrigerator and freezer accessories