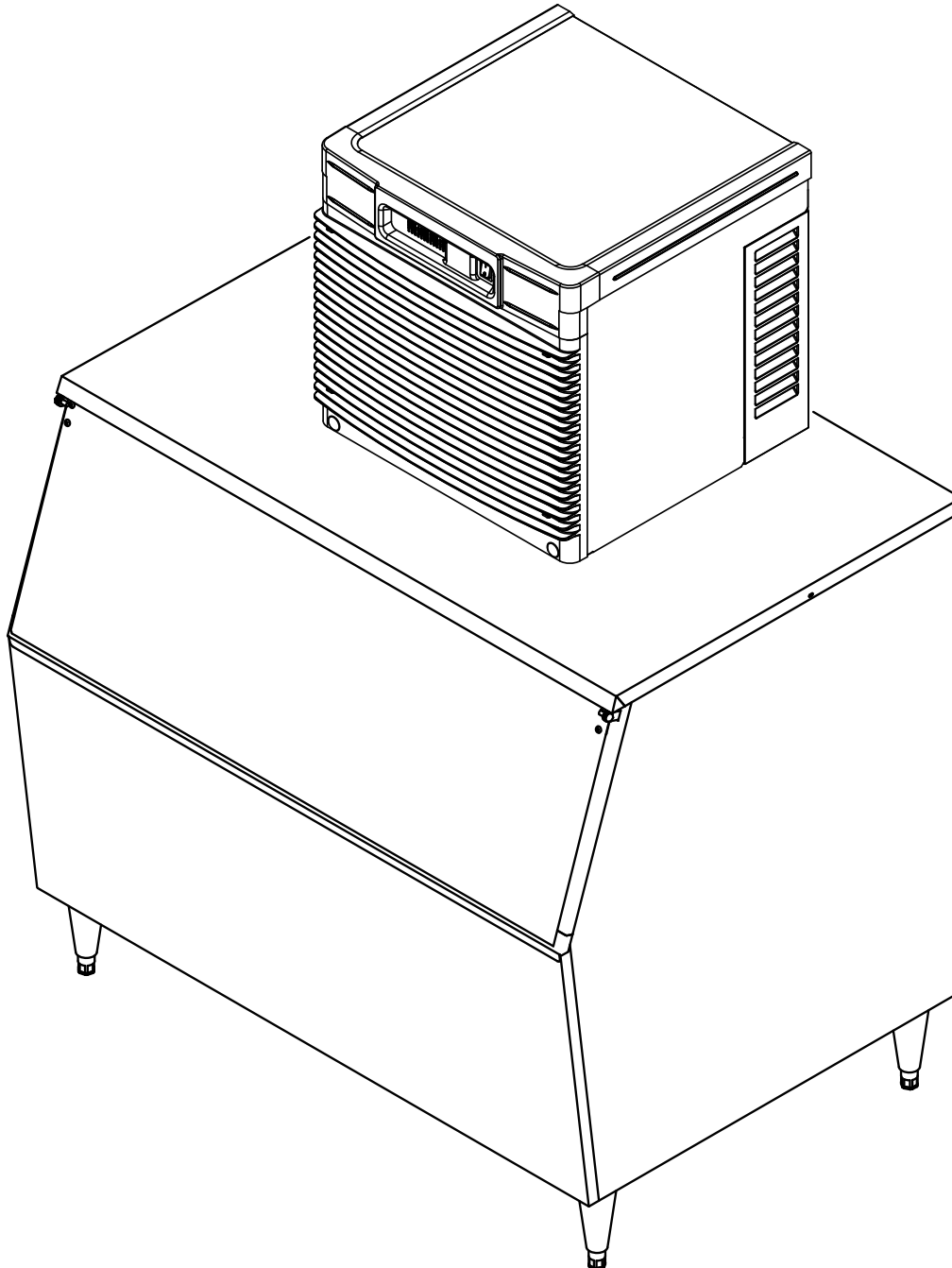
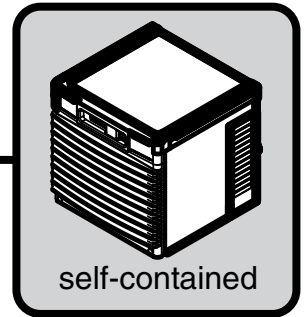


Maestro Plus™ Ice Machine Installation Instructions for Ice Storage Bin Top-mount Applications

D414AT, D414ATF, E414AT, E414ATF

Order parts online
www.follettice.com





1.1.1 Caution: Risk of fire.

1.1.2 Warning: Keep ventilaton openings clear of obstruction.

1.1.3 Warning: Do not damage the refrigerant circuit.

1.1.4 Warning: Connect to potable water supply only.



CAUTION!

- Do not tilt unit further than 30° off vertical during uncrating or installation.
- Dispenser bin area contains mechanical, moving parts. Keep hands and arms clear of this area at all times. If access to this area is required, power to unit must be disconnected first.
- This appliance is not suitable for installation in an area where a water jet could be used.
- This appliance must not be cleaned by a water jet.
- User maintenance should not be done by children.
- Follett recommends a Follett water filter system be installed in the ice machine inlet water line (standard capacity, high capacity, carbonless high capacity).
- Prior to operation clean the dispenser in accordance with instructions found in this manual.
- Do not block air intake or exhaust.
- This appliance should be permanently connected by a qualified person in accordance with application codes.
- A qualified person shall provide a readily accessible disconnect device incorporated into the fixed wiring.
- If the supply cord is damaged, it must be replaced by the manufacturer, its service agent or similarly qualified persons in order to avoid a hazard.
- This appliance can be used by children aged 8 years and above and persons with reduced physical, sensory, or mental capabilities, or lack of experience and knowledge if they have been given supervision or instruction concerning use of the appliance in a safe way and understand the hazards involved. Children should be supervised to ensure that they do not play with the appliance.
- This appliance is designed for commercial use.
- **WARNING!** To avoid a hazard due to instability of the appliance, it must be fixed in accordance with the instructions.
- Warranty does not cover exterior or outside installations.
- To reduce risk of shock, disconnect power before servicing.
- Connect to potable water supply only.
- Ice is slippery. Maintain counters and floors around dispenser in a clean and ice-free condition.
- Ice is food. Follow recommended cleaning instructions to maintain cleanliness of delivered ice.

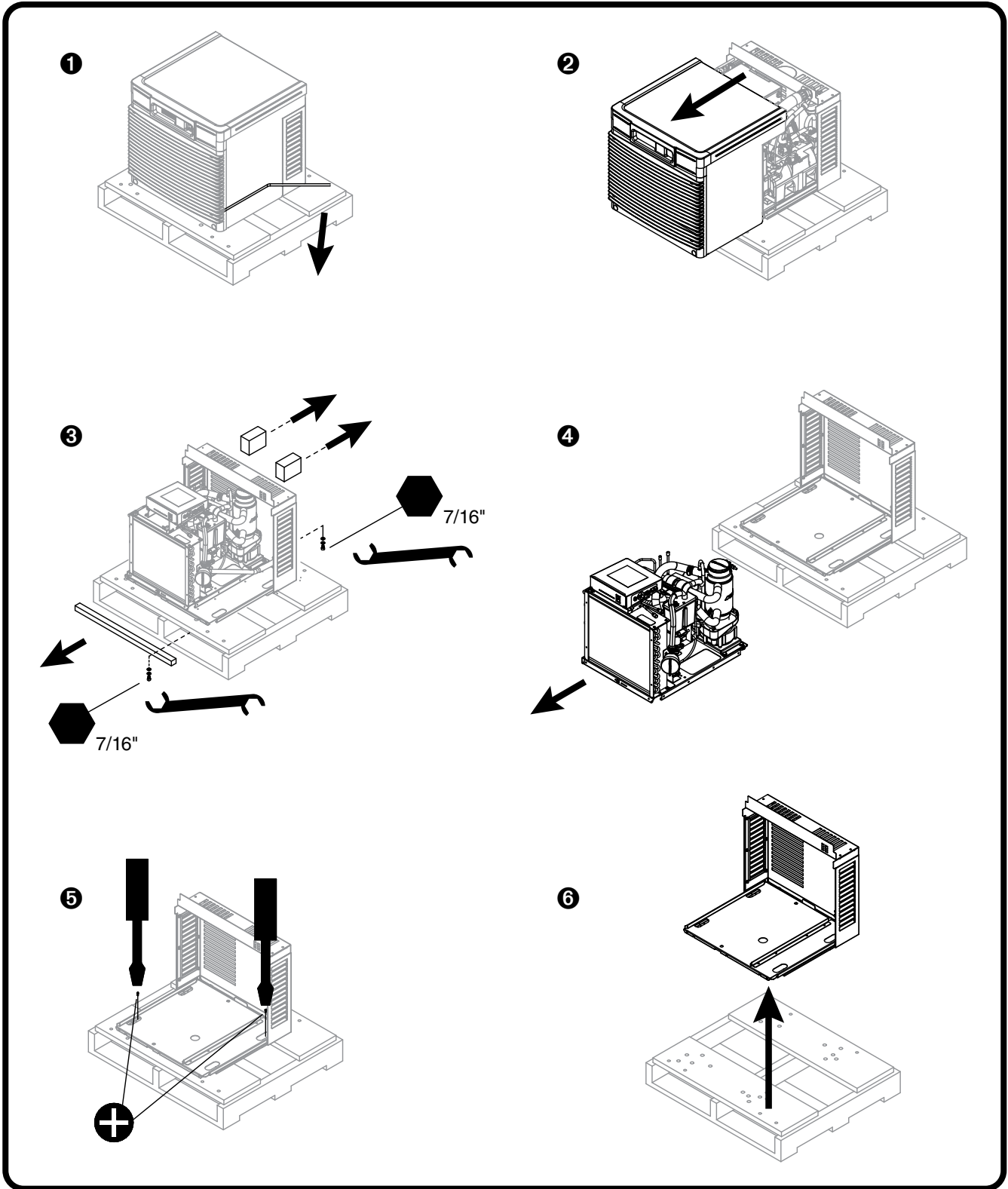
Contents

Unpack	4
Unpack Ice Machine	4
Site Preparation	5
Installation site requirements	5
Louvered Docking Assembly Installation	6
External Connections	7
Air-cooled ice machines only	7
Water-cooled ice machines only	7
Icemaker Installation	8
Slide in icemaker	8
Route transport tube and thermostat	8
Internal Connections	8
Front Cover	10
Install cover	10
Start Up	10

1. Unpack

Carefully unpack and inspect the contents of your Follett ice machine.

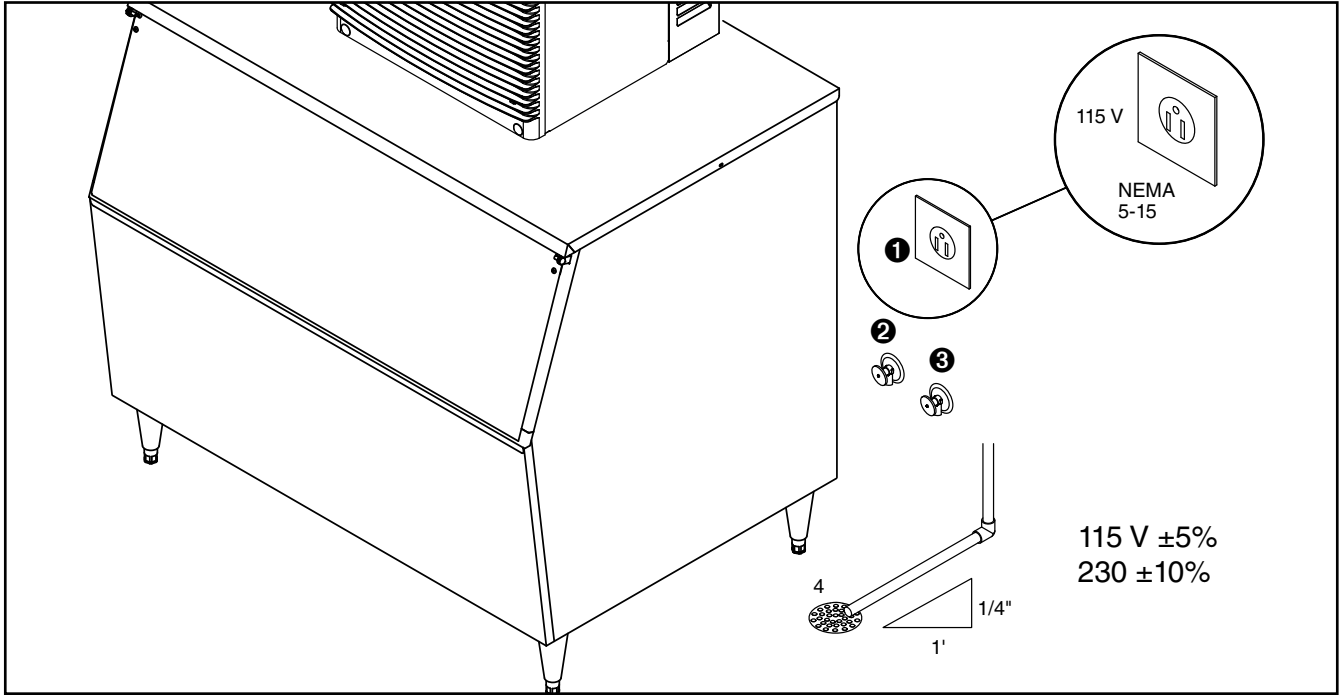
1.1 Unpack Ice Machine



2. Site Preparation

Provide drainage, potable water supply and electrical power to within 6 feet (2m) of ice machine in accordance with local and national codes. Outdoor installation is not recommended and will void warranty.

2.1 Installation site requirements



Electrical ❶

WARNING!

- This appliance should be connected by a qualified person in accordance with application codes.
- If the supply cord is damaged, it must be replaced by the manufacturer, its service agent or similarly qualified persons in order to avoid a hazard.

D414AT/ATF 115/60/1 (115 V ±10%) 15A breaker
(Requires a 15A dedicated circuit)

E414AT/ATF (230/50/1 - 5.5A (full load)
(Requires a dedicated circuit, 1.50 mm² wire)

Potable Water Supply ❷

10 psi to 70 psi (69 kpa to 483kpa)

45 F to 90 F (7 C to 32 C)

Condenser water supply for water-cooled systems ❸

10 psi min.; 125 psi max. (69 kpa min.; 862 kpa max.)

20 F to 90 F (-7 C to 32 C)

0.5 gallons (1.9 liters) per minute

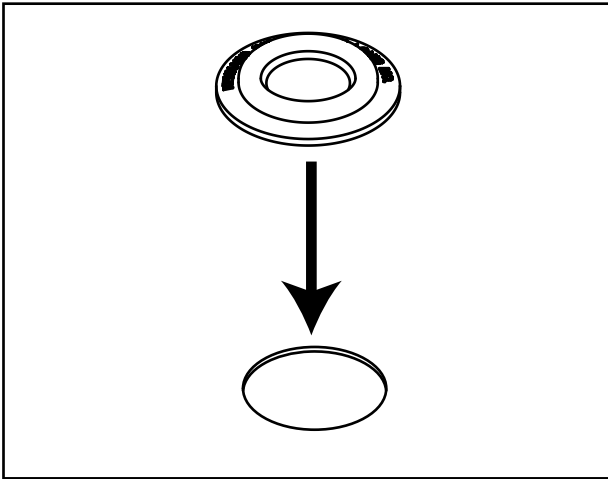
Drain ❹

The drain line from the ice machine must have at least 1/4 in. per foot (6,4 mm/0,3 m) pitch

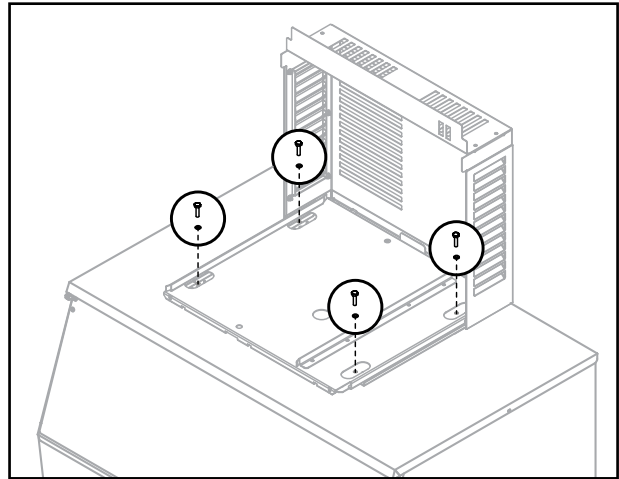
3. Louvered Docking Assembly Installation

 **WARNING!**

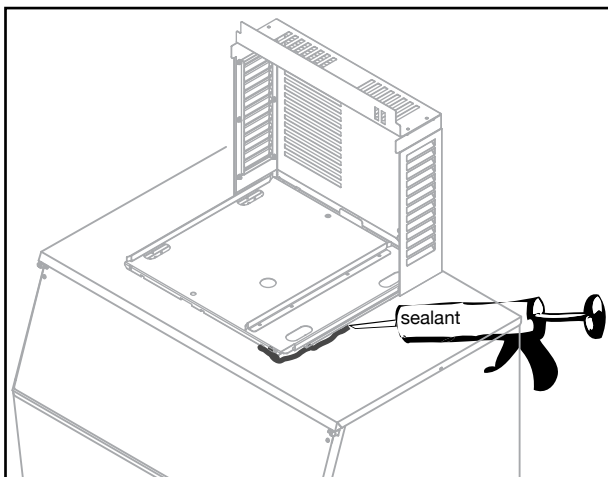
- Docking station must be secured in accordance with these instructions to ensure ice machine stability.
- Ventilation openings in the louvered docking station should be clear of obstruction. Failure to do so could result in damage to equipment.
- Plug must be accessible after final installation.



- Insert grommet into bin top.



- Mount louvered docking assembly using four screws provided.

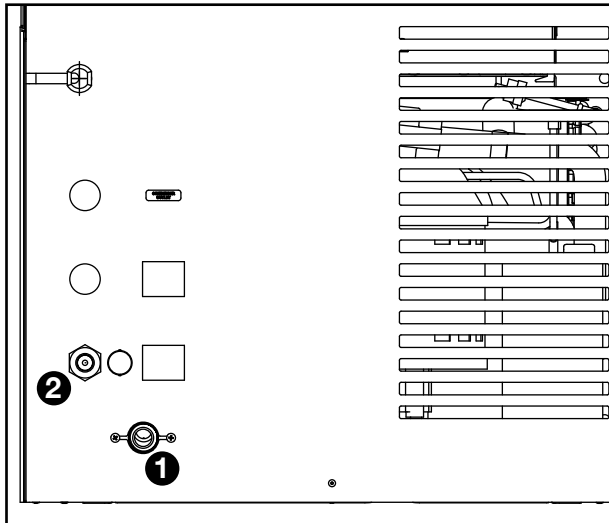


- Seal perimeter of docking station to mounting surface.

4. External Connections

Connect utilities to louvered docking assembly.

4.1 Air-cooled ice machines

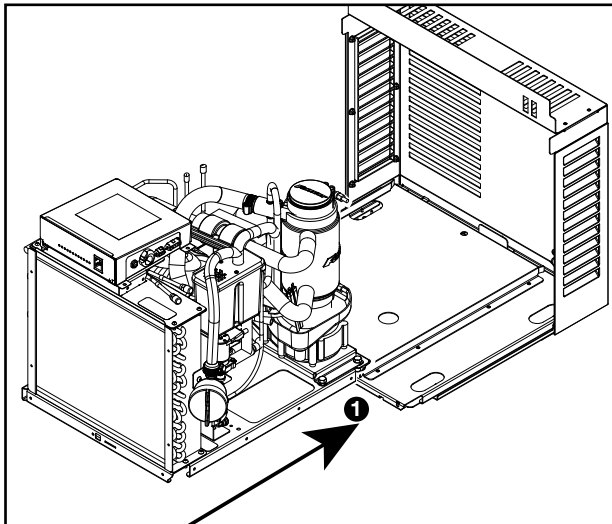


- Install drain line **1** (3/4" MPT).
The rigid drain line from the ice machine must have at least 1/4" per foot (6,4 mm/0,3 m) pitch.
- Install ice machine potable water supply **2** (3/8" FPT).

Note: Follett recommends a Follett water filter system be installed in the ice machine inlet water line (standard capacity, high capacity, carbonless high capacity).

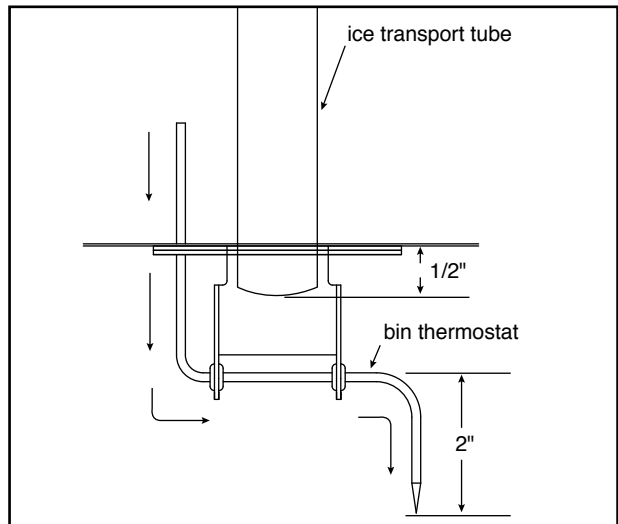
5. Icemaker Installation

5.1 Slide in icemaker



- Slide ice machine into louvered docking assembly **1**.

5.2 Route transport tube and thermostat



- Lubricate transport tube with water then route transport tube and thermostat through grommet and into bin **1**.

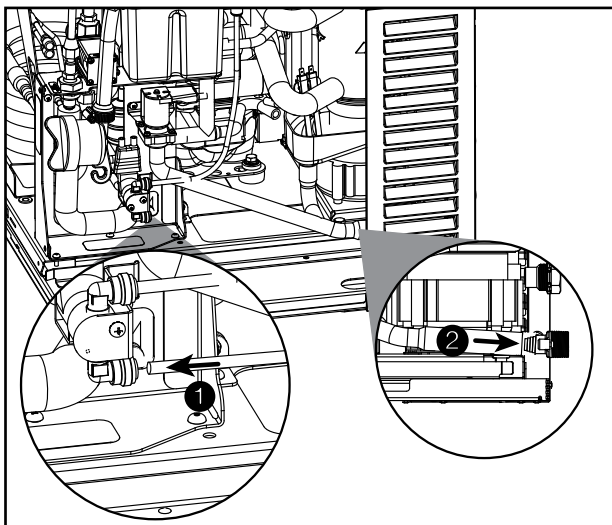
Note: Lubricating transport tube will allow entry into the grommet without the grommet being forced out of the hole/into bin.

- Tighten clamp to secure transport tube **2**.
- Route thermostat and secure in bracket **3**.

5.3 Internal Connections

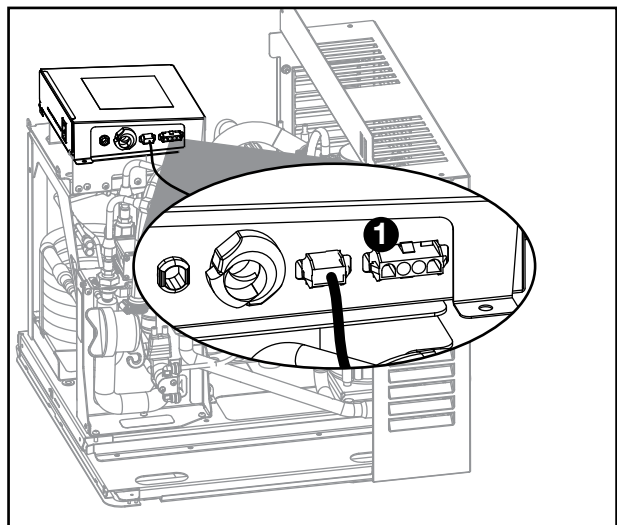
Air-cooled ice machines

5.3.1 Potable Water and Drain Line



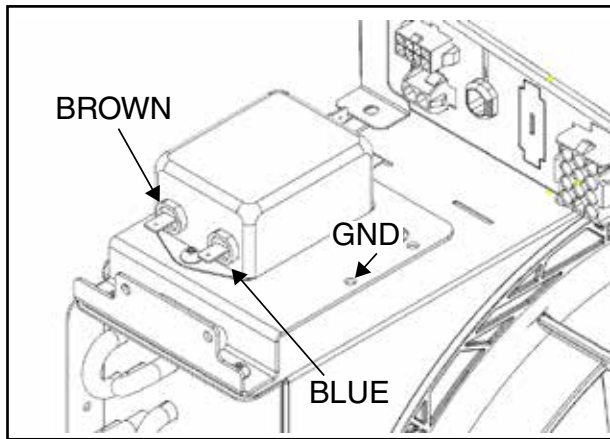
- Insert potable water line into valve **1**.
- Connect drain line to barbed fitting on docking station **2**.

5.3.2 Power Cable - 120 V/220 V



- Connect power cable to electrical box **1**.

5.3.2 Power Cable - 230 V, R290

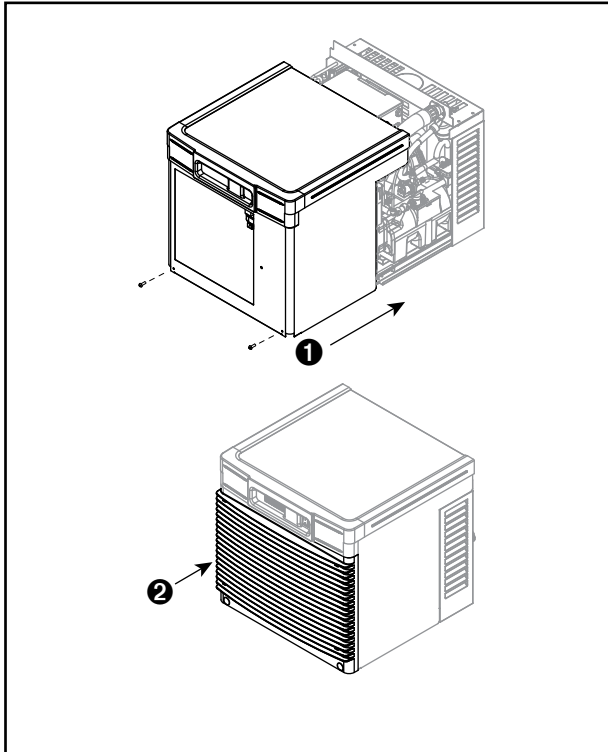


- Make connections as shown.
- Connect power cable to electrical box ❶.

6. Front Cover

Install front cover to ice machine.

6.1 Install cover



- Slide ice machine cover over machine, ensuring that tabs on back of cover slip under louvers on back of louvered docking assembly ①, then tighten two screws through cover.
- Place louvered front cover on machine ②.

6.2 Start Up

Before turning on power

1. Turn on water to ice machine.
2. Check that hose clamp securely holds ice transport tube on nozzle.

After turning on power

1. Turn on power to ice machine and confirm that gearmotor, fan motor and compressor start immediately.
2. Check that ice begins to enter bin area within approximately 10 minutes.
3. Put ice against bin level thermostat in bin and check that compressor and gear motor shut down after thermostat opens. Fan motor should run for an additional 10 minutes.
4. Check that ice machine comes back on in approximately 20 minutes (bin signal must be present).
5. Sanitize the ice machine.
6. Sanitize the bin.

NOTICE!

- Ice machine **MUST** be sanitized prior to operation!
- Consult Operation and Service Manual provided with ice machine for sanitizing instructions.

Maestro Plus is a trademark of Follett Products, LLC.

Follett, Chewblet and RIDE are registered trademarks of Follett Products, LLC, registered in the US.

FOLLETT[®] 801 Church Lane • Easton, PA 18040, USA
Toll free (877) 612-5086 • +1 (610) 252-7301
www.follettice.com

01570068R00
© Follett Products, LLC 11/24