

Chewblet® ice machine

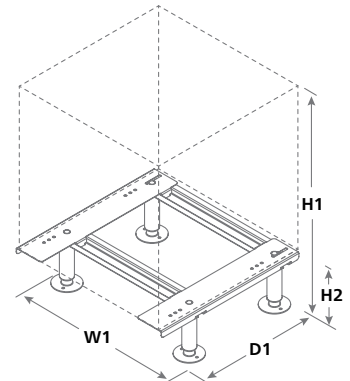
accessories



Shown with Horizon Elite™ ice machine

Ice machine stand

Stand for Horizon Elite™ and Maestro Plus™ ice machines with RIDE® technology elevates ice machine 6.80" (17.3 cm) to 8.30" (21.1 cm) above the floor.



Model	Configuration	Item number
414AS	self-contained, air-cooled (AS)	AFR400STND
710A	self-contained, air-cooled (A)	00997080
1010R, 1410R, 1412R, 1810R, 2110R	remote condenser (R)	
1010A, 1410A/W, 1412W	self-contained, air- or water-cooled (A/W)	01085463

Model	W1	D1	H1	H2
414AS	18.70" (47.5 cm)	22.70" (57.7 cm) ¹	23.80" (60.5 cm)	6.80" (17.3 cm)
710A	22.70" (57.7 cm)	24.50" (62.2 cm)	28.00" (71.1 cm)	6.80" (17.3 cm)
1010A, 1410A/W, 1412W	29.15" (74.0 cm)	23.25" (59.1 cm)	29.30" (74.4 cm)	6.80" (17.3 cm)
1010R, 1410R, 1412R	22.70" (57.7 cm)	22.50" (57.2 cm)	28.00" (71.1 cm)	6.80" (17.3 cm)
1810R, 2110R	22.70" (57.7 cm)	23.70" (60.2 cm)	29.30" (74.4 cm)	6.80" (17.3 cm)

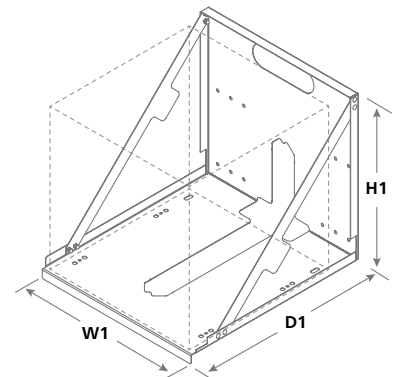
¹ Depth includes 1.90" (4.83 cm) shroud and gasket to mate condenser to interior of cabinet for adequate air intake.



Shown with Horizon Elite ice machine

Wall mount bracket

Wall mount bracket for Horizon Elite and Maestro Plus ice machines with RIDE technology conserves floor space. Allows ice machine to be located away from customer areas.



Model	Configuration	Item number
414AS	self-contained, air-cooled (AS)	AFWALLMTBRKT
710A	self-contained, air-cooled (A)	00997098
1010R, 1410R, 1412R, 1810R, 2110R	remote condenser (R)	
1010A, 1410A/W, 1412W	self-contained, air- or water-cooled (A/W)	01085455

Model	W1	D1	H1 ¹
414AS ²	26.20" (66.5 cm)	20.20" (51.3 cm)	19.40" (49.3 cm)
1010A, 1410A/W, 1412W	30.50" (77.5 cm)	25.50" (64.8 cm)	23.50" (59.7 cm)
710A, 1010R, 1410R, 1412R, 1810R, 2110R	23.00" (58.4 cm)	25.50" (64.8 cm)	22.50" (57.2 cm)

¹ Height of bracket and ice machine.

² 414AS (Maestro Plus) oriented with utilities to left side on wall mount bracket.

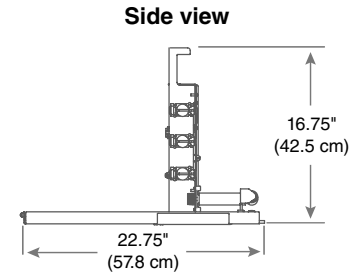
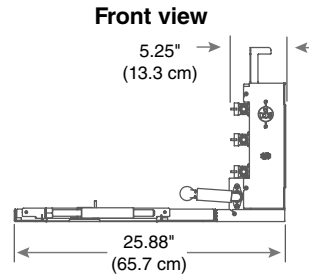
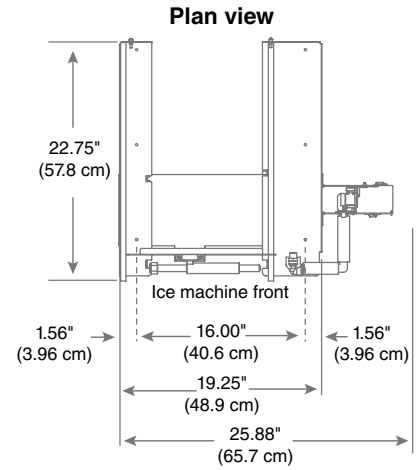


Model	Item number
D414AS	01068477 ¹
E414AS	01336494

¹ Compatible with AFR400STND accessory.

Slide-out stand

Slide-out accessory for Maestro Plus ice machines with RIDE technology allows easy access for service and cleaning without disconnecting utilities. Includes front leg to support ice machine.



Line set

Line set for connecting Horizon Elite evaporator units to their remote condensing unit. Lines are cleaned and capped (no quick connect) without a pre-charge of refrigerant. Connections must be brazed.

Model	Line size	Length	Item number
1010R, 1410R	3/8" liquid, 5/8" suction (insulated)	35 ft (11 m)	00193227
1412R, 1810R, 2110R	3/8" liquid, 7/8" suction (insulated)	35 ft (11 m)	00977785
1010R, 1410R	3/8" liquid, 5/8" suction (insulated)	50 ft (15 m)	01262328



Timer

Timer to control one or two Horizon Elite ice machines.

Model	Item number
710, 1010, 1410, 1412, 1810, 2110	00967265

Chewblet ice machine accessories

HORIZON ELITE and MAESTRO PLUS are trademarks of Follett Products, LLC. CHEWBLET, FOLLETT and RIDE are registered trademarks of Follett Products, LLC, registered in the US. Follett reserves the right to change specifications at any time without obligation. Certifications may vary depending on country of origin.