



Symphony Plus™ ice and water dispenser

manual fill 110 CM series countertop

Features

110 lb (49.9 kg) ice storage capacity

Manual load dispenser reliably dispenses Follett® Chewblet® ice and most small cube ice up to 1.00" (2.54 cm) square

Durable, attractive dispenser

- stainless steel cabinet with accent trim
- smooth contours for aesthetically appealing appearance
- corrosion-resistant plastic drain pan and dispenser lid

Designed with sanitation in mind

- Agion® silver-based antimicrobial product protection of key ice and water contact components¹
- one-hand lever or SensorSAFE infrared ice dispense reduces the chance of cross-contamination

Easy installation

- comes fully assembled and installs with three easy connections – electric, water and drain

Warranty

- 3 years parts and labor, 5 years compressor parts

SensorSAFE™ infrared dispense (optional)



SensorSAFE not recommended for use with clear containers or for applications in direct sunlight

Model configurations		
Ice storage capacity	Dispense	Item number
110 lb (49.9 kg)	lever	110CM-NI-L
	SensorSAFE	110CM-NI-S

Ice-only available, add -I
Example: 110CM-NI-LI

Accessories

Base stand with or without factory installed water filter (refer to form# 7010)

Pressurized water sanitizing kits (refer to form# 1068)

SafeCLEAN Plus™ ice machine cleaner

1 x 8 oz (237 ml) bottle (item# 01147826)

6 x 8 oz (237 ml) bottles (item# 01149954)

Carton of 24 x 8 oz (237 ml) bottles (item# 01149962)

Nu-Calgon® IMS-III sanitizer, 16 oz (0.5 L) bottle (item# 00979674)

Water filters (refer to form# 1058 and 8320)

Additional Symphony Plus accessories (refer to price list)

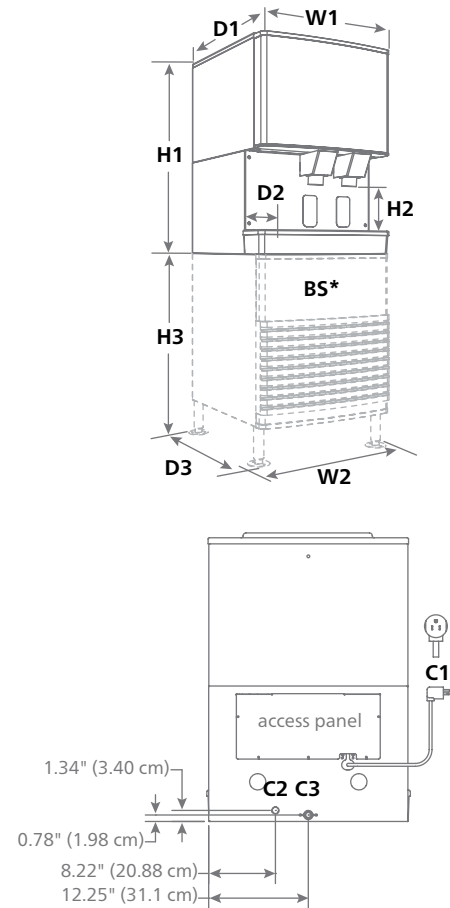
Specification

Ice storage capacity	110 lb (49.9 kg)
W1 Width, dispenser	25.00" (63.5 cm)
W2 Width, base stand accessory	26.25" (66.7 cm)
D1 Depth, entire dispenser	28.25" (71.8 cm)
D2 Depth, drain pan	7.00" (17.78 cm)
D3 Depth, base stand accessory	29.00" (73.7 cm)
H1 Height, dispenser	34.75" (88.3 cm)
H2 Dispense height clearance	7.75" (19.68 cm)
H3 Height, base stand accessory	33.00" (83.8 cm)
Service clearance	18.00" (45.7 cm) top for manual filling and cleaning
C1 115 V/60/1 electrical	4 amps, 0.8 kW 7' (2.1 m) cord, NEMA 5-15 90° hospital-grade plug
C2 Potable water inlet	3/8" FPT internal connection – 1.5" (3.81 cm) knockout provided
C3 Drain	3/4" MPT
Utility connection location	back or bottom
Approximate net weight	103 lb (47 kg)
Approximate ship weight	138 lb (63 kg)
Approximate ship weight, base stand accessory	96 lb (44 kg)

NOTE: For indoor use only

SHORT FORM SPECIFICATION: (Choose one) ___ Ice and water or ___ ice-only dispenser to be Follett® model 110CM manual load unit with integral drain pan. Dispenser to hold up to 110 lb (49.9 kg) of ice depending on ice type used. Storage area insulated with CARB compliant non-HFC foam. 7' (2.1 m) cord and NEMA 5-15 90° hospital-grade plug provided. NSF and ETL listed.

Dimensional drawing



BS* – Base stand sold separately; measurements shown are with base stand legs at lowest position. See dispenser detail sheet, form# 6675, for counter cut outs.

¹ Disclaimer: Antimicrobial protection is limited to the treated components and does not treat water or ice.

Agion is a registered trademark of Sciesent LLC.

Calgon is a licensed tradename distributed by Nu-Calgon, in the United States.

SYMPHONY PLUS, SENSORSAFE and SAFECLEAN PLUS are trademarks of Follett Products, LLC.

CHEWBLET and FOLLETT are registered trademarks of Follett Products, LLC, registered in the US.

Follett reserves the right to change specifications at any time without obligation. Certifications may vary depending on country of origin.

110 CM series countertop