

Symphony Plus™ ice and water dispenser

25 and 50 CI series countertop with Chewblet® ice machine



SensorSAFE™ infrared dispense (optional)



SensorSAFE not recommended for use with clear containers or for applications in direct sunlight

Model configurations			
Ice storage capacity	Dispense	Ice machine cooling	Item number
25 lb (11.4 kg)	Lever	air	25CI425A-L
		water	25CI425W-L
	SensorSAFE	air	25CI425A-S
		water	25CI425W-S
50 lb (22.7 kg)	Lever	air	50CI425A-L
		water	50CI425W-L
	SensorSAFE	air	50CI425A-S
		water	50CI425W-S

Ice-only available, add -I
Example: 25CI425A-LI

Ice production		
Temperatures air/water	70/50 F (21/10 C)	90/70 F (32/21 C)
Air-cooled	425 lb (193.0 kg)	325 lb (147.6 kg)
Water-cooled	486 lb (220.6 kg)	408 lb (185.2 kg)
Energy consumption per 100 lb (45.4 kg) ice	N/A	6.0 kWh air-cooled 4.3 kWh water-cooled
Condenser water consumption	N/A	0.5 gpm (1.9 Lpm) at 70 F (21 C) water
Water consumption	12.0 gal (45.4 L) of potable water per 100 lb (45.4 kg) of ice	

Features

25 or 50 lb (11.4 or 22.7 kg) ice storage capacity

Counter-height removable air- or water-cooled ice machine with up to 425 lb (193.0 kg) daily production of Chewblet ice

- modular ice machine slides out from behind lower front panel
- soft, chewable, compressed nugget ice is preferred over cubes¹ and is ideal for patient care
- Quiet Night™ sleep mode turns off ice machine when idle

Designed with sanitation in mind

- automatic self-flushing of ice machine removes impurities
- drain cup provides internal air gap for added protection of food zone components from drain line contaminants
- Agion® silver-based antimicrobial provides protection of key ice and water contact components²
- one-hand lever or SensorSAFE infrared ice dispense

Dependable design, easy to service and clean

- cleaning and sanitizing of entire machine takes only 1 hour
- LED control board provides at-a-glance machine status
- panels are easily removed for accessibility to all components
- ice machine parts are common across all Symphony Plus dispensers
- stainless steel evaporator and auger deliver long life

Environmentally responsible

- meets Consortium for Energy Efficiency Tier 2 specifications
- R404a refrigerant has zero ozone depletion potential
- continuous ice making process uses less electricity and water

Durable, attractive dispenser

- stainless steel cabinet with accent trim
- poly drain pan, grille and dispenser lid are corrosion-resistant
- secured top lid

Easy installation

- comes fully assembled and installs with three easy connections – electric, water and drain

Warranty

- 3 years parts and labor, 5 years compressor parts

Accessories

Base stand with or without factory installed water filter (refer to form# 7010)

4.00" (10.16 cm) leg kit (item# 00188417)

Pressurized water sanitizing kits (refer to form# 1068)

SafeCLEAN Plus™ ice machine cleaner

1 x 8 oz (237 ml) bottle (item# 01147826)

6 x 8 oz (237 ml) bottles (item# 01149954)

Carton of 24 x 8 oz (237 ml) bottles (item# 01149962)

Nu-Calgon® IMS-III sanitizer, 16 oz (0.5 L) bottle (item# 00979674)

Water filters (refer to form# 1058 and 8320)

Additional Symphony Plus accessories (refer to price list)

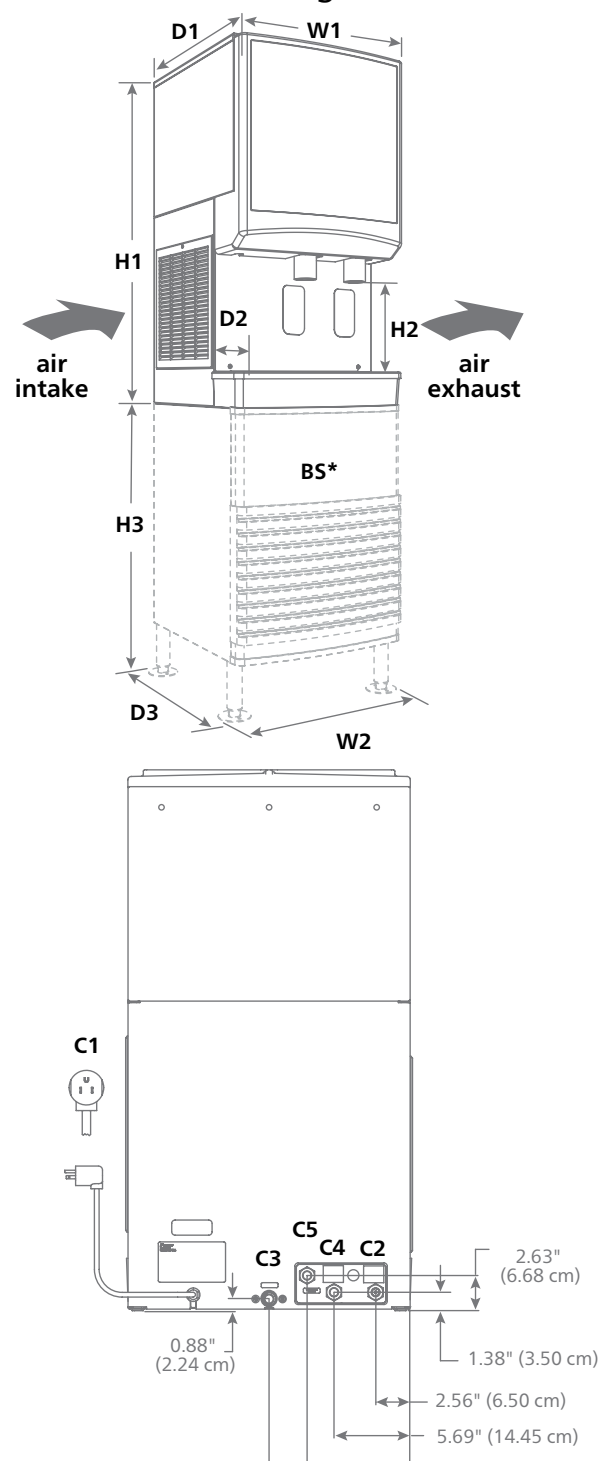
Specification

Ice storage capacity	25 Series – 25 lb (11.4 kg) 50 Series – 50 lb (22.7 kg)
W1 Width, dispenser	21.00" (53.3 cm)
W2 Width, base stand accessory	22.75" (57.8 cm)
D1 Depth, entire dispenser	24.00" (61.0 cm)
D2 Depth, drain pan	7.00" (17.78 cm)
D3 Depth, base stand accessory	24.38" (61.9 cm)
H1 Height, dispenser	25 Series – 36.00" (91.4 cm) 50 Series – 40.00" (101.6 cm)
H2 Dispense height clearance	11.50" (29.2 cm)
H3 Height, base stand	33.00" (83.8 cm)
Ventilation clearance	air-cooled models only – 3.00" (7.62 cm) all sides
Service clearance	air-cooled models – 12.00" (30.5 cm) top, 6.00" (15.24 cm) left side water-cooled units – 12.00" (30.5 cm) top
Utility connection location	through back or bottom
C1 115 V/60/1 electrical	11 amps, 0.8 kW 7' (2.1 m) cord, NEMA 5-15 90° hospital-grade plug
C2 Potable water inlet	3/8" FPT
C3 Drain	3/4" MPT
Water-cooled model connections	
C4 condenser inlet	3/8" FPT
C5 condenser drain	3/8" FPT
Heat rejection	air-cooled models – 5000 BTU/hr water-cooled models – 1400 BTU/hr to air, 3600 BTU/hr to water
Water flow requirement for water-cooled models	0.25 gpm (0.95 lpm) at 50 F (10 C) 0.5 gpm (1.90 lpm) at 70 F (21 C) 1.25 gpm (4.73 lpm) at 90 F (32 C)
Air temperature	50 - 100 F (10 - 38 C)
Water temperature	45 - 90 F (7 - 32 C)
Potable water pressure	10 - 70 psi (69 - 483 kpa)
Condenser water pressure	10 - 125 psi (69 - 861 kpa)
Approximate net weight	188 lb (85 kg)
Approximate ship weight	245 lb (111 kg)
Approximate ship weight, base stand accessory	95 lb (43 kg)

NOTE: For indoor use only

SHORT FORM SPECIFICATION: (Choose one) ___ Ice and water or ___ ice-only dispenser to be Follett® automatic load in countertop configuration, with ___ 25 lb (11.4 kg) or ___ 50 lb (22.7 kg) of storage. Environmentally responsible R404a ice machine (choose one) ___ air- or ___ water-cooled and to be removable for cleaning and maintenance. Ice machine to produce approximately 425 lb (193.0 kg) of Chewblet compressed nugget ice at air temperature of 70 F (21 C), water temperature of 50 F (10 C). Ice machine equipped with automatic self-flushing and Quiet Night sleep mode. Dispenser to have automatic bin level control to start and stop ice machine. Storage area to be insulated with CARB compliant non-HFC foam. 7' (2.1 m) cord and NEMA 5-15 90° hospital-grade plug provided. NSF and ETL listed.

Dimensional drawing



BS* – Base stand sold separately; measurements shown are with base stand legs at lowest position. See dispenser detail sheet, form# 6675, for counter cut outs.

¹ Independent third party studies. Contact Follett for details.

² Disclaimer: Antimicrobial protection is limited to the treated components and does not treat water or ice.

Agion is a registered trademark of Sciescent LLC.

SYMPHONY PLUS, SENSORSAFE, SAFECLEAN PLUS and QUIET NIGHT are trademarks of Follett Products, LLC.

CHEWBLET and FOLLETT are registered trademarks of Follett Products, LLC, registered in the US. Follett reserves the right to change specifications at any time without obligation. Certifications may vary depending on country of origin.

25/50 CI series countertop