

**Following installation, please forward this manual
to the appropriate operations person.**

Contents

| | |
|--|-----------|
| Welcome | 3 |
| Before You Begin | 3 |
| Specifications | 3 |
| Series Specifications | 3 |
| Electrical Specifications | 3 |
| Refrigeration Specifications | 3 |
| Installation Specifications | 3 |
| Installation | 4 |
| Installing Legs – Required | 4 |
| Installation Shelves – Required | 4 |
| Changing Temperature Controller Settings – Optional | 4 |
| Reversing the Door Swing – Optional | 5 |
| Changing Temperature Display - Optional | 6 |
| “Sleep” Function | 6 |
| Controller Operation | 7 |
| Controller Security | 8 |
| Programming Refrigerator from a Program Key (download) | 8 |
| Operation | 9 |
| Temperature Control | 9 |
| Defrosting | 9 |
| Cleaning | 10 |
| Interior | 10 |
| Exterior | 10 |
| Annual Cleaning and Inspection | 10 |
| Service | 11 |
| Latch Adjustment | 11 |
| Door Gasket Replacement | 11 |
| Slide-out Compressor Tray | 11 |
| Controller Replacement | 12 |
| Wiring Diagram | 13 |
| Refrigeration System | 14 |
| Checking Refrigeration System Pressures | 14 |
| Discharge and suction pressure table | 14 |
| Refrigeration System Diagram | 14 |
| Freezer Troubleshooting Guide | 15 |
| Accessory Installation | 16 |
| Temperature Surveillance Module Accessory | 16 |
| Temperature Alarm Accessory | 16 |
| Pedestal Base | 16 |
| Stacking Kit | 16 |
| Replacement Parts | 17 |
| Evaporator | 17 |
| Condensing Unit | 18 |
| Hardware | 19 |
| Hardware and Electrical Components | 20 |

Welcome

Follett equipment enjoys a well-deserved reputation for excellent performance, long-term reliability, and outstanding after-the-sale support. To ensure that this product delivers that same degree of service, we ask that you take a moment to review this manual before beginning the installation. Should you have any questions or require technical help at any point, please call our technical service group at (877) 612-5086 or +1 (610) 252-7301.

Before You Begin

After uncrating and removing all packing material, inspect the equipment for concealed shipping damage. If damage is found, immediately notify the shipper and contact Follett Corporation so that we can help in the filing of a claim, if necessary.

Check your paperwork to verify that you received the correct freezer. Follett configuration numbers are designed to provide information about the type of freezer you are receiving. The following is an explanation of the different model numbers.

| Model Number | Item Number | Stackable/Use with Pedestal* |
|--------------|-------------|------------------------------|
| FZR5 | FZR5-000000 | No |
| | FZR5-00ST00 | Yes |
| FZR4-ADA | FZR4-000000 | No |
| | FZR4-00ST00 | Yes |

Specifications

Series Specifications

- FZR4-ADA: 31.25" (794mm) high, 3.3 cu ft (1.0 cu m) capacity, fits below 34" (864mm) high ADA-compatible counter
- FZR5: 34" (864mm) high, 4.0 cu ft (1.2 cu m) capacity, fits below standard 36" (915mm) high counter

Electrical Specifications

- 115V, 60Hz, 1 phase
- Full load: 8.0 A
- Minimum circuit ampacity: 15 A
- Maximum size of branch circuit overcurrent device: 15 A

Refrigeration Specifications

- Refrigerant – R404A
- Charge size – 10 oz
- Maximum design pressures: High side – 383 psi; Low side – 175 psi

Installation Specifications

- Ambient temperature must not exceed 86 F (30 C). Relative humidity 60%.
The front louvered panel must be kept free of any cabinet trim or obstructions to ensure proper ventilation of the refrigeration system.



CAUTION!

Equipment must be wired according to local NEC codes.

Unplug equipment before servicing.

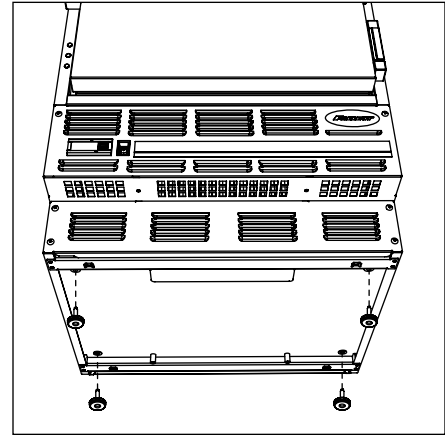
Be sure to find adequate storage for products prior to unplugging equipment.

Installation

Installing Legs – Required

1. Remove legs from plastic bag packed inside freezer.
2. Tip freezer back and screw legs in all the way to stop (**Fig. 1**). Legs will extend 1/8" (3.175mm) below base of freezer.
3. Adjust legs as needed to level freezer in both directions. To access legs, remove the lower front panel. Turn legs clockwise to extend legs.

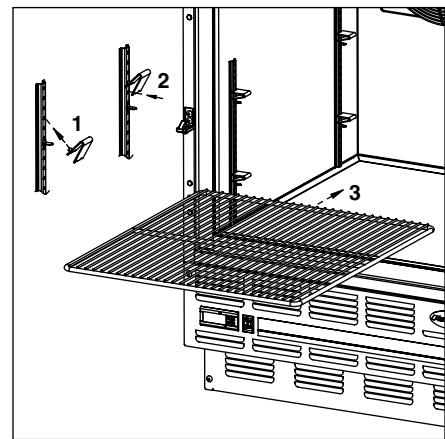
Fig. 1



Installation Shelves – Required

1. Remove shelves and shelf brackets packed inside freezer.
2. Install shelf brackets in pilasters. Insert top tab, squeeze and push in lower tab (**Fig. 2**).

Fig. 2

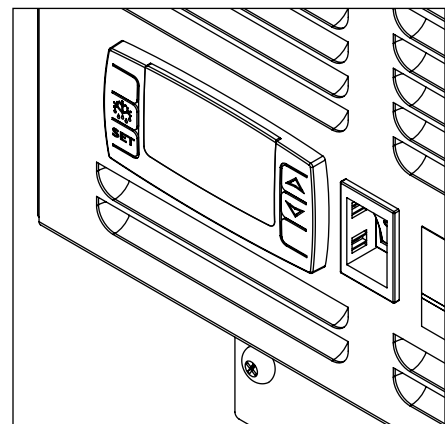


Changing Temperature Controller Settings – Optional

Follett's temperature controller is pre-programmed with a -25 C (-13 F) set point and degrees C display. The -25 C (-13 F) set point delivers a temperature range of -23 to -25 C (-9 to -13 F).

Follett's controller set point can be changed to deliver up to a -15 C (+5 F) temperature for applications where a lower temperature is not desired (i.e., ice cream). See [Controller Operation on page 7](#) to change controller settings.

Fig. 3



Reversing the Door Swing – Optional



CAUTION!

When reinstalling latch and hinge screws, 242 blue Loctite* **MUST** be applied to screws. Torque screws to 25 in-lbs.

1. Remove screws and latch from refrigerator cabinet (**Fig. 4**).
2. Use flat screwdriver to carefully remove (do not scratch) hinge covers (**Fig. 5.1**).
3. Support door and remove screws attaching hinge to refrigerator cabinet (**Fig. 5.2**).
4. Cover hinge screw holes with screw hole plugs removed from opposite side.
5. Reverse door. Apply 242 blue Loctite to hinge screws and reinstall, torque to 25 in-lbs.
6. Reinstall latch on opposite side.
7. Remove screws and handle from door (**Fig. 6.1**).
8. Rotate handle (**Fig. 6.2**).
9. Apply 242 blue Loctite to latch screws and reinstall, torque to 25 in-lbs

Fig. 4

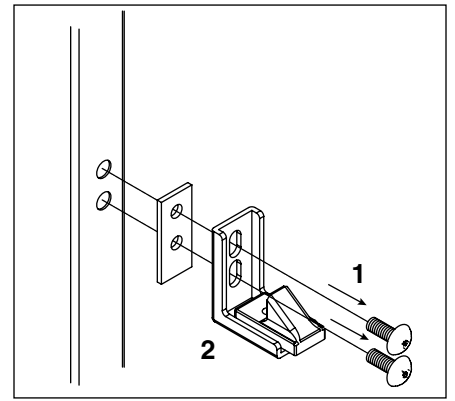


Fig. 5

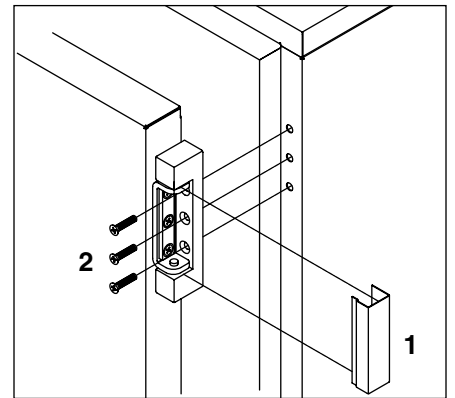
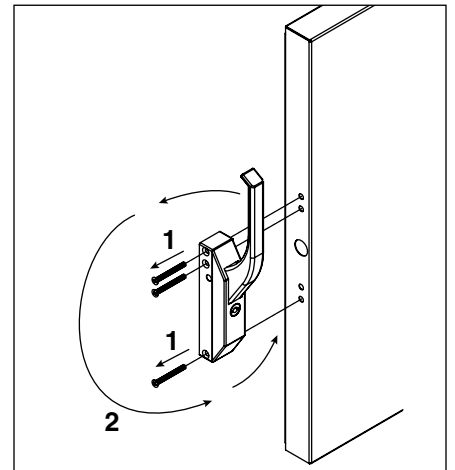


Fig. 6



* Loctite is a registered trademark of Henkel Corporation in the United States and other countries.

Changing Temperature Display - Optional

NOTICE!

*It is important that you review the temperature cut-out settings after you change the temperature display. The controller contains two separate temperature channels; F and C. Changes made to the factory default settings while displaying temperatures in F **will not** automatically transfer when you change the temperature display to C.*

Follett freezers are factory-set to display temperatures in degrees C (Celsius). To display the temperature in degrees F (Fahrenheit), follow these steps:

1. Move the power switch to OFF and unplug the freezer.
2. Remove the front lower panel cover (**Fig. 7**) to access the controller.
3. Locate jumper wires connecting pins #9 and #11 (**Fig. 8**) and disconnect.
4. Reinstall the front lower panel cover.
5. Plug in the freezer and return the power switch to ON.

Fig. 7

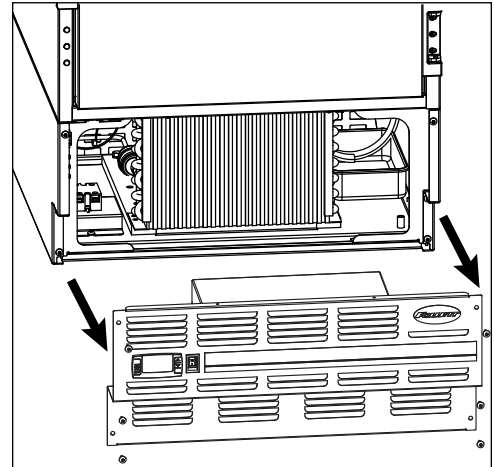
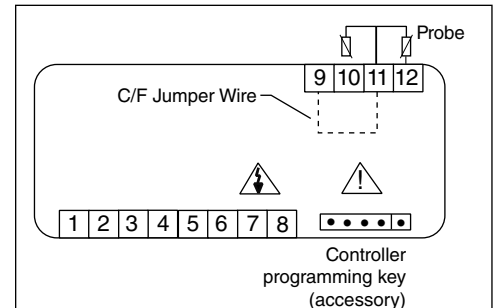


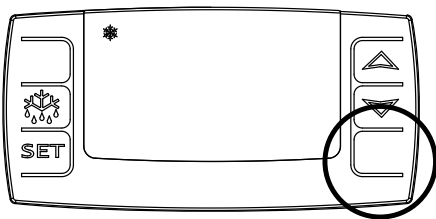
Fig. 8



“Sleep” Function

You may not want the Follett temperature display when using a third-party temperature monitoring system with its own temperature display. You can put the Follett controller “to sleep” to avoid confusion. The compressor icon remains illuminated when the compressor is running.

1. Press BOTTOM RIGHT button to put display to sleep.
2. Press BOTTOM RIGHT button to return to display mode.



Controller Operation

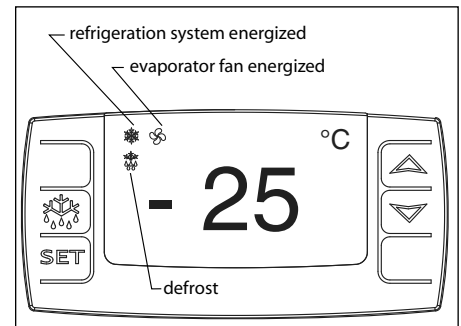
In normal operation, the controller displays cabinet temperatures in degrees C (default) or user-selected degrees F (see [Changing Temperature Display - Optional on page 6](#)). C temperatures are displayed to one decimal point, F temperatures are displayed to the nearest degree. A snowflake LED displays when the compressor is running.

Up/down/set membrane switches at right and left of the temperature display control all programming functions.

The controller is pre-programmed with a -25 C (-13 F) set point, which provides a compressor cut-in at -23 C (-9 F) and cut-out at -25 C (-13 F). The controller set point can be raised to -15 C (+5 F) for nourishment applications where a lower temperature is not desired (i.e., ice cream). Follow instructions for changing temperature cut-out below.

All set points have a 2 C (4 F) differential. The 2 C (4 F) differential means that with a -25 C (-13 F) set point, for example, the compressor will turn off at -25 C (-13 F) and turn on when it reaches -23 C (-9 F).

Fig. 9



To display temperature cut-out

| STEP | INPUT | DISPLAY |
|------|-----------------------|--|
| 1 | Press and release SET | Current cut-out temperature will display for approximately 5 seconds. Display will return to current refrigerator temperature. |

To change temperature cut-out

| STEP | INPUT | DISPLAY |
|------|--|--|
| 1 | Press and hold SET for 3 seconds | Current cut-out temperature displayed and °C (°F) will flash |
| 2 | Press UP or DOWN arrows to desired cut-out temperature | New cut-out temperature displayed |
| 3 | Press and release SET | New cut-out temperature blinks three times, then current refrigerator temperature will display |

Controller Security

The controller panel can be locked to prevent unauthorized programming changes. In locked mode, the controller displays cabinet temperature and set point only.

To lock the controller

1. Simultaneously press and hold UP and DOWN ARROW buttons for 3 seconds, until "PoF" displays (flashes 3 times).
2. Programmer is now locked.

To unlock the controller

1. Simultaneously press and hold UP and DOWN ARROW buttons for 3 seconds, until "Pon" displays (flashes 3 times).
2. Programmer is now unlocked.

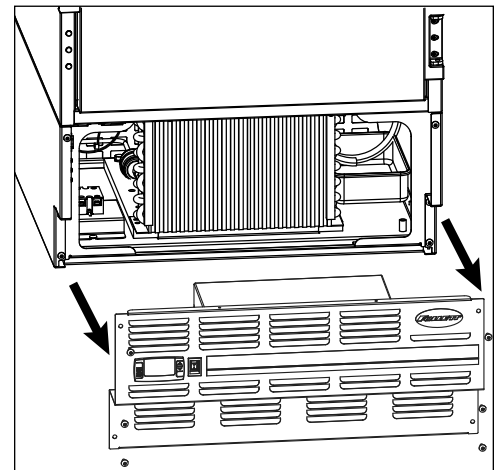
Programming Refrigerator from a Program Key (download)

A controller programming key is available from Follett to provide fast and easy reprogramming of factory settings.

| Program Serial# Range | Frequency of Defrost | Maximum Duration of Defrost | Temp Display ° | FZR4-ADA & FZR5 – Item# |
|-----------------------|----------------------|-----------------------------|----------------|-------------------------|
| Above D18495 | 6 hrs | 15 min | C and F | 00976654 |

1. Move the power switch to OFF.
2. Remove the front lower panel cover to access the controller (**Fig. 10**).
3. Insert appropriate programmed key into 5-pin receptacle located on back of controller.
4. Move the power switch to ON.
5. Values from key automatically download to refrigerator ("do!" message blinks followed by "end").
6. After 10 seconds, the display returns to current refrigerator temperature and controller restarts with new values.
7. Move the power switch to OFF.
8. Remove programming key.
9. Reinstall panel.
10. Move the power switch to ON.

Fig. 10



Note: An "Err" message displays for failed programming. Turn refrigerator OFF then ON to restart download, or remove key to abort.

Operation

The temperature controller and probe indicate when the refrigeration system is required to turn on and off.

The refrigeration system removes heat from the cabinet interior and rejects it to the surrounding room air. When the cabinet interior temperature reaches +2 C (+4 F) above the controller set point, the probe signals the controller to turn the refrigeration system on. The normally-open controller contacts 2 and 3 close and energize the evaporator fan motor, door heater, and control relay that energizes the condensing unit (condenser fan motor and compressor). The snowflake and fan LEDs on the controller will light to indicate that the refrigeration system is on. The compressor uses a current-style starting relay and a starting capacitor to start the compressor motor.

When the cabinet interior temperature falls to the set point, the probe signals the controller to turn the refrigeration system off. The controller contact 3 reopens, which de-energizes the control relay and turns off the condenser fan motor and the compressor. The snowflake LED will go out and the fan LED will remain on.

Any accumulated frost on the evaporator coils melts during the defrost cycle. The condensate drains to a drain pan mounted along the condensing unit. The heat from the condensing unit evaporates any condensate in the drain pan.

Temperature Control

The temperature control system is preset by the factory to maintain a cabinet temperature of -23 C (-10 F). If desired, the cut-out temperature can be raised as high as -15 C (5 F) by following the instructions on [page 7](#) for changing the temperature set point. The 2 C (4 F) cut-out differential will be maintained regardless of the controller set point.

Defrosting

The FZR series undercounter freezers control frost accumulation on the evaporator through automatic timed defrost cycles. The defrost cycle is initiated by the temperature controller every 6 hours. Contacts 2 and 3 on the controller open and the refrigeration system is turned off. Contact 7 is closed and the defrost heater is energized. The melting snowflake LED on the controller will light, and the temperature display will read “dEF” to indicate the freezer is in the defrost cycle.

The heaters warm the evaporator coil and drain pan to melt the frost and drain the water to the condensate pan. The temperature controller monitors evaporator temperature using a probe embedded in the coil. The controller terminates the defrost cycle when the evaporator temperature reaches +5 C (+41 F) or after 15 minutes of defrost time, whichever occurs first. As the defrost cycle terminates, the controller de-energizes the heater and energizes the control relay, turning on the compressor and condenser fan. The snowflake LED on the controller will light to indicate that the refrigeration system is running.

There is a 5 minute delay before the evaporator fan motor is re-energized. The fan LED on the controller will come on to indicate the fan is running and the temperature display resumes displaying cabinet temperature. A defrost cycle can be initiated manually at any time by depressing and holding the melting snowflake button for approximately three seconds. As a safety feature, a temperature safety switch mounted on the evaporator will turn off the defrost heater if the temperature of the evaporator reaches +27 C (+80 F) regardless of controller operation.

The FZR series freezers have been designed specifically for the storage of temperature-critical medications. Other storage applications may require modifications of the factory-programmed defrost cycle settings. Please consult Follett technical service if defrost modification is needed.

Note: Storage of products of very low volumes or mass may require additional product insulation.

Note: Serial numbers below C57095 were programmed with defrost cycles every 2-4 hours terminating at +5 C (+41 F) or after 15 minutes, whichever came first. If you are experiencing problems with frost on any of these earlier units, please call Follett's technical service department at (877) 612-5086 or +1 (610) 252-7301 for a programming key to update your unit to the most current program settings.

Cleaning

CAUTION!

Use only non-chlorine based cleaners. Cleaners containing chlorine can cause staining and pitting of the stainless steel.

Interior

Using a sponge or soft cloth, clean unit with a non-abrasive, non-chlorinated, all-purpose detergent.

Exterior

Wipe exterior with a soft cloth in the direction of grain as needed. Stainless steel polish may be used to enhance the finish of the unit.

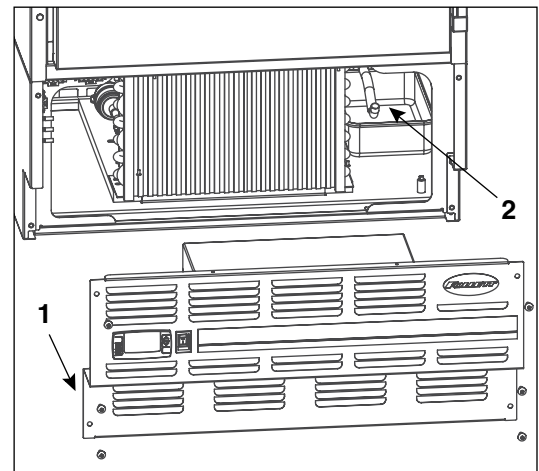
Annual Cleaning and Inspection

1. Shut down unit by moving rocker switch on the lower front panel to the OFF position and removing power cord from receptacle.
2. Remove 6 screws from front panel.
3. Remove lower front panel (**Fig. 11.1**).

Note: Front louvered panel may be completely removed for easier cleaning by disconnecting the controller wiring plugs from the freezer.

4. Remove drain pan (**Fig. 11.2**).
5. Clean drain pan with a non-abrasive, non-chlorinated all-purpose detergent.
6. Reinstall drain pan.
7. Use a vacuum cleaner with brush attachment to clean condenser through lower front panel and compressor motor and related parts through lower rear panel.
8. Reinstall lower front panel.
9. Remove interior shelves.
10. Remove evaporator cover (six screws).
11. Using hair drier, melt all ice from evaporator coil and drain pan.
12. Using a piece of wire, confirm that drain tube is free of ice and clear of any blockage.
13. Check evaporator fan for smooth operation.
14. Reinstall evaporator cover.
15. Reinstall shelves.

Fig. 11



Service

Latch Adjustment

To adjust for proper latch engagement

1. Loosen striker plate mounting screws (**Fig. 12.1**).
2. Move striker plate up or down as required and tighten screws.
3. Test operation of latch.

To adjust for proper gasket seal

1. Loosen striker depth adjustment screw (**Fig. 12.2**).
2. Adjust stop in or out and tighten screws.
3. Test operation of latch.

Door Gasket Replacement

1. Remove existing gasket from mounting track.
2. Verify mounting track is free of any remaining gasket material.
3. Align new gasket with mounting track and press firmly in place.
4. Open and close door, checking for proper gasket seal without pinching against freezer.
5. Adjust latch and or striker as necessary for proper door closure.

Slide-out Compressor Tray

Follett's slide-out compressor tray allows technicians to partially slide the condensing unit from the freezer back without cutting refrigerant lines.

1. Remove rear panel (**Fig. 13.1**).
2. Remove two bolts securing condensing unit to freezer base (**Fig. 13.2**).
3. Gently slide condensing unit out (**Fig. 13.3**).

Note: Do not put strain on the refrigerant lines.

Fig. 12

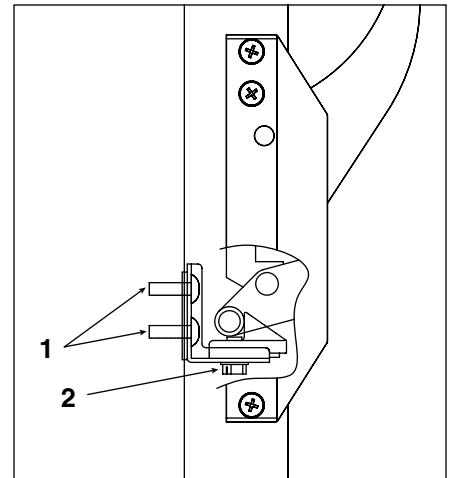
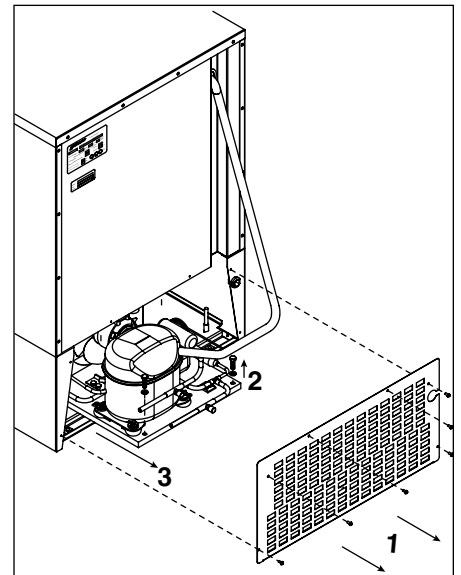


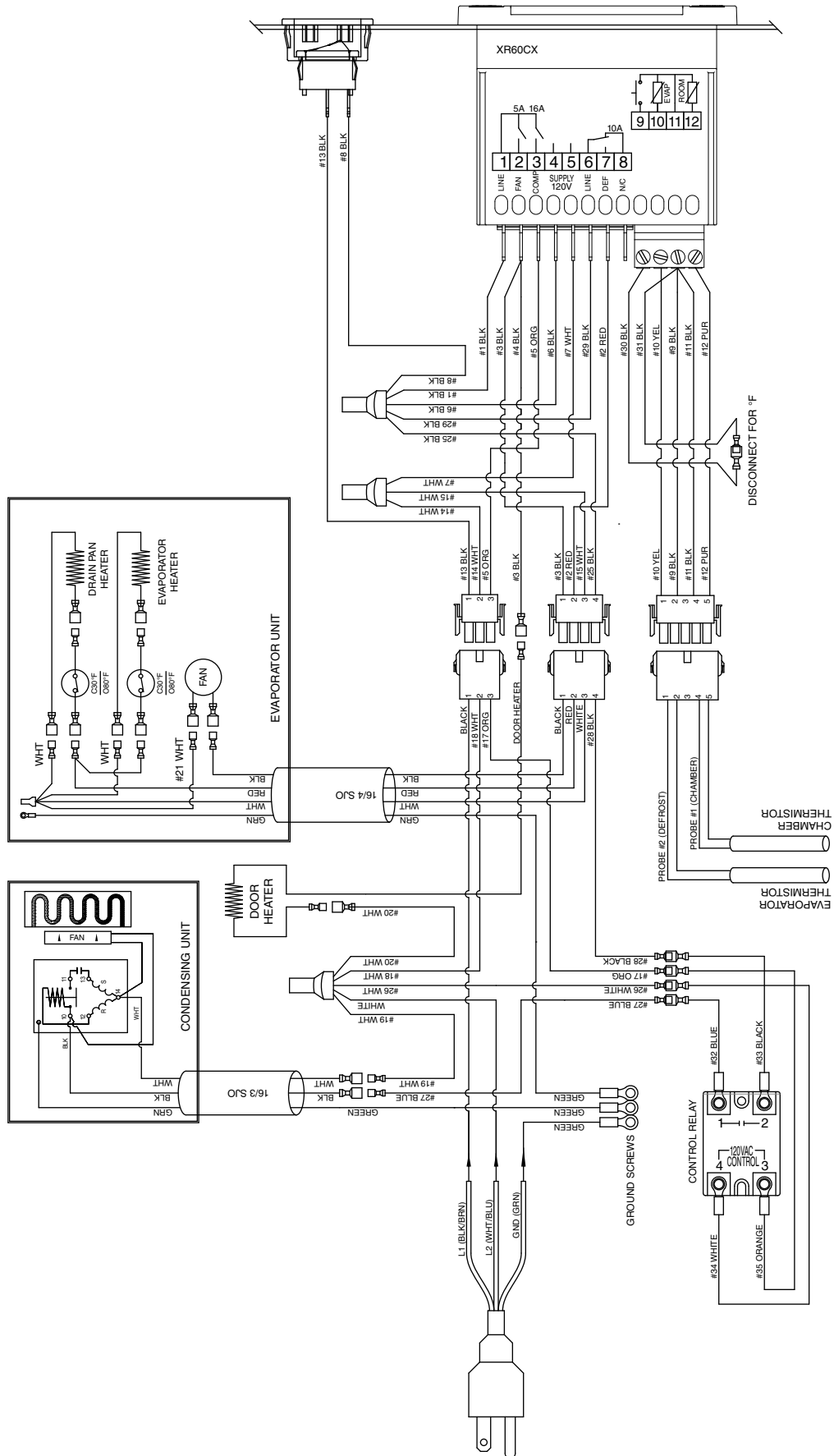
Fig. 13



Controller Replacement

1. Shut down unit by moving rocker switch on the lower front panel to the OFF position and removing power cord from receptacle.
2. Remove 6 screws from front panel and slide panel forward to access back of controller.
3. Disconnect front panel and wiring harness from freezer at the 3-, 4-, and 5-pin connectors and door heater connector to simplify replacement.
4. Push in on center of side brackets (on controller) to release and slide brackets back and off controller.
5. Push controller and wires out through front of front panel.
6. Using wiring diagram on next page (and attached to front panel) as a guide, remove wires one at a time from back of existing controller and connect to corresponding terminals on replacement controller.
7. Insert replacement controller back through front of panel.
8. Slide brackets onto sides of controller and push against back of front panel.
9. Reconnect 3-, 4-, and 5-pin connectors of wiring harness to freezer.
10. Keeping wiring clear of condenser, replace front panel.
11. Restore power and test operation. Reprogram replacement controller if necessary.

Wiring Diagram



Refrigeration System

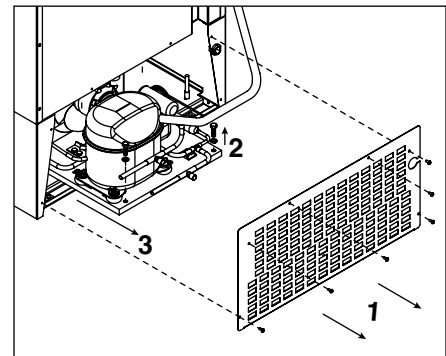
The FZR series -20 C (-4 F) freezer refrigeration system is designed to give many years of trouble-free service. Except for routine cleaning and inspection of the air-cooled condenser and evaporator defrost, the refrigeration system requires no service or maintenance. The system uses a thermostatic expansion valve and is critically charged. Access fittings are provided for ease of service. However, the connection of refrigeration service hoses to the fittings will almost invariably result in a significant change in the system charge. This change can adversely affect the performance of your freezer. Therefore, Follett recommends that if hoses are ever connected to the refrigeration system for service, the refrigerant should be recovered, the system evacuated, and recharged by weighing in the correct refrigerant charge.

Note: Do not charge the system by pressures.

Checking Refrigeration System Pressures

1. Remove the rear access panel (**Fig. 14**).
2. Turn the power switch to the on position.
3. Following the instructions on [page 7](#), verify that the temperature controller is set to the original factory cut-in setting of -25 C (-13 F).
4. Allow the freezer to operate and stabilize at least 60 minutes, verifying the cut-out temperature is being reached.
5. Connect refrigerant gauges to access fittings and measure air temperature at condenser intake grille.
6. Verify correct pressures with the temperature chart below.
7. Troubleshoot refrigeration system as needed.

Fig. 14

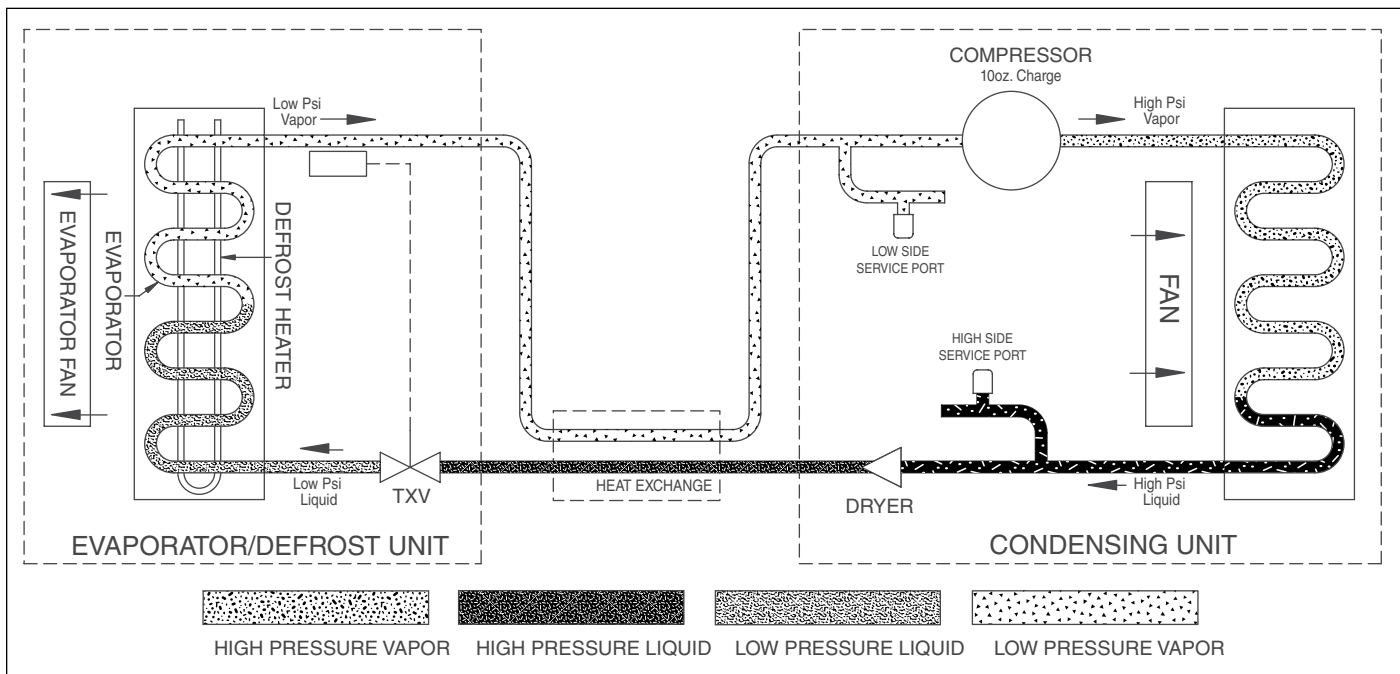


Discharge and suction pressure table

| Condenser Inlet Air Temperature | 70 F (21 C) | 80 F (27 C) | 90 F (32 C) | 100 F (38 C) |
|---------------------------------|-------------|-------------|-------------|--------------|
| Discharge pressure (psi) | 197 | 225 | 255 | 285 |
| Suction pressure (psi) | 12 | 13 | 14 | 15 |

Note: Do not attempt to obtain correct refrigeration pressures by adjusting the system charge.

Refrigeration System Diagram



Freezer Troubleshooting Guide

Before Calling For Service

Check to be sure unit is plugged in. Test outlet with another appliance to verify power.

| Symptom | Possible Cause | Solution |
|--|---|--|
| Freezer does not operate (no components run) | 1. Power switch faulty or in OFF position; loose connection. | 1. Turn power switch to ON position; check switch connections. |
| | 2. Freezer not plugged in. | 2. Connect plug. |
| | 3. No power to cord. | 3. Restore power. |
| | 4. Temp controller not energizing components. | 4. Check controller contact terminals for power. Replace controller if needed. |
| | 5. Probe not sensing cut in temperature. | 5. Replace controller and/or probe. |
| Compressor does not run | 1. Thermal overload open or defective. | 1. Allow to cool or replace. |
| | 2. Capacitor and/or relay defective. | 2. Replace as required. |
| | 3. Compressor defective. | 3. Replace compressor. |
| Compressor and condenser fan do not run. | 1. No power on terminal 3 of controller (during cooling). | 1. Replace controller. |
| | 2. Control relay coil open or faulty contacts. | 2. Replace control relay. |
| Evaporator fan motor does not run. | 1. No power on terminal 2 of controller (during cooling). | 1. Replace controller. |
| Freezer does not shut off. | 1. Controller not sensing cut off temperature. | 1. Replace controller and/or probe. |
| | 2. Control relay defective. | 2. Replace control relay. |
| | 3. Controller keeping refrigeration system energized. | 3. Replace controller. |
| Freezer does not maintain temperature (all components run). | 1. Fan upgrade needed | 1. If fan is not black in color contact Follett for a retrofit kit. |
| | 2. Condenser or evaporator coil needs cleaning. | 2. Clean coils as needed. |
| | 3. Faulty door gasket. | 3. Replace door gasket. |
| | 4. Excessively high ambient/humidity. | 4. Maximum recommended ambient is 86 F (30 C). |
| | 5. Refrigerant leak. | 5. Locate and repair leak. |
| | 6. Incorrect refrigerant charge. | 6. Recover, evacuate and weigh in correct charge. |
| | 7. Plugged expansion valve. | 7. Replace expansion valve. |
| | 8. Inefficient compressor. | 8. Consult technical service. |
| | 9. Evaporator coil blocked with ice. | 9. Depress defrost button on controller to defrost coil. |
| Evaporator does not defrost. | 1. Defective defrost heater. | 1. Replace defrost heater. |
| | 2. Faulty heater safety switch. | 2. Replace switch. |
| | 3. No power on terminal 7 of controller (during defrost). | 3. Replace controller. |
| | 4. Defrost settings may require change for specific applications. | 4. Call Follett's technical service department. |
| <p>If problems persist after following this basic troubleshooting guide, call Follett's technical service group at (877) 612-5086 or +1 (610) 252-7301.</p> | | |

Accessory Installation

The following instruction sheets are available in the download section of the Follett website (www.follettice.com).

Temperature Surveillance Module Accessory

- Reference instruction #00168609 (packed with module)

Temperature Alarm Accessory

- Reference instruction #00112052 (packed with alarm)

Pedestal Base

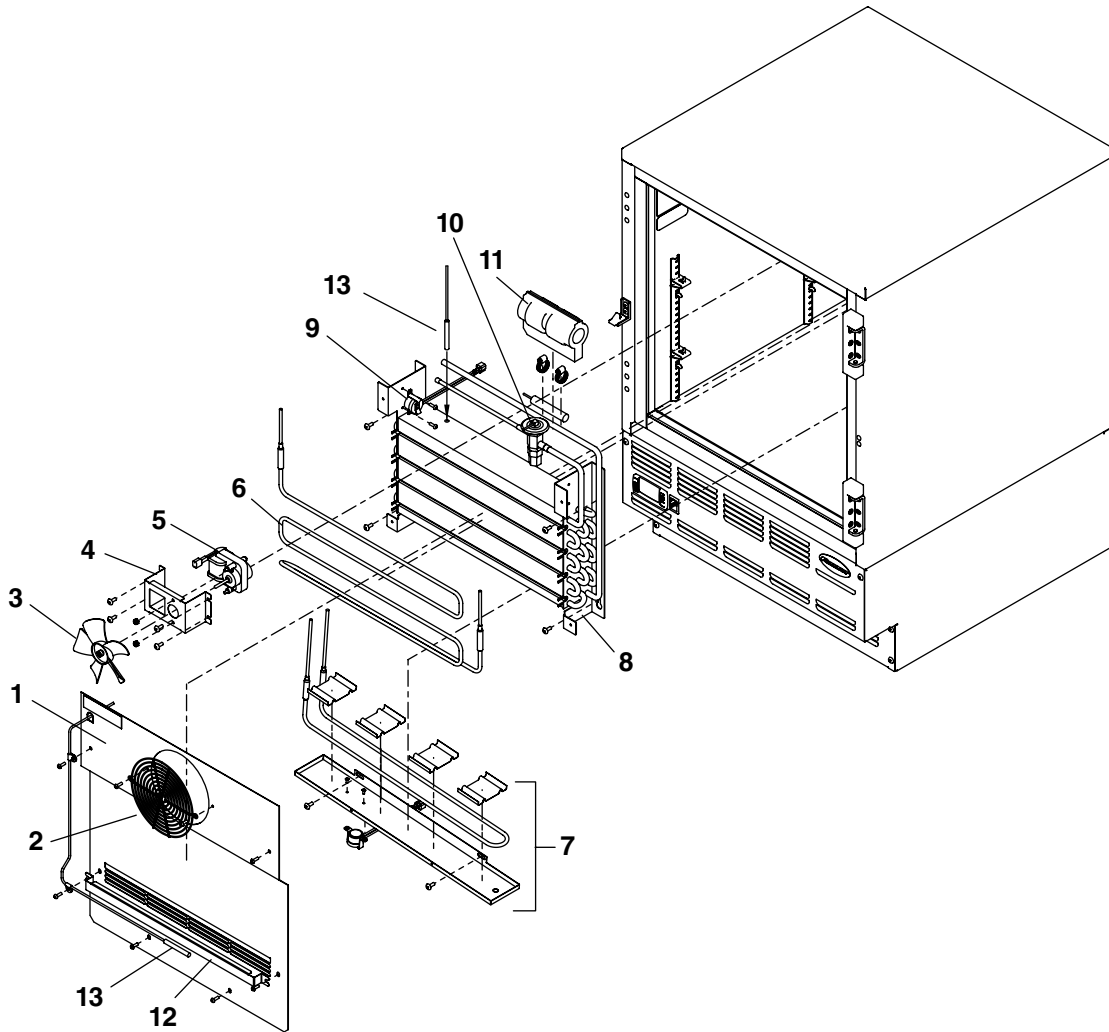
- Reference instruction #00192534 (packed with base)

Stacking Kit

- Reference instruction #00192526 (packed with stacking kit)

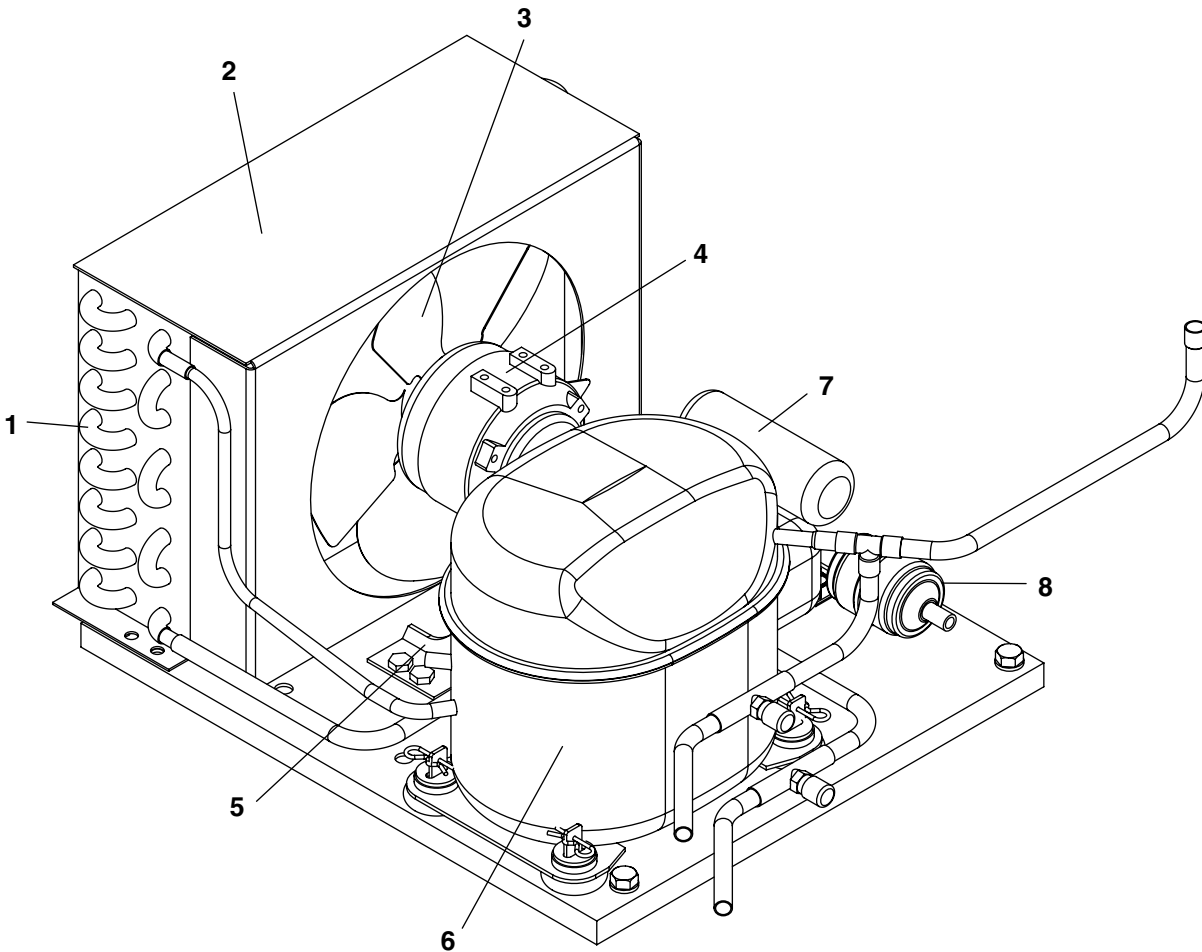
Replacement Parts

Evaporator



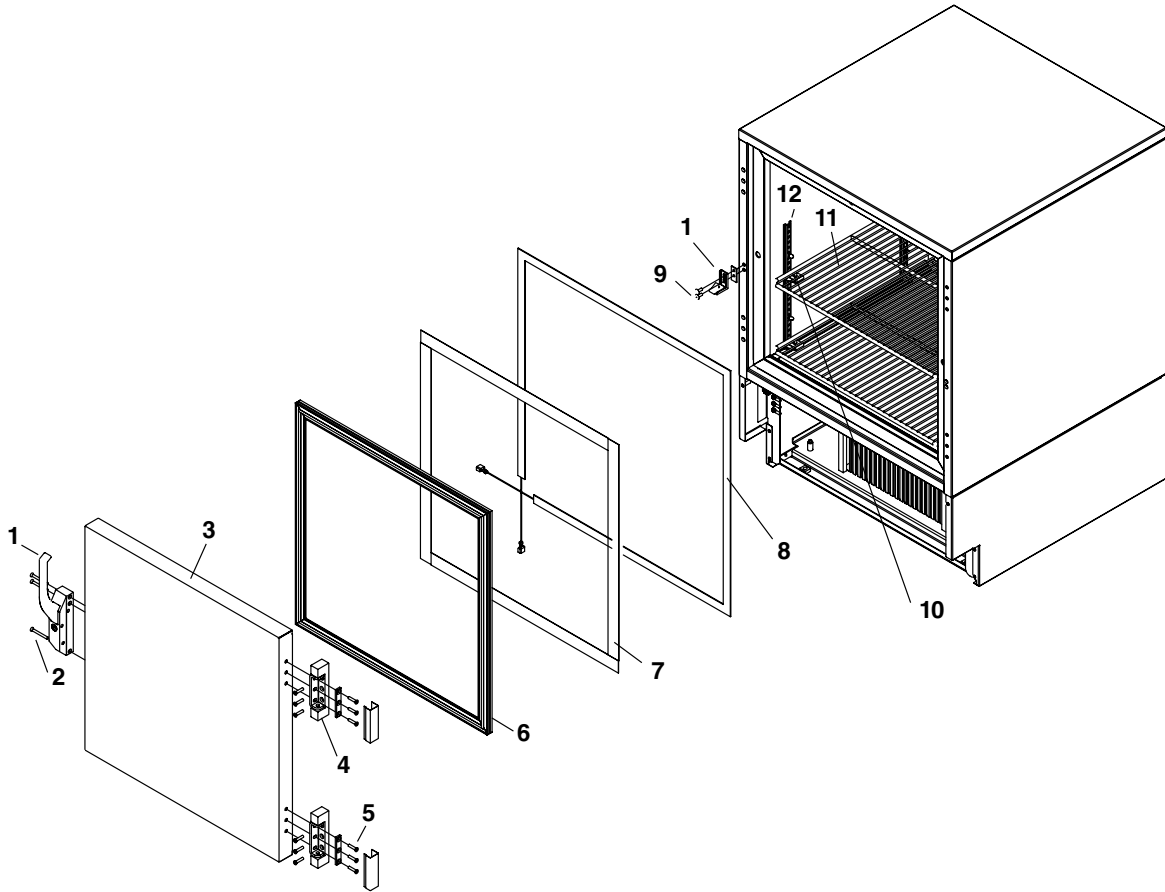
| Reference | Description | Part # |
|-----------|---|----------|
| 1 | Cover, evaporator, FZR5 (includes 00152892) | 00155564 |
| 1 | Cover, evaporator, FZR4-ADA (includes 00152892) | 00155572 |
| 2 | Fan guard | 00152892 |
| 3 | Fan blade | 00152991 |
| 4 | Bracket, fan motor | 00152983 |
| 5 | Fan motor, evaporator | 00104919 |
| 6 | Evaporator, defrost heater | 00923631 |
| 7 | Drain pan, defrost heater assembly | 00923649 |
| 8 | Evaporator | 01016906 |
| 9 | Heater safety switch | 00153932 |
| 10 | Expansion valve (includes 00106534) | 00155671 |
| 11 | Insulation, bulb | 00106534 |
| 12 | Evaporator cover guard | 00157586 |
| 13 | Probe1 and Probe 2 harness assy | 00155705 |

Condensing Unit



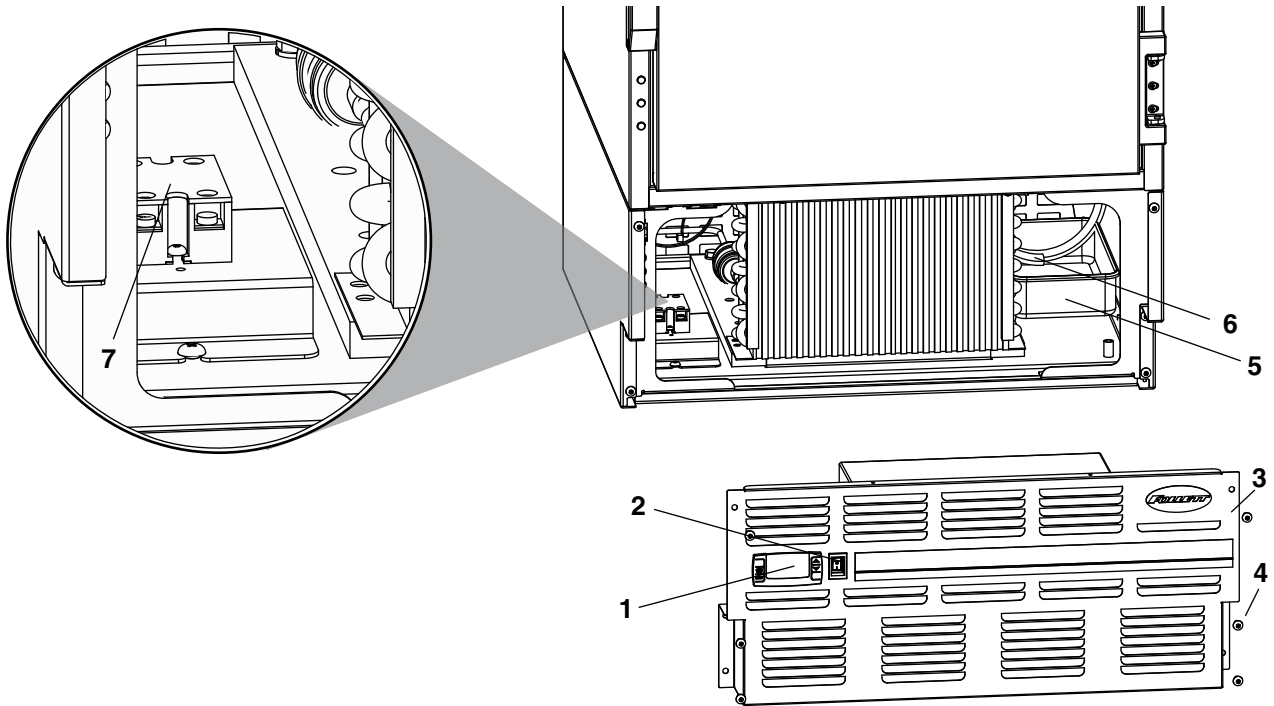
| Reference | Description | Part # |
|-----------|------------------------------------|----------|
| | Condensing unit | 00153874 |
| 1 | Condenser | 00157339 |
| 2 | Shroud, condenser | 00157347 |
| 3 | Condenser fan blade | 00105007 |
| 4 | Condenser fan motor | 00104992 |
| 5 | Fan motor bracket | 00157412 |
| 6 | Compressor (includes filter drier) | 00969147 |
| 7 | Starting capacitor | 00104968 |
| 8 | Filter drier | 502724 |
| Not shown | Cap, starting capacitor | 00105627 |
| Not shown | Starting relay | 00157305 |
| Not shown | Overload protector | 00104984 |

Hardware



| Reference | Description | Part # |
|-----------|--|----------|
| 1 | Latch & striker includes screws | 00105023 |
| 2 | Latch screws, 3 per latch | 00103507 |
| 3 | Door, FZR5 (includes gasket - 21 3/8" x 21 3/8") | 00105015 |
| 3 | Door, FZR4-ADA (includes gasket - 21 3/8" x 18 5/8") | 00113910 |
| 4 | Hinge, each - 2 required, includes screws | 00105031 |
| 5 | Hinge screws, each - 6 per hinge | 00105080 |
| 6 | Gasket, FZR5 | 00125732 |
| 6 | Gasket, FZR4-ADA | 00127738 |
| 7 | Strip sealer (set of 4) FZR5 | 00130138 |
| 7 | Strip sealer (set of 4) FZR4-ADA | 00130146 |
| 8 | Door heater, FZR4-ADA (includes 00130146) | 00155549 |
| 8 | Door heater, FZR5 (includes 00130138) | 00155531 |
| 9 | Striker screws, each - 2 per striker | 502287 |
| 10 | Shelf | 00152876 |
| 11 | Shelf support, snap in, each | 00156240 |
| 12 | Pilaster, each | 00105346 |
| Not shown | Thumbscrews, set of 8 | 00105353 |

Hardware and Electrical Components



| Reference | Description | Part # |
|-----------|--|----------|
| 1 | Temperature controller, FZR 4/5, Dual map | 00975706 |
| Not shown | Temperature probes & harness | 00155705 |
| 2 | Power switch | 00114371 |
| 3 | Front panel (includes 00114371 and 00105379) | 00157669 |
| 4 | Front panel screws, each - 6 per panel | 00105379 |
| Not shown | Rear panel, includes screws | 00130161 |
| Not shown | Rear panel screws, each - 6 per panel | 00105387 |
| 5 | Condensate pan | 00155622 |
| 6 | Evaporator drain line, sold by the foot | 203627 |
| 7 | Control relay | 00976852 |
| Not shown | Programming key, XR60CX Dual map, FZR 4/5 | 00924050 |
| Not shown | Power cord | 00103903 |

Follett is a registered trademark of Follett Corporation, registered in US.