

# FlexLock-ready

Follett refrigerators

## Description

Follett refrigerators custom designed for the Omnicell® XT FlexLock Refrigerator Lock and Temperature Monitor include pre-drilled holes to improve durability and decrease installation time. With Follett refrigerators and FlexLock, hospitals benefit from the enhanced medication management enabled by Omnicell's XT Automated Dispensing Cabinets.

## Features

Pre-drilled holes remove the need for double-sided tape and decrease wait-time required for adhesive to dry

Quick and easy installation allows refrigerators to be service ready in less than 15 minutes

## Certifications

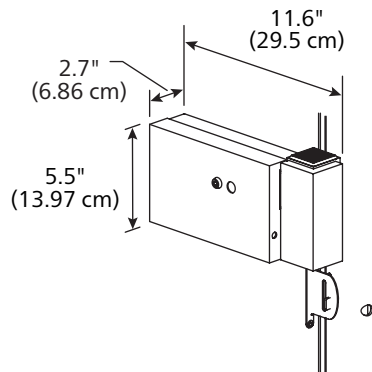


Commercial Refrigerator  
SAFETY US/CA – SA12646

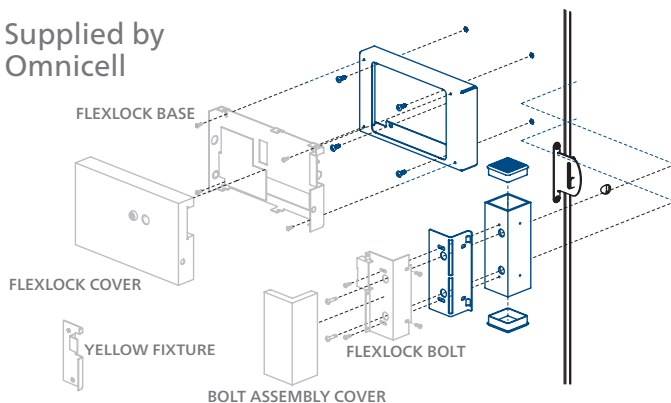


Follett undercounter shown with FlexLock. FlexLock available for purchase from Omnicell.

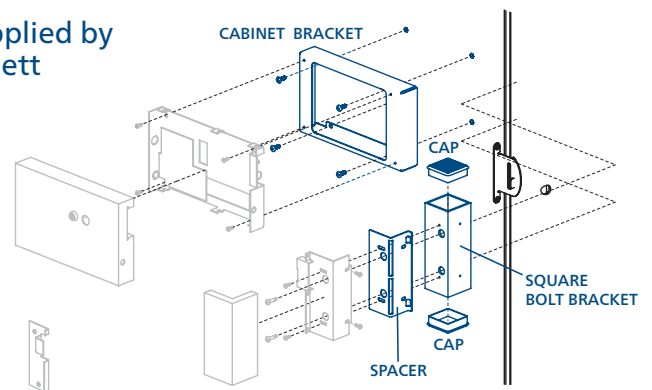
## Dimensional drawing



### Supplied by Omnicell



### Supplied by Follett



## Performance Plus undercounter refrigerator model configurations

Item number	Cubic capacity cu ft (L)	Storage system	Hinging	Door style	Heated door	Keypad	Width in (cm)	Depth in (cm)	Height in (cm)	Approx. ship wt lb (kg)
<b>LED digital temperature display</b>										
REFOMN4P-OR-00-00	3.9 (110)	2 shelves	right	stainless	no	no	23.75 (60.3)	27.00 (68.6)	31.38 (79.7)	205 (93)
REFOMN5P-OR-00-00	4.5 (127)	2 shelves	right	stainless	no	no	23.75 (60.3)	27.00 (68.6)	34.00 (86.4)	205 (93)
<b>7" LCD touchscreen digital temperature display</b>										
REFOMN4P-TR-00-00	3.9 (110)	2 shelves	right	stainless	no	no	23.75 (60.3)	27.00 (68.6)	31.38 (79.7)	205 (93)
REFOMN5P-TR-00-00	4.5 (127)	2 shelves	right	stainless	no	no	23.75 (60.3)	27.00 (68.6)	34.00 (86.4)	205 (93)

## Infinity Series™ single door upright refrigerator model configurations

Item number	Cubic capacity cu ft (L)	Vaccine storage capacity cu ft (L)	Storage system	Hinging	Door style	Heated door	Keypad	Width in (cm)	Depth in (cm)	Height in (cm)	Approx. ship wt lb (kg)
REFOMN12i-4S-R00G	12.0 (340)	7.2 (204)	4 shelves	right	glass	no	no	23.75 (60.3)	26.60 (67.6)	72.00 (182.9)	420 (191)
REFOMN20i-4S-R0000G	19.7 (558)	12.7 (360)	4 shelves	right	glass	no	no	29.75 (75.6)	30.50 (77.5)	79.50 (201.9)	431 (196)
REFOMN25i-4S-R0000G	24.6 (697)	16.8 (476)	4 shelves	right	glass	no	no	29.75 (75.6)	36.50 (92.7)	79.50 (201.9)	477 (217)
REFOMN12i-4S-R00S	12.0 (340)	7.2 (204)	4 shelves	right	stainless	no	no	23.75 (60.3)	26.60 (67.6)	72.00 (182.9)	420 (191)
REFOMN12i-4S-L00G	12.0 (340)	7.2 (204)	4 shelves	left	glass	no	no	23.75 (60.3)	26.60 (67.6)	72.00 (182.9)	420 (191)
REFOMN20i-4S-L0000G	19.7 (558)	12.7 (360)	4 shelves	left	glass	no	no	29.75 (75.6)	30.50 (77.5)	79.50 (201.9)	431 (196)
REFOMN25i-4S-L0000G	24.6 (697)	16.8 (476)	4 shelves	left	glass	no	no	29.75 (75.6)	36.50 (92.7)	79.50 (201.9)	477 (217)
REFOMN12i-4S-L00S	12.0 (340)	7.2 (204)	4 shelves	left	stainless	no	no	23.75 (60.3)	26.60 (67.6)	72.00 (182.9)	420 (191)
REFOMN12i-5B-R00G	12.0 (340)	7.6 (215)	5 baskets	right	glass	no	no	23.75 (60.3)	26.60 (67.6)	72.00 (182.9)	420 (191)
REFOMN20i-6B-R0000G	19.7 (558)	12.8 (362)	6 baskets	right	glass	no	no	29.75 (75.6)	30.50 (77.5)	79.50 (201.9)	489 (222)
REFOMN25i-6B-R0000G	24.6 (697)	16.4 (464)	6 baskets	right	glass	no	no	29.75 (75.6)	36.50 (92.7)	79.50 (201.9)	467 (212)
REFOMN12i-5B-R00S	12.0 (340)	7.6 (215)	5 baskets	right	stainless	no	no	23.75 (60.3)	26.60 (67.6)	72.00 (182.9)	420 (191)
REFOMN12i-5B-L00G	12.0 (340)	7.6 (215)	5 baskets	left	glass	no	no	23.75 (60.3)	26.60 (67.6)	72.00 (182.9)	420 (191)
REFOMN20i-6B-L0000G	19.7 (558)	12.8 (362)	6 baskets	left	glass	no	no	29.75 (75.6)	30.50 (77.5)	79.50 (201.9)	489 (222)
REFOMN25i-6B-L0000G	24.6 (697)	16.4 (464)	6 baskets	left	glass	no	no	29.75 (75.6)	36.50 (92.7)	79.50 (201.9)	467 (212)
REFOMN12i-5B-L00S	12.0 (340)	7.6 (215)	5 baskets	left	stainless	no	no	23.75 (60.3)	26.60 (67.6)	72.00 (182.9)	420 (191)
REFOMN12i-5D-R00G	12.0 (340)	7.5 (212)	5 drawers	right	glass	no	no	23.75 (60.3)	26.60 (67.6)	72.00 (182.9)	420 (191)
REFOMN12i-5D-R00S	12.0 (340)	7.5 (212)	5 drawers	right	stainless	no	no	23.75 (60.3)	26.60 (67.6)	72.00 (182.9)	420 (191)
REFOMN12i-5D-L00G	12.0 (340)	7.5 (212)	5 drawers	left	glass	no	no	23.75 (60.3)	26.60 (67.6)	72.00 (182.9)	420 (191)
REFOMN12i-5D-L00S	12.0 (340)	7.5 (212)	5 drawers	left	stainless	no	no	23.75 (60.3)	26.60 (67.6)	72.00 (182.9)	420 (191)

OMNICELL and the Omnicell brandmark are registered trademarks of Omnicell, Inc. in the United States and internationally. ©2021 All rights reserved.  
 INFINITY SERIES is a trademark of Follett Products, LLC.  
 FOLLETT and FOLLETT HEALTHCARE are registered trademarks of Follett Products, LLC, registered in the US.  
 Follett reserves the right to change specifications at any time without obligation. Certifications may vary depending on country of origin.

