

# Water filter systems

## carbon and carbonless accessories



### Features

Two systems to choose – carbon or carbonless

Capacities to choose – 3,000 or 15,000 gal (11,340 or 56,700 l) for carbon or 15,000 gal (56,700 l) for carbonless

All systems includes pre-filter, primary filter, pressure gauge and wall mounting bracket

### Carbon filters

- includes silver-based antimicrobial product protection of key water contact components<sup>1</sup>
- removes chlorine, off-tastes and odors

### Cleaner ice and water with all filters

- includes Micro-pure® II media (item# 00130229) or Fibredyne™ media (item# 00978957), both featuring antimicrobial product protection to inhibit the growth of biofilm and enhance filter performance<sup>1</sup>
- traps dirt as small as 0.5 micron in size
- advanced filtration system filters out parasitic cysts
- certified to ANSI/NSF standards 42 and 53

### Improve ice machine performance

- dramatically reduces the most common water-related ice machine problems to keep ice machines functioning at full capacity
- reduces scale build-up from dirt and minerals in the water
- removes dirt and abrasive particles that can damage ice machine
- saves energy and reduces downtime

### Space-saving design

- all systems can be mounted in areas as small as 14.75" (45.0 cm) wide by 21.00" (53.3 cm) high or out of the way below standard 34.00" - 36.00"(86.4 cm - 91.4 cm) counters

### Pre-filter system saves money

- economical pre-filter filters out large particles and extends life of primary filter

Filter system compatibility	Filter system	Capacity – gal (l)	Item number
Symphony™ and Symphony Plus™ ice and water dispensers, Maestro™ and Maestro Plus™ ice machines	Carbon	Standard – 3,000 (11,340)	00130229
Symphony and Symphony Plus ice and water dispensers, Maestro and Maestro Plus ice machines, Horizon and Horizon Elite ice machines	Carbon	High capacity – 15,000 (56,700)	00978957
Symphony and Symphony Plus ice and water dispensers, Maestro and Maestro Plus ice machines, Horizon and Horizon Elite ice machines	Carbonless	High capacity – 15,000 (56,700)	01050442

Replacement cartridge description	Filter system	Unit	Item number
Primary filter, standard capacity	Carbon	Carton of 6	00954297
		Single	00130245
Primary filter, high capacity	Carbon	Carton of 6	00978973
		Single	00978965
Primary filter, high capacity	Carbonless	Carton of 6	01050434
		Single	01050426
Pre-filter	Carbon and Carbonless	Carton of 12	00954305
		Single	00130211

## Specification

<b>W1</b> Width	14.25" (36.2 cm)
Depth	6.00" (15.24 cm)
<b>H1</b> Height	18.50" (47.0 cm)
Service clearance	2.50" (6.35 cm) at bottom for cartridge removal
<b>C1</b> Water inlet	3/4" FNPT (3/8" reducer bushing included with system)
<b>C2</b> Water outlet	3/8" FNPT
<b>C3</b> Pre-filter	10 micron capable
<b>C4</b> Primary filter	0.5 micron capable
<b>C5</b> Flushing valve	

Capacity	<b>Carbon</b> Standard – 3,000 gal (11,340 l) High capacity – 15,000 gal (56,700 l) <b>Carbonless</b> High capacity – 15,000 gal (56,700 l)
----------	---

Flow rate	<b>Carbon</b> Standard – 0.5 gpm (1.89 lpm) High capacity – 2.5 gpm (9.46 lpm) <b>Carbonless</b> High capacity – 2.0 gpm (7.57 lpm)
-----------	---

Water temperature	40 - 90 F (5 - 32 C)
Water pressure	10 - 125 psi (69 - 860 kpa)

<b>Carbon</b> NSF International ISS capable standard no. 42	Aesthetic effects – <ul style="list-style-type: none"> <li>• Chemical reduction: taste and odor and chlorine reduction</li> <li>• Mechanical filtration: particulate reduction, class 1: 99.9% reduction of particles 0.5 micron and larger in size</li> <li>• Microplastics reduction</li> </ul>
--	--

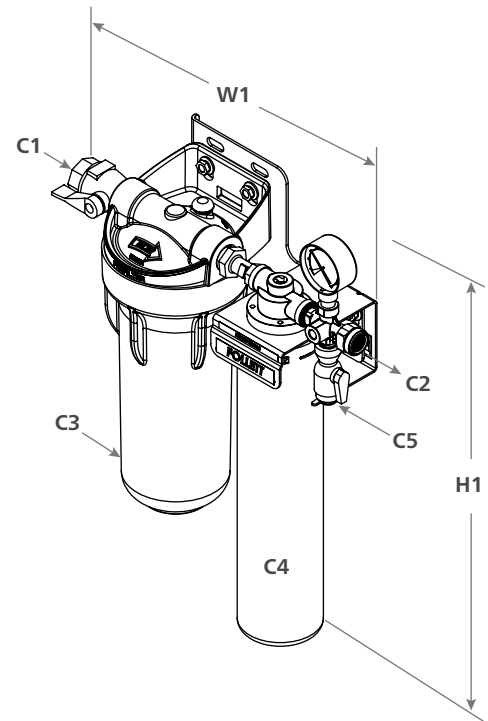
<b>Carbonless</b> NSF International standard no. 42	<ul style="list-style-type: none"> <li>• Mechanical filtration: nominal particulate reduction, class I</li> <li>• Microplastics reduction</li> </ul>
--	--

<b>Carbon</b> NSF International standard no. 53	Health effects – <ul style="list-style-type: none"> <li>• Mechanical filtration: cyst reduction</li> <li>• Turbidity reduction (high capacity only, item# 00978957)</li> </ul>
--	---

<b>Carbonless</b> NSF International standard no. 53	Health effects – <ul style="list-style-type: none"> <li>• Mechanical filtration: cyst reduction</li> </ul>
Approximate ship weight for filter system	15 lb (7 kg)

NOTE: For indoor use only. Check for compliance with state and local laws and regulations. Do not use any filtration system where the water is microbiologically unsafe or with water of unknown quality without adequate disinfection before or after the unit. May be used with disinfected water where filterable cysts may be present.

## Dimensional drawing



<sup>1</sup> Disclaimer: Antimicrobial protection is limited to the treated components and does not treat water. Everpure and Micro-Pure II are registered trademarks of Everpure, a division of Pentair Foodservice. Fibredyne is a trademark of Pentair Filtration Solutions, LLC, Hanover Park, IL, USA. HORIZON, HORIZON ELITE, MAESTRO, MAESTRO PLUS, SYMPHONY and SYMPHONY PLUS are trademarks of Follett Products, LLC. FOLLETT is a registered trademark of Follett Products, LLC, registered in the US. Follett reserves the right to change specifications at any time without obligation. Certifications may vary depending on country of origin.

## Water filter system accessories

