

FZRNAT5 Edge Series™

medical-grade undercounter freezer



Features

Superior temperature performance

- microprocessor temperature controller factory set at -20 C
- variable speed compressor
- R600a refrigerant meets Significant New Alternatives Policy (SNAP) and the AIM Act of 2020 for the low global warming potential and no ozone-depleting substances
- maintains -15 to -25 C (5 to -13 F) temperature set point and ±5 C uniformity
- manual defrost ensures frozen enzymes and vaccines are not exposed to temperature deviations

Convenience and security

- extremely quiet, 43 dBA
- fits below 36.00" (91.4 cm) standard countertops
- door-mounted LED digital temperature display features preset automatic alarm tracking around set point
- user-programmable audible and visual high/low alarms
- right-hinged solid door protects light-sensitive materials
- self-closing door mechanism
- mechanical lock – top mounted with two keys

Protection for your valuable products

- engineered to meet CDC guidelines in a small footprint
- evaporator shelving and forced air circulation within the chamber ensure rapid recovery after door openings
- precision temperature control and uniformity

Durability and serviceability

- white painted steel exterior
- leveling legs
- three coated steel wire shelves standard
- front breathing

Warranty

- 2 year parts and labor
- 5 year compressor parts only

Certifications



Model configurations			
Controls	Hinge location ¹	Door configuration	Item number
LED	right	solid	FZRNAT5-SD

¹ As facing the unit.

Options and accessories

Stacking kit (item# 01528157)

Specification

Nominal capacity	5.0 cu ft (142 L)
Ventilation clearance	0.25" (0.64 cm) left side and top
Door clearance	2.5" (6.35 cm) minimum on right side for door swing
Altitude restriction	up to 6,562 ft (2,000 m)

Exterior

W1 Width	23.84" (60.6 cm)
D1 Depth cabinet	23.70" (60.2 cm)
Depth with façade	24.50" (62.2 cm)
H1 Height	34.10" (86.6 cm)
Exterior finish	white painted steel
Door swing	26.30" (66.8 cm) from front of cabinet

Interior

Width	19.90" (50.5 cm)
Depth	17.10" (43.4 cm)
Height	25.60" (65.0 cm)
Interior finish	HFO vacuum formed plastic
Storage system	(3) coated steel wire shelves, not adjustable
Shelf dimensions	19.2" x 14.75" (48.8 cm x 37.5 cm)
Max load rating per shelf	33 lb (15 kg)

Door configurations

Door	solid, white galvanized steel 23.75" x 30.5" x 2.6" (60.3 x 77.5 x 6.6 cm)
Door lock	cylinder lock, top mounted, 2 keys
Door handle	injection molded high strength polymer
Door hinges	self-closing, right-hinge only
Gasket	magnetic

Electrical

C1 115 V/60/1 electrical	1.6 run load amps, NEMA 5-15P requires NEMA 5-15R receptacle, 5' (1.52 m) cord.
Maximum size of branch circuit overcurrent device	15 amps dedicated circuit

Controls

Temperature display	LED, microprocessor control system
Programmable lockout	anti-tamper lockout, factory set to off
C2 3rd party probe access	right side access port
Factory preset	-20 C
Air temperature sensor	thermistor style
Programmable operating range	-15 to -25 C (5 to -13 F), 0.1 C increments

Alarming

High and low product temperature alarm	audible and visual; ± 5 C from set point
Door ajar alarm	audible and visual
Sensor failure	visual

System performance

Refrigeration system	direct contact evaporator shelving
Compressor	variable speed
Refrigerant and charge	R600a refrigerant, 0.114 lb (52 g)
Energy consumption	0.290 kWh/day

Sound level	43 dBA
Defrost	manual

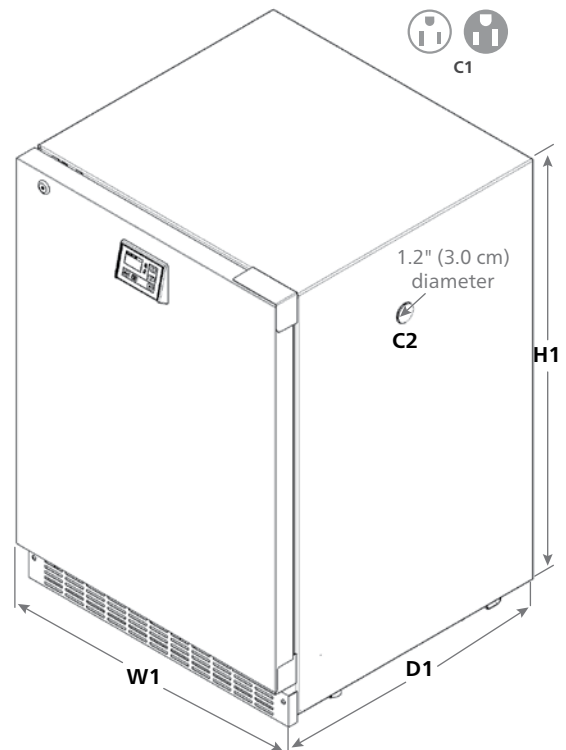
Shipping

Approximate net weight	100 lb (45 kg)
Approximate ship weight	130 lb (59 kg)

NOTE: For indoor use only

SHORT FORM SPECIFICATION: Edge Series undercounter freezer with steel door fits under 36.00" (91.4 cm) standard height counter with 5.0 cu ft (142 L) of nominal capacity. Includes (3) coated steel wire shelves, not adjustable. Environmentally friendly natural R600a refrigerant and direct contact evaporator shelving refrigeration system. Top-mounted controls display air temperature in C. Integral high and low temperature alarming. 5' (1.5 m) power cord with NEMA 5-15P requires NEMA 5-15R receptacle. UL and Energy Star listed.

Dimensional drawing



ENERGY STAR and the ENERGY STAR mark are registered trademarks owned by the U.S. Environmental Protection Agency. EDGE SERIES is a trademark of Follett Products, LLC. FOLLETT and FOLLETT HEALTHCARE are registered trademarks of Follett Products, LLC, registered in the US. Follett reserves the right to change specifications at any time without obligation. Certifications may vary depending on country of origin.

FZRNAT5 undercounter freezer