

# Bin correctional package

Upright ice storage bins and  
Ice•Devlce™ ice storage and dispensing systems



The correctional package accessory provides safety, security, and tamper-resistance to Follett's® upright ice storage bins with SmartGATE® ice shield and Ice•Devlce ice storage and dispensing systems. Correctional package includes lockable hasps, tamper resistant screws, and the elimination of the inspection window.

Designed for prisons and other facilities where security is a must

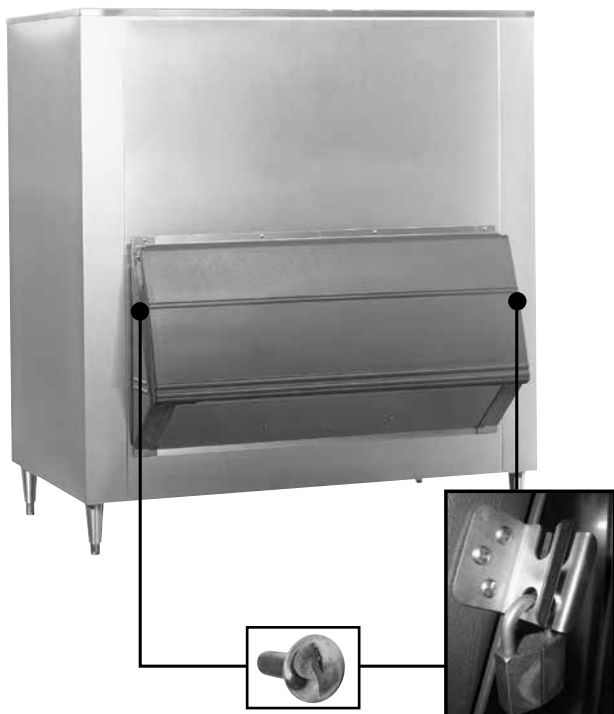
- inspection window found in standard Follett bins is eliminated, restricting access to ice
- lockable hasps are attached to both ends of access door assembly further restricting access to ice
- tamper resistant screws used to attach access door to body of bin to make it difficult to remove access door without a specialized tool
- lock not included

Available for many Follett bin models

- correctional package accessory is available for all SmartGATE upright bins (except SG1000S-36 and SG2000S-60) and Ice•Devlce ice storage and dispensing systems
- specify item# 00917054 in addition to the desired ice storage bin or dispensing system
- correctional package accessory does not change the overall dimension of the respective bins
- for specific bin specifications, refer to specification sheets for SmartGATE upright bins (form# 9140 and 9145) or Ice•Devlce ice storage and dispensing systems (form# 9720 and 2320)

Ice dispensing models

- thumbscrews are utilized on Ice•Devlce chute to enable removal for cleaning
- hole openings on ice dispensing chute are compatible with tamper-resistant screws
- when cart is not in use, store in a secure area



## Single door upright ice storage bin with SmartGATE

Model	Maximum bin capacity lb (kg) <sup>1</sup>	Cubic Volume cu ft (m)
SG500S-30	460 (209)	14.8 (0.41)
SG700S-30	680 (309)	21.7 (0.61)
SG860S-48	860 (391)	25.5 (0.72)
SG1010S-48	1000 (454)	31.9 (0.90)
SG1175S-48	1185 (538)	37.6 (1.06)
SG1300S-48	1320 (599)	41.9 (1.19)
SG1160S-56	1170 (531)	37.3 (1.06)
SG1350S-56	1360 (617)	43.2 (1.22)
SG1080S-60	1080 (490)	34.3 (0.97)
SG1325S-60	1325 (602)	42.0 (1.19)
SG1475S-60	1490 (676)	47.4 (1.34)
SG1650S-60	1660 (754)	52.8 (1.50)

Request form# 9140 for more details.

## Double door upright ice storage bin with SmartGATE

Model	Maximum bin capacity lb (kg) <sup>1</sup>	Cubic Volume cu ft (m)
SG1850-96	1870 (849)	59.40 (1.68)
SG2100-72	2110 (958)	67.10 (1.90)
SG2250-72	2250 (1022)	71.50 (2.02)
SG2650-72	2650 (1203)	84.00 (2.38)
SG3200-72	3240 (1471)	102.70 (2.90)
SG3900-72	3940 (1789)	125.10 (3.54)
SG4600-72	4640 (2107)	147.40 (4.17)

Request form# 9145 for more details.

## Single door Ice•Devlce ice dispensing bin with SmartGATE

Model	Maximum bin capacity lb (kg) <sup>1</sup>	Cubic Volume cu ft (m)
DEV500SG-30	460 (209)	14.80 (0.41)
DEV700SG-30	680 (309)	21.70 (0.61)
DEV860SG-48	860 (390)	25.50 (0.72)
DEV1010SG-48	1000 (454)	31.90 (0.90)
DEV1175SG-48	1185 (538)	37.60 (1.06)
DEV1300SG-48	1320 (599)	41.90 (1.19)
DEV1160SG-56	1170 (531)	37.30 (1.06)
DEV1350SG-56	1360 (617)	43.20 (1.22)
DEV1080SG-60	1080 (490)	34.30 (0.97)
DEV1325SG-60	1325 (602)	42.00 (1.19)
DEV1475SG-60	1490 (676)	47.40 (1.34)
DEV1650SG-60	1660 (754)	52.80 (1.50)

Request form# 9720 for more details.

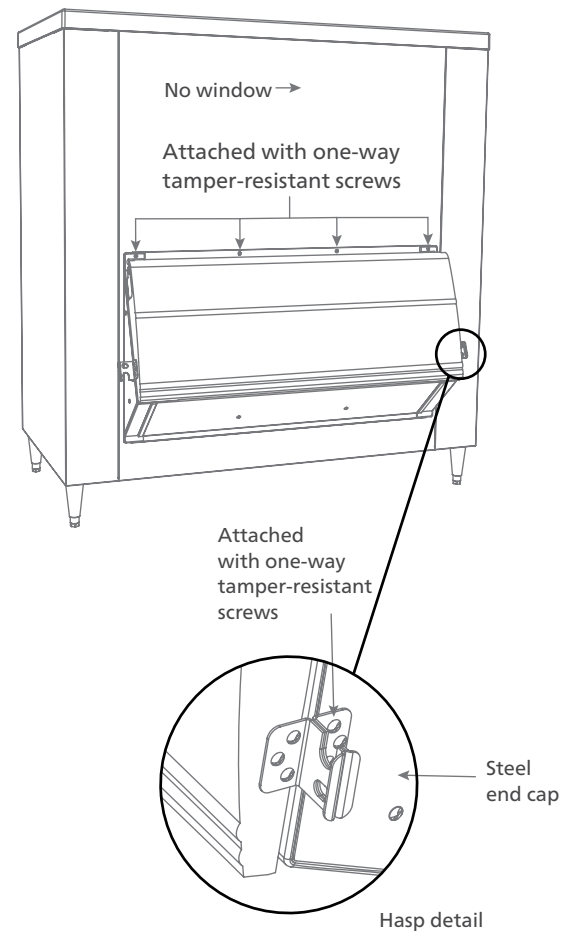
## Double door Ice•Devlce ice dispensing bin with SmartGATE

Model	Maximum bin capacity lb (kg) <sup>1</sup>	Cubic Volume cu ft (m)
DEV2100SG-72	2110 (958)	67.1 (1.90)
DEV2250SG-72	2250 (1022)	71.5 (2.02)
DEV2650SG-72	2650 (1203)	84.0 (2.38)
DEV3200SG-72	3240 (1471)	102.7 (2.90)
DEV3900SG-72	3940 (1789)	125.1 (3.54)
DEV4600SG-72	4640 (2107)	147.4 (4.17)

Request form# 2320 for more details.

<sup>1</sup> Computed on cubic volume of bin. Does not reflect voids that can occur due to pyramiding.

## Dimensional drawing



Models listed are compatible with the correctional facility package. Specify item# 00917054 in addition to desired ice storage bin or dispensing system.

Standard carts and Totes™ ice carriers are included with Ice•Devlce ice storage and dispensing systems.

For complete bin specifications, please request specification sheet noted for each product family.

ICE•DEVlCE and TOTES are trademarks of Follett Products, LLC.

FOLLETT and SMARTGATE are registered trademarks of Follett Products, LLC, registered in the US.

Follett reserves the right to change specifications at any time without obligation. Certifications may vary depending on country of origin.

## Bin correctional package