

FlexLock-ready

Follett refrigerators



Shown with FlexLock. FlexLock available for purchase from Omnicell.

Description

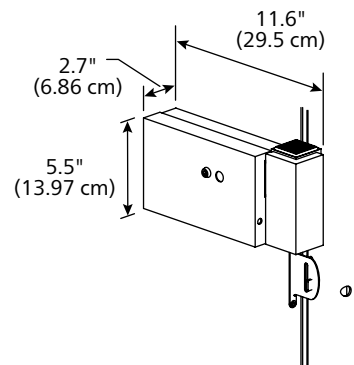
Follett refrigerators custom designed for the Omnicell® XT FlexLock Refrigerator Lock and Temperature Monitor include pre-drilled holes to improve durability and decrease installation time. With Follett refrigerators and FlexLock, hospitals benefit from the enhanced medication management enabled by Omnicell's XT Automated Dispensing Cabinets.

Features

Pre-drilled holes remove the need for double-sided tape and decrease wait-time required for adhesive to dry

Quick and easy installation allows refrigerators to be service ready in less than 15 minutes

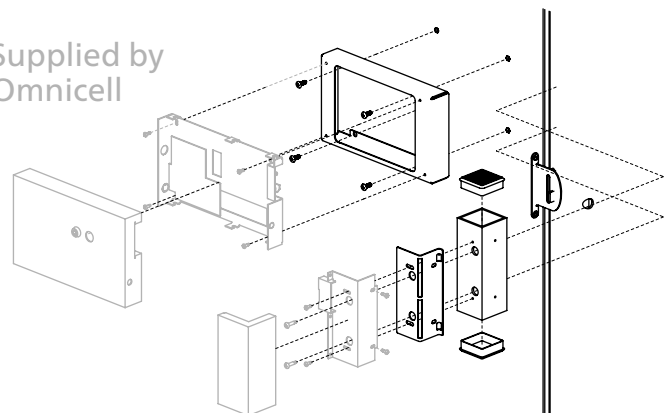
Dimensional drawing



Undercounter refrigerator models	
Description	Item number
ADA-height 3.9 cu ft, LED controls, solid door	REFOMN4P-OR-00-00
standard counter height 4.5 cu ft, LED controls, solid door	REFOMN5P-OR-00-00
ADA-height 3.9 cu ft, Touchscreen controls, solid door	REFOMN4P-TR-00-00
Standard counter height 4.5 cu ft, Touchscreen controls, solid door	REFOMN5P-TR-00-00

Upright refrigerator models	
Description	Item number
20 cu ft, four wire shelves standard	REFOMN20-LB-R0000G
25 cu ft, four wire shelves standard	REFOMN25-LB-R0000G
20 cu ft, six roll-out wire baskets standard	REFOMN20-PH-R0000G
25 cu ft, six roll-out wire baskets standard	REFOMN25-PH-R0000G

Supplied by Omnicell



OMNICELL and the Omnicell brandmark are registered trademarks of Omnicell, Inc. in the United States and internationally. ©2021 All rights reserved.
 FOLLETT and FOLLETT HEALTHCARE are registered trademarks of Follett Products, LLC, registered in the US.
 Follett reserves the right to change specifications at any time without obligation. Certifications may vary depending on country of origin.

