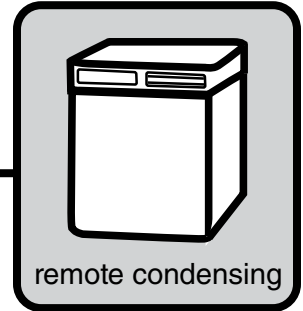
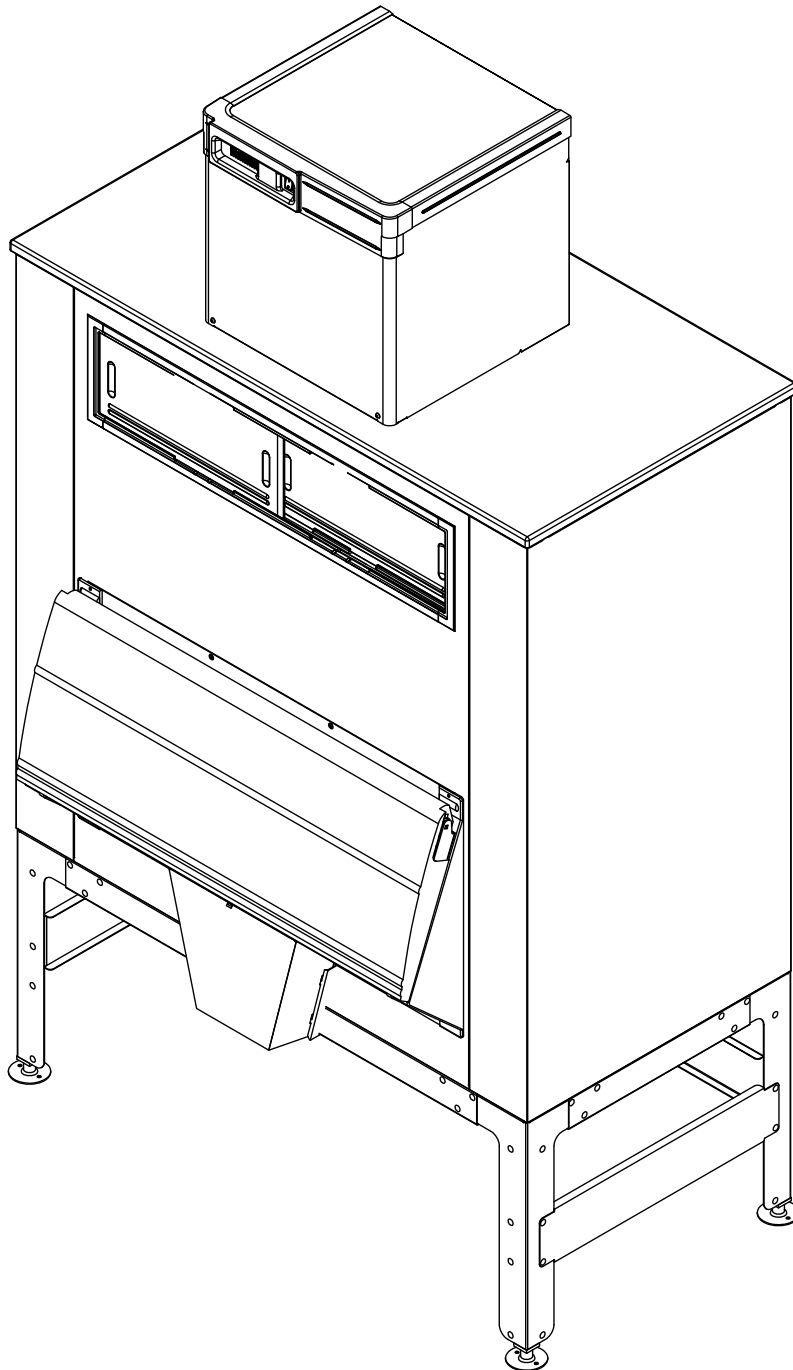


Horizon Elite™ Ice Machine Installation Instructions for Ice Storage Bin Top-mount Applications

HCD/HMD/HCF/HMF1010RBT, HCD/HMD/HCF/HMF1410RBT,
HCD1010NBT, HMD1010NBT, HCD1410NBT, HMD1410NBT
(See model number configurator on page 2 for details.)



After Serial Number L82638



801 Church Lane • Easton, PA 18040, USA
Toll free (877) 612-5086 • +1 (610) 252-7301
www.follettice.com

0113315R04

Chewblet® Ice Machine Model Number Configurations

HC
D
1810
A
V
S


Icemaker	Voltage	Series	Condenser	Application	Configuration
MC Maestro™ Chewblet® (425 Series)	C 208-230/60/1 (icemaking head) <i>Self-contained only.</i>	425 up to 425 lbs (193 kg)	A Air-cooled, self-contained W Water-cooled, self-contained	V Vision™ H Harmony™	S RIDE™ (RIDE remote ice delivery equipment)
HC Horizon Chewblet (710, 1010, 1410, 1810, 2110 Series)	D 115/60/1 (icemaking head) <i>Self-contained and remote. If remote unit, high side is 208-230/60/1.</i>	710 up to 675 lbs (306 kg)	R Air-cooled, remote condensing unit N Air-cooled, no condensing unit for connection to parallel rack system	B Ice storage bin J Drop-in M Ice Manager™ diverter valve system P Cornelius Profile PR150	T Top-mount
HM Horizon Micro Chewblet™	E 230/50/1 (icemaking head) <i>Self-contained only.</i> F 115/60/1 (icemaking head) <i>Remote only. High side is 208-230/60/3.</i>	1010 up to 1061 lbs (482 kg) 1410 up to 1466 lbs (665 kg) 1810 up to 1790 lbs (812 kg) 2110 up to 2039 lbs (925 kg)			

CAUTION!


- This appliance should be connected by a qualified person in accordance with applicable codes.
- If the supply cord is damaged, it must be replaced by the manufacturer, its service agent or similarly qualified persons in order to avoid a hazard.
- Connect to potable water supply only.
- This appliance can be used by children aged 8 years and above and persons with reduced physical, sensory, or mental capabilities, or lack of experience and knowledge if they have been given supervision or instruction concerning use of the appliance in a safe way and understand the hazards involved. Children should be supervised to ensure that they do not play with the appliance.
- This appliance is intended to be used for household and similar applications such as staff kitchen areas in shops, offices and other working environments; farm houses and by clients in hotels, motels and other residential type environments; bed and breakfast type environments; catering and similar non-retail applications.
- **WARNING!** To avoid a hazard due to instability of the appliance, it must be fixed in accordance with the instructions.

Read and complete the following 8 installation steps

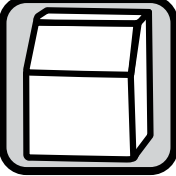
1 **Unpack** _____



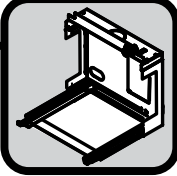
2 **Site preparation** _____




3 **Bin preparation** _____



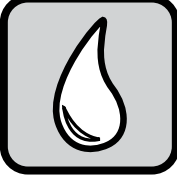
4 **Docking assembly** _____



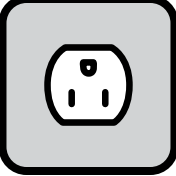
5 **Ice transport tube** _____



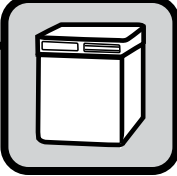
6 **External connection** _____



7 **Internal connection** _____



8 **Front cover** _____



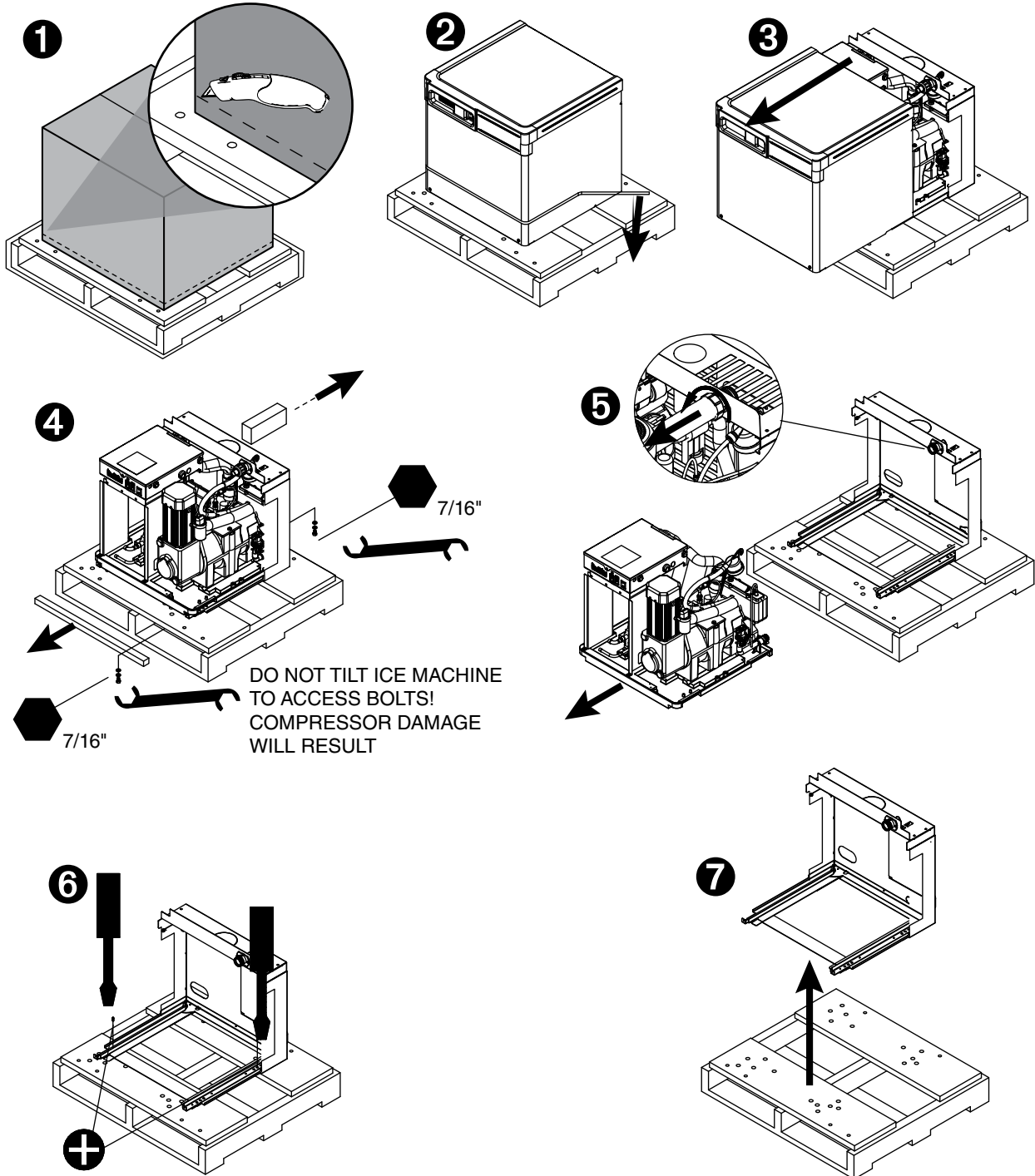
Carefully unpack and inspect the contents of your Follett ice machine.

Unpack

1

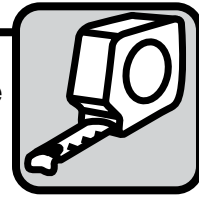


1.1 Unpack ice machine

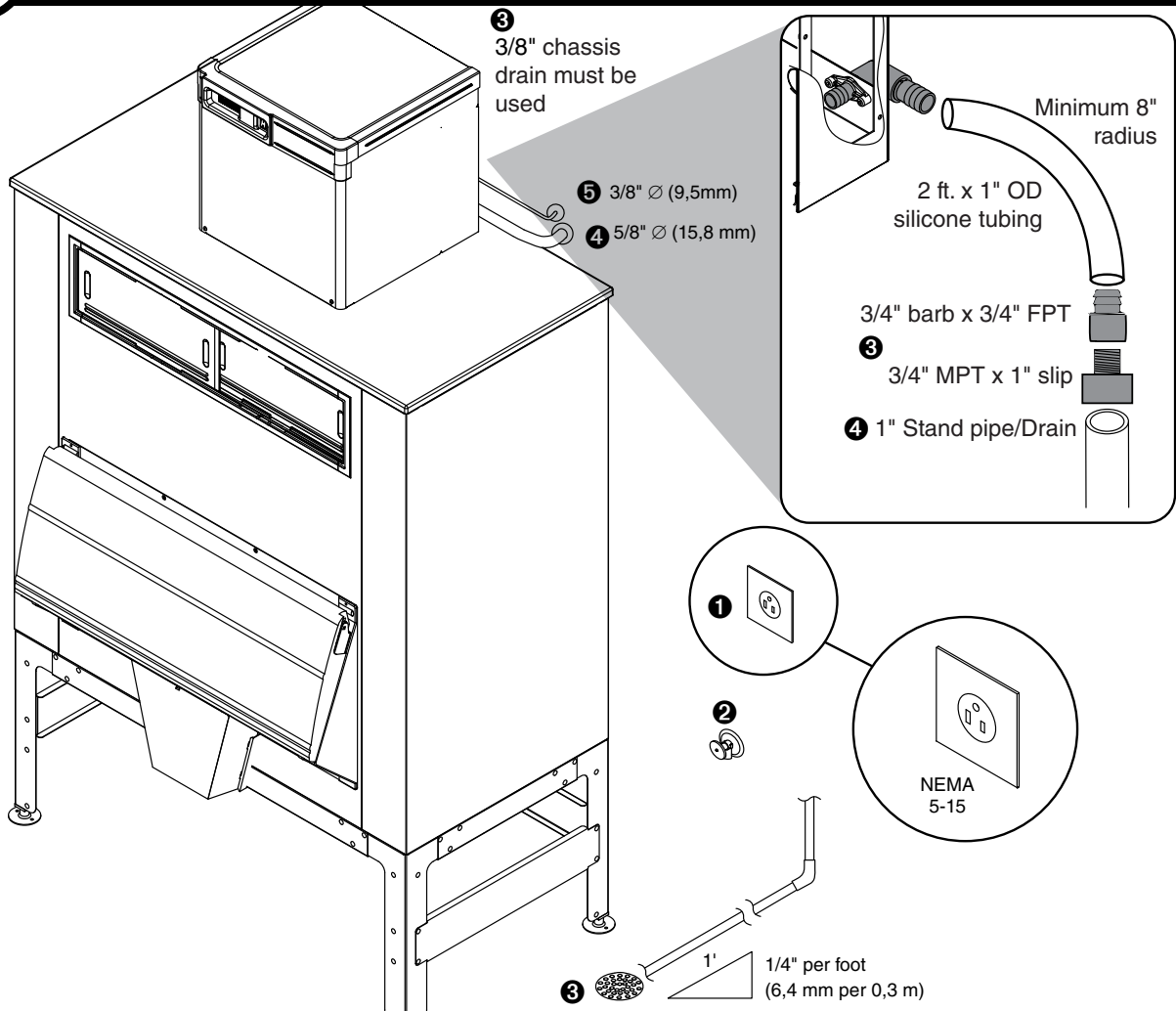


Prepare the installation site.

Provide drainage, water supply and electrical power to within 6 feet (2m) of ice machine in accordance with local and national codes. Outdoor installation is not recommended and will void warranty.



2.1 Installation site requirements



Electrical **1**

- 120/60/1-5 amps

Potable water supply **2** (3/8" push-in connection, 3/8" OD tubing required)

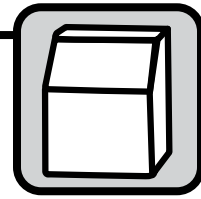
- 10–70 psi (69–483 kpa)
- 45–90 F (7–32 C)
- Follett recommends the use of an in-line water filtration system (item# 00130286)
- This equipment is to be installed with adequate backflow protection to comply with applicable federal, state, and local codes

Drains: **3** 3/4" Barb for silicone drain, 3/8" push-to-connect for chassis drain

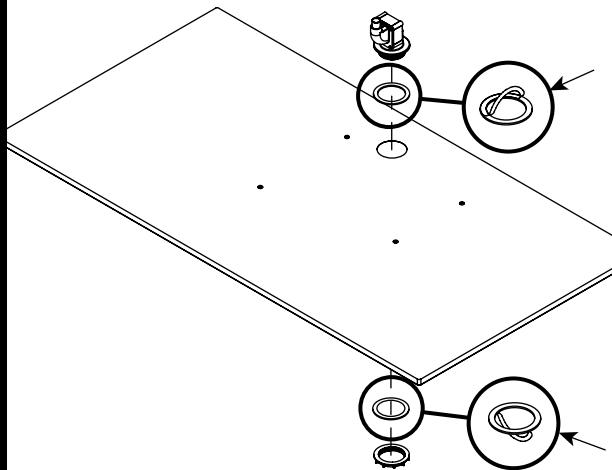
- Minimum 8" radius on silicone drain line. Drain line from the ice machine must have at least 1/4" per foot pitch (6,4 mm/0,3 m).

Refrigeration lines **4**

- 5/8" Ø (15,8 mm) diameter suction line (insulated) **4**
- 3/8" Ø (9,5 mm) liquid line **5**

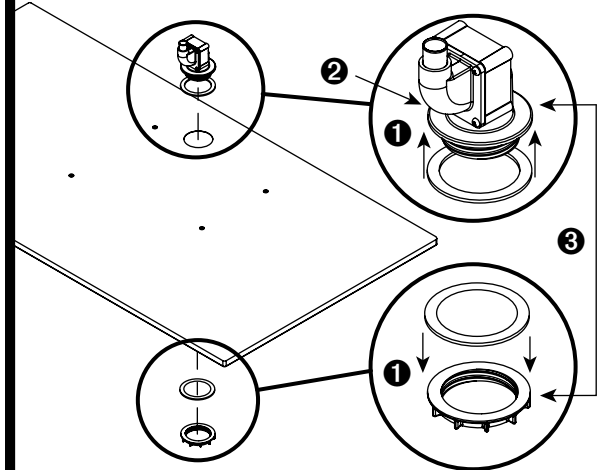


3.1 Bin top preparation

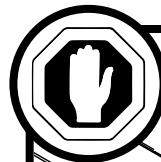


- Remove protective tape from gaskets

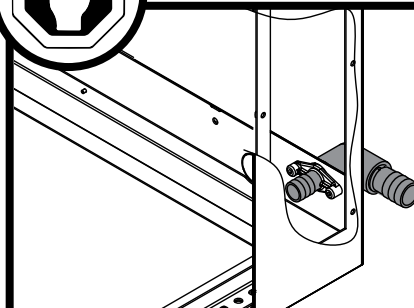
3.2 Bin top preparation



- Apply gaskets ①
- Install shuttle actuator ② through bin top and secure with locking nut ③



BEFORE PROCEEDING

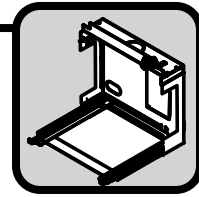


Prior to installing the docking assembly, ensure that the drain fitting is oriented (right or left) correctly for your installation. An optional straight drain fitting is also supplied. You may need to remove the back panel of the docking assembly in order to re-orient or change the drain fitting. Replace back panel prior to mounting the docking assembly.

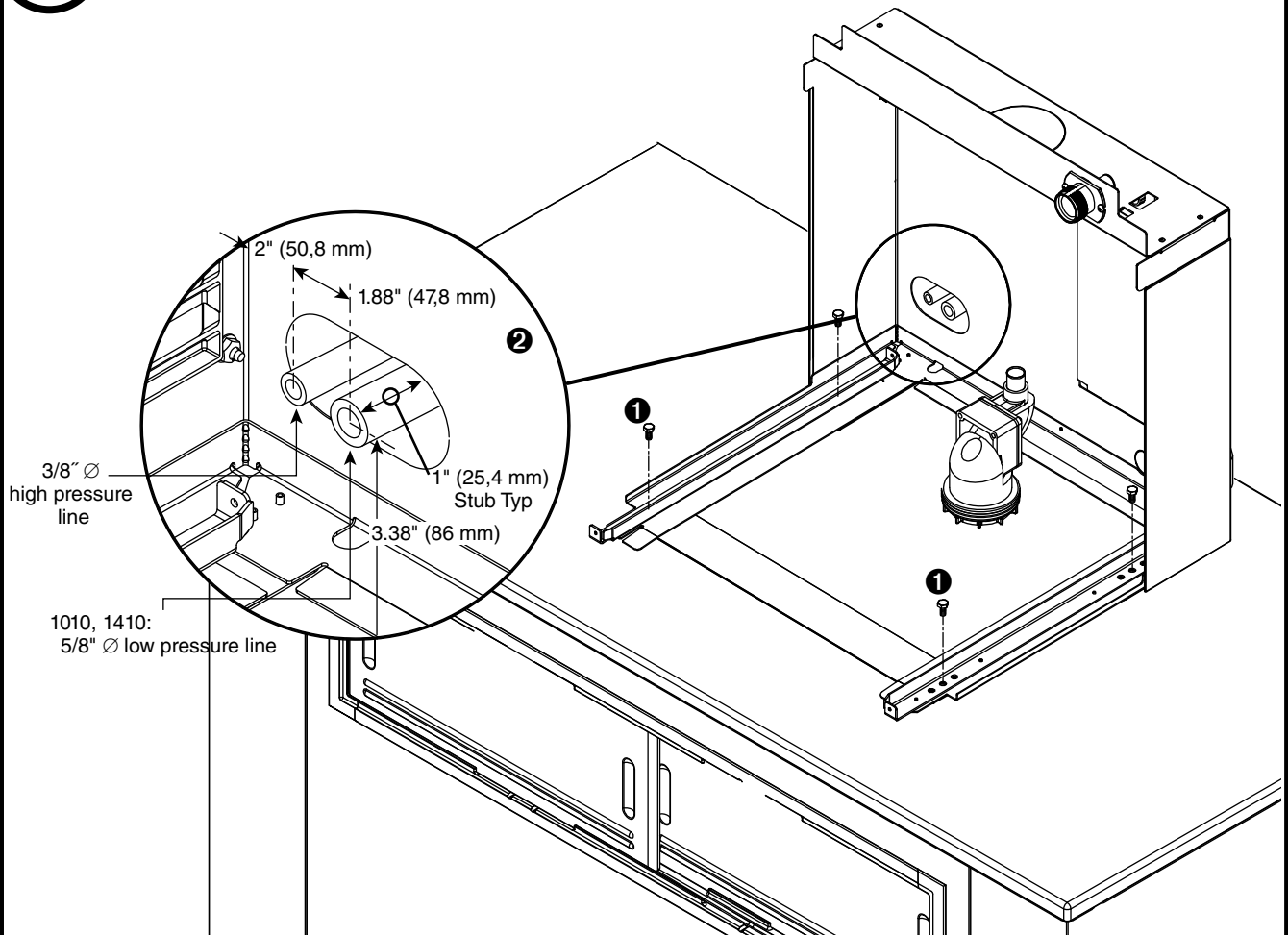
Install the docking assembly.

Docking assembly

4



4.1 Docking assembly



- Mount docking assembly ①
- "Rough-in" the refrigerant piping ②

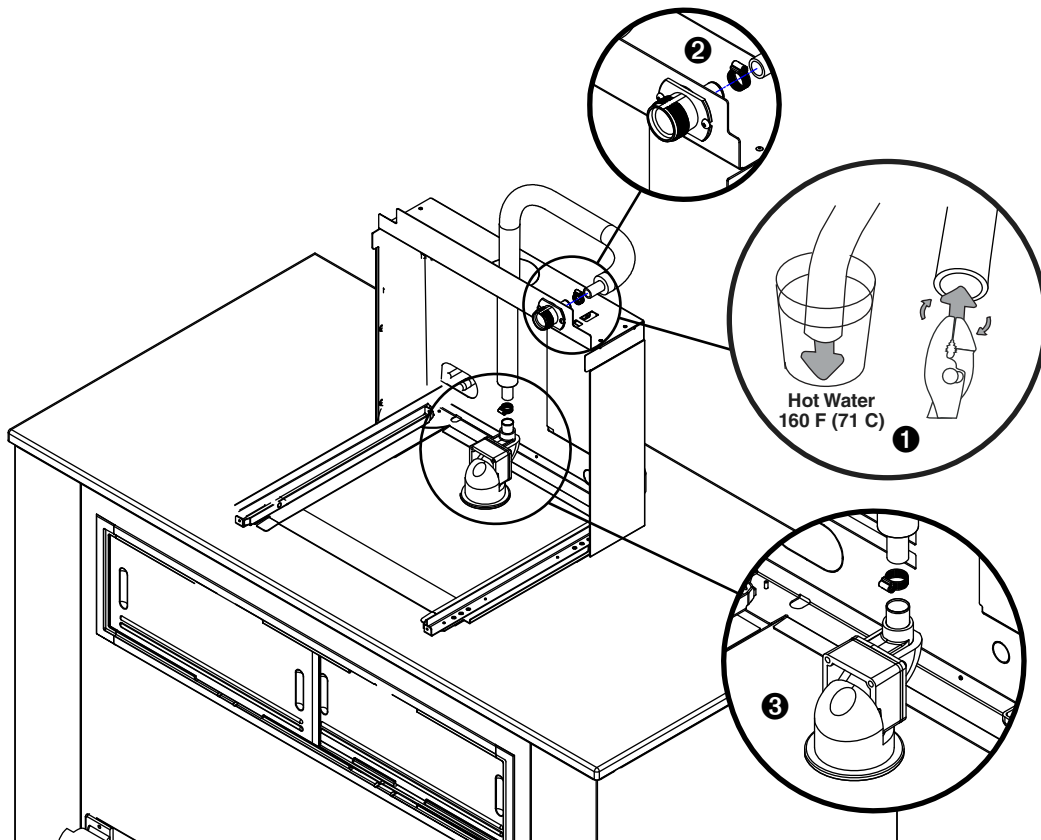
Install the ice transport tube.

Ice transport tube

5

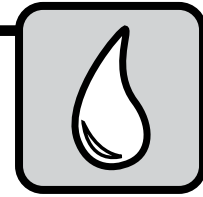


5.1

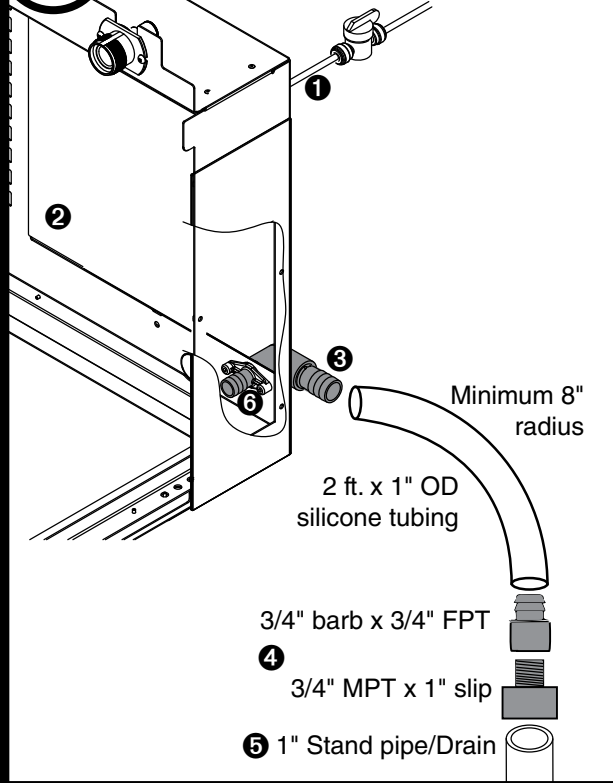


- Slide insulation onto ice transport tube
- Heat end of transport tube in cup of 160 F (71 C) hot water to soften and spread with pliers ❶ before making connection to ease assembly
- Connect ice transport tube to coupling on docking station ❷
- Connect ice transport tube to shuttle actuator ❸

Connect utilities to docking assembly.

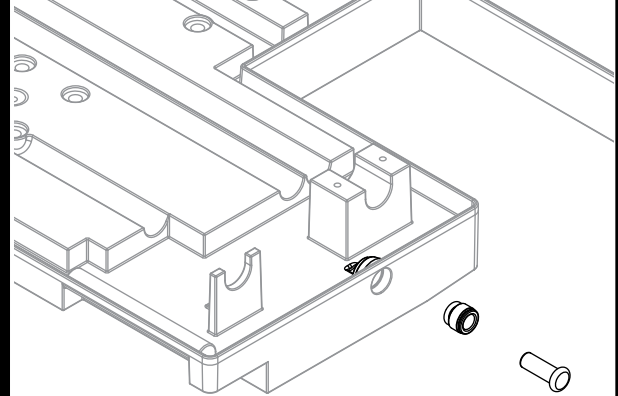


6.1 Water and flush drain



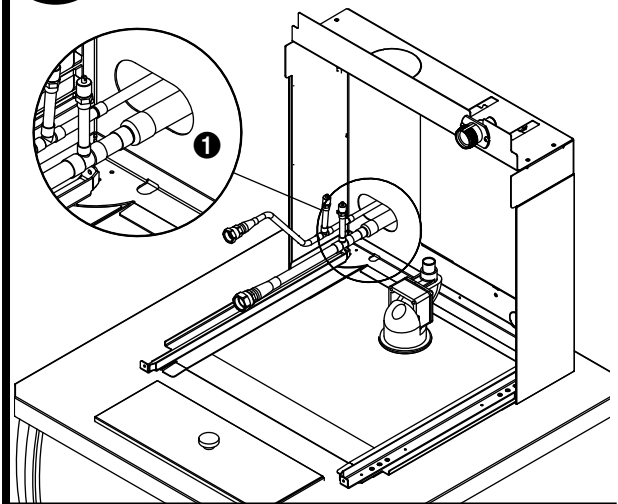
- Rough-in ice machine potable water supply ①. 3/8" push-in connection will be made at included shut-off valve then at back of docking station into solenoid.
 - Remove access panel if necessary ②.
 - Connect the silicone tubing to the ice machine 3/4" drain barb ③.
 - Assemble the 3/4" barb x 3/4" FPT to the 3/4" MPT x 1" slip. Connect the other end of the silicone tubing to the 3/4" barb ④.
 - Connect the 1" slip fitting to the 1" stand pipe/drain ⑤.
- Note:** Minimum 8" radius on silicone drain line. Drain line from the ice machine must have at least 1/4" per foot pitch (6,4 mm/0,3 m).
- Apply Petrol-gel to barbed drain fitting ⑥
 - Replace access panel.

Chassis drain plumbing - required



- Plug must be removed from John Guest fitting.
- Route 3/8" drain tubing through knockout in back of docking station and insert fully into John Guest fitting connection at the rear of the machine chassis. Route other end of 3/8" drain tubing to drain.
- Drain must slope 1/4" inch per foot (6 mm per 30,4 cm).

6.2 Refrigerant lines



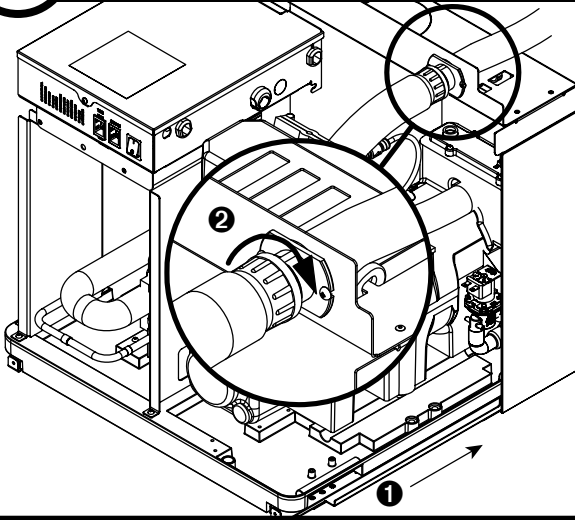
- Braze supplied quick-connect lines onto stub-ins ①.

Connect docking assembly to ice machine.

Internal connections **7**



7.1 Ice transport tube installation



- Slide ice machine into docking assembly ensuring that drain tube is fully seated on barbed drain fitting **1**
- Insert ice transport tube all the way into coupling and tighten nut firmly **2**

7.2 Water solenoid, shut-off valve, and potable water line options

If water solenoid is already mounted to evaporator:

- Insert potable water line into shut-off valve.

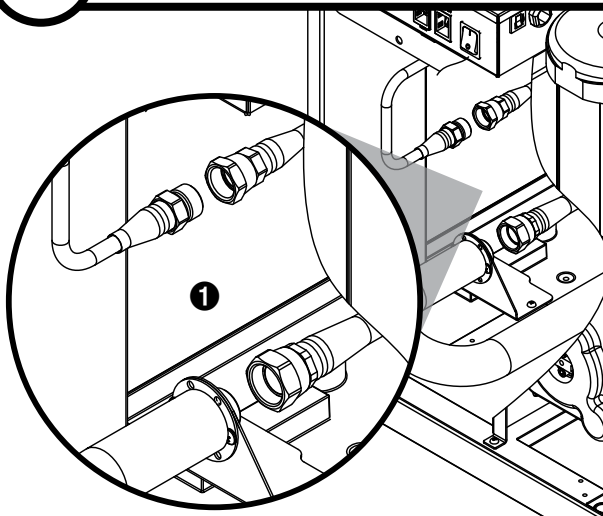
If this is an undercounter installation:

- Mount water solenoid atop evaporator and locate the shut-off valve inside the machine. Insert potable water line into shut-off valve.

If water solenoid is not mounted and machine will not be installed under-counter:

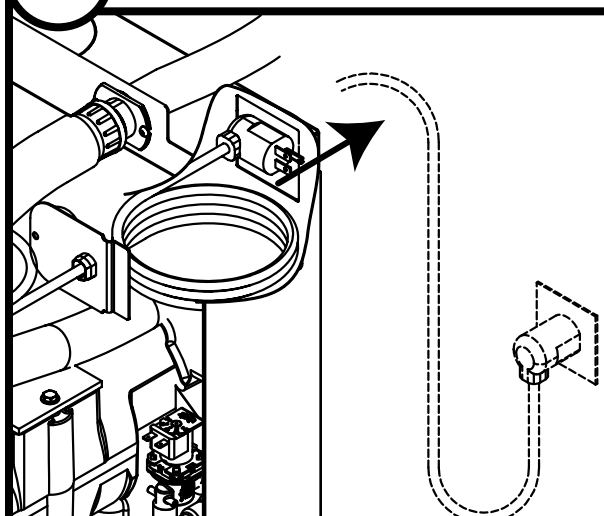
- Mount water solenoid to *inside* rear (upper right corner) of docking assembly using one screw.
- Insert potable water line into shut-off valve - locate the shut-off valve *outside* the machine.
- Insert outgoing line from shut-off valve into push-in connection of water solenoid.

7.3 Refrigeration lines



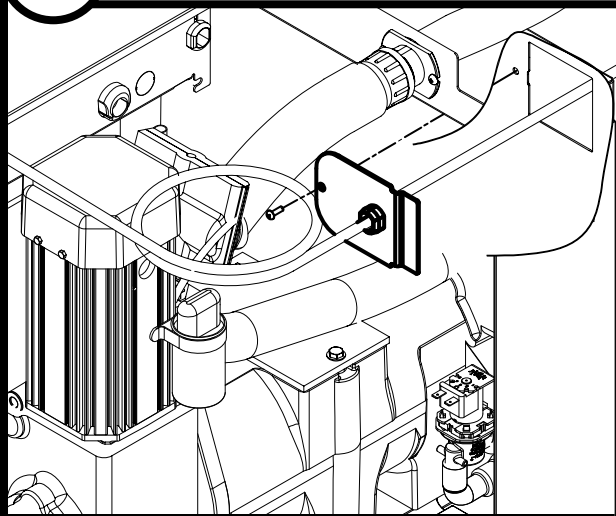
- Evacuate line set.
- Connect self-sealing liquid and suction line fittings **1**

7.4 Power cord



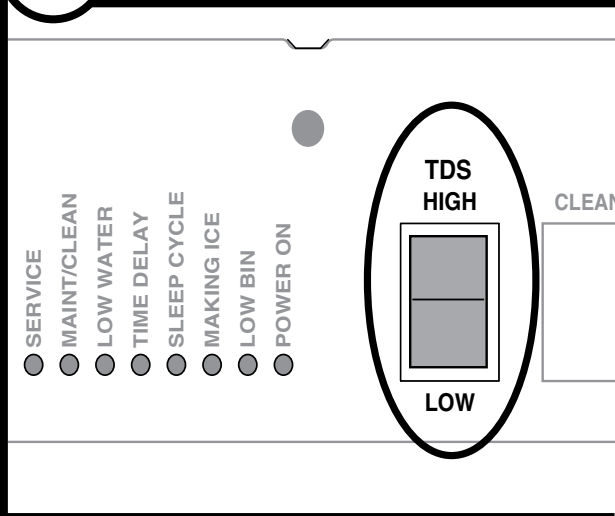
- Remove twist tie
- Carefully pass cord through opening and plug into wall outlet

7.5 Power cord



- Position plate into opening and secure with supplied screw

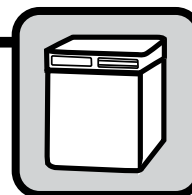
7.6 TDS switch



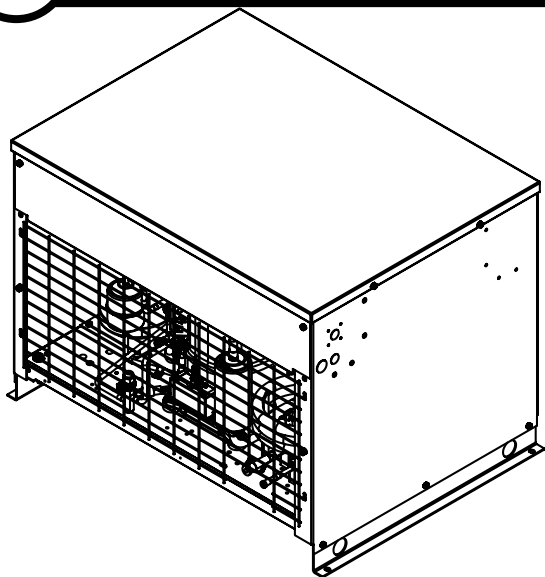
- Set the TDS switch on the electrical box:
HIGH: for extended service life
LOW: for low-scale water

Install front cover to ice machine.

Front cover **8**

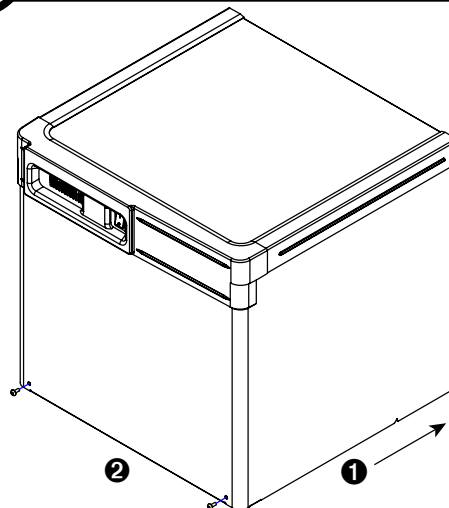


8.1 Install condensing unit



- Complete installation of condensing unit or connection to rack system.
- Required rack system capacity at 0 F (-18 C) evaporator (EPR supplied by installer).
1010N: 7,700 Btu/hr (1940 kcal/hr)
1410N: 10,000 Btu/hr (2519 kcal/hr)

8.2 Install ice machine front cover



- Slide ice machine cover over machine **1**
- Insert and tighten two screws through cover and into docking assembly **2**

NOTICE

Ice machine MUST be sanitized prior to operation!

Consult Operation and Service Manual provided with ice machine for sanitizing instructions.

Maestro, Micro Chewblet, Vision, Harmony, Ice Manager, Horizon, Horizon Elite are trademarks of Follett Products LLC. Chewblet, RIDE, Follett are registered trademarks of Follett Products LLC.



801 Church Lane • Easton, PA 18040, USA
Toll free (877) 612-5086 • +1 (610) 252-7301
www.follettice.com

01113315R04
© Follett Products LLC 2/22