

Undercounter Ice and Water Dispenser with Chewblet[®] Ice Icemaker 7UC100A, 7UD100A

Installation, Operation and Service Manual
Serial numbers D25455 to E01086



7UC100A



7UD100A

**Following installation, please forward this manual
to the appropriate operations person.**

Contents

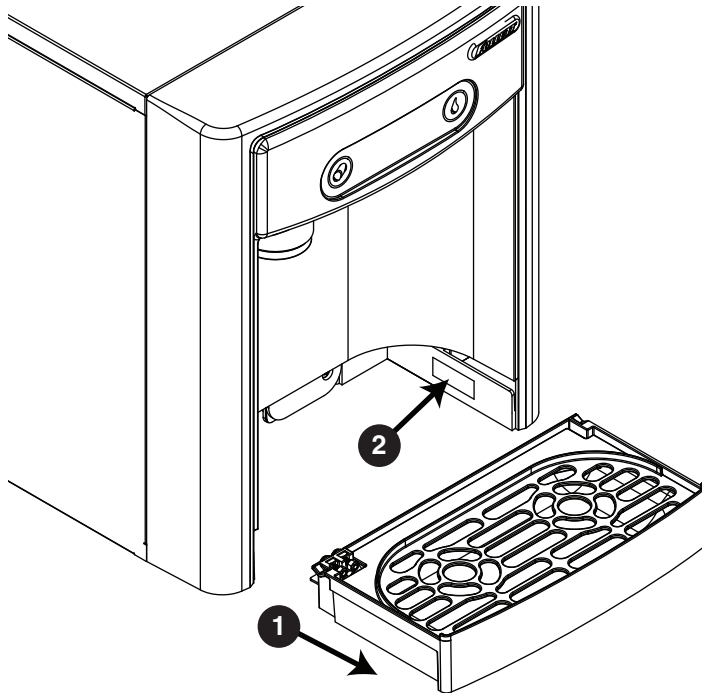
Welcome	3
Before You Begin	3
Important Safety Information	3
Specifications	4
Dimensions	4
Ambient Information	4
Plumbing	4
Water	4
Clearances	4
Electrical	4
Refrigeration	4
Heat Rejection	4
Detailed Drawing	5
Installation	6
Maintenance/Cleaning Mode	8
Accessing Internal Components	8
Filter Display Indicator Activation	9
Cleaning and Sanitizing	10
Service	11
LED Indicator Description	11
Water Feed Schematic	12
Bin Melt Water/Evaporator Feed/Clean Out System Schematic	13
Vent System Schematic	13
Refrigeration Schematic	14
Condenser Fan Motor Removal	15
User Interface Display Identification	16
Electrical Wiring Diagram	17
Parts	18
Exterior	18
Interior	20
Bin Assembly	22
Evaporator Assembly	24

Welcome

Follett equipment enjoys a well-deserved reputation for excellent performance, long-term reliability, and outstanding after-the-sale support. To ensure that this product delivers that same degree of service, we ask that you take a moment to review this manual before beginning the installation. Should you have any questions or require technical help at any point, please call our technical service group at (877) 612-5086 or +1 (610) 252-7301.

Before You Begin

After uncrating and removing all packing material, inspect the equipment for concealed shipping damage. If damage is found, immediately notify the shipper and contact Follett Corporation so that we can help in the filing of a claim, if necessary. If needed, the serial number of your dispenser can be found by removing the drip tray (1) and locating the serial number label (2).



Check your paperwork to verify that you received the correct dispenser. Follett configuration numbers are designed to provide information about the type of dispenser you are receiving. The following is an explanation of the different model numbers.

Dispenser Storage Capacity	Configuration	Icemaker Capacity	Condenser
7 lb	UC Undercounter UD Undercounter - ADA	100 lb per day	A Air-cooled

Important Safety Information

Please read and adhere to the following safety information while installing, using, or servicing your Follett 7 Series Ice Dispenser.

1. Always disconnect power before servicing the dispenser.
2. Ice is slippery. Maintain counters and floors around dispenser in a clean and ice-free condition.
3. Ice is food. Follow the recommended cleaning and sanitizing instructions to maintain cleanliness of delivered ice.

Specifications

Dimensions

	7UC100A	7UD100A
Width	14.55" (370 mm)	14.55" (370 mm)
Depth	22.05" (560 mm)	22.05" (560 mm)
Height	33.50" (851 mm)	31.50" (800 mm)
Unit Shipping Weight	110 lb (50 kg)	110 lb (50 kg)

Ambient Information



CAUTION!

The 7UC100A and 7UD100A are for indoor use only.

	Maximum*	Minimum*
Air Temperature†	100 F (38 C)	50 F (10 C)
Water Temperature	90 F (32.2 C)	40 F (4.5 C)
Water Pressure	70 psi	10 psi
Relative Humidity	55% at 78 F (25.5 C)	

* Use outside of these limitations is misuse and will void warranty.
† Best performance is achieved between 80 F (27 C) and 50 F (10 C).

Plumbing

- Water Inlet: 1/4" MPT
- Optional Drain Accessory Kit (item# 00956375 or 00981977): 1/2" ID tubing
- Water shut-off recommended within 5 ft. (1.5 m) of dispenser

Water



WARNING!

Connect to potable water supply only.

- Water Mineral Content:
 - TDS: greater than 5 ppm (mg/l) but less than 400 ppm (mg/l)
 - Hardness: Less than 200 mg/l (12 gpg)
- Not recommended for use with softened water

Clearances

- 3" (77 mm) behind dispenser for electrical and optional drain connection.
- 6" (153 mm) in front of dispenser for ventilation.

Electrical

- 115V, 60 Hz, 1 phase, 5A, maximum fuse 15A
- Connect to dedicated 15A circuit, fuse or breaker
- Must be grounded - requires 3-prong outlet. Do not remove ground.

Refrigeration



WARNING!

Do not damage the refrigerant circuit. Refrigerant can cause personal injury and/or damage dispenser.

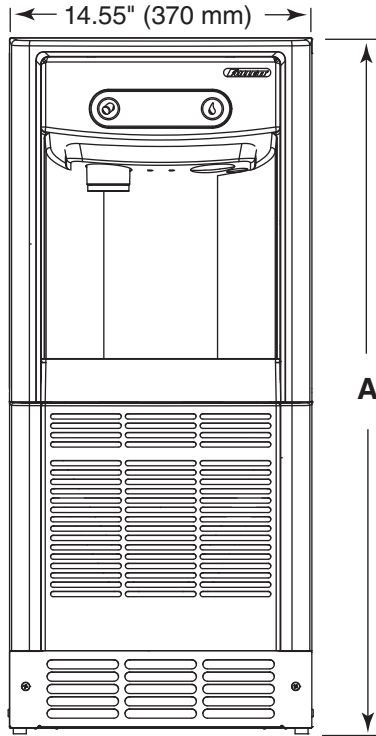
- Refrigerant R134a – 204 grams (7.2 oz.)

Heat Rejection

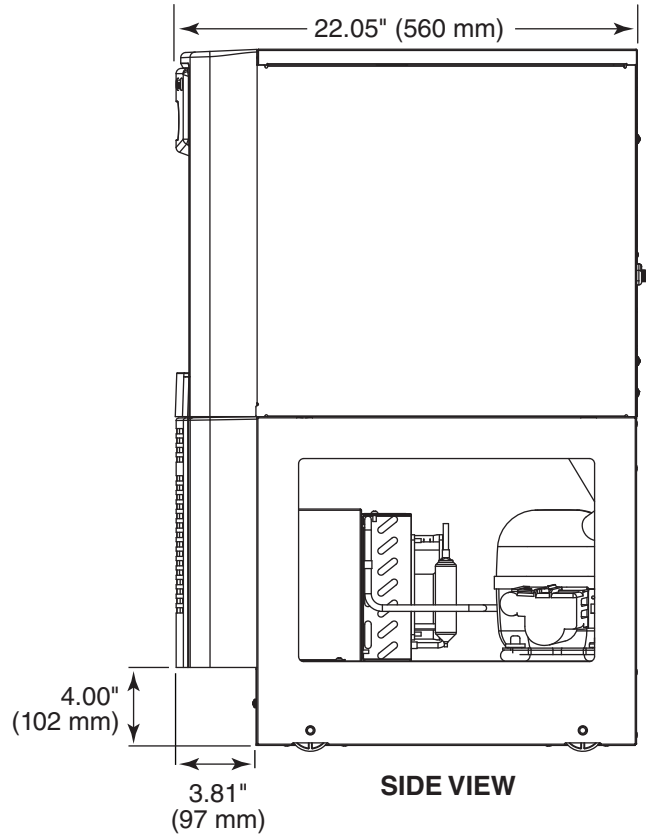
- 1700 BTU/hr (498 W)

Specifications (continued)

Detailed Drawing

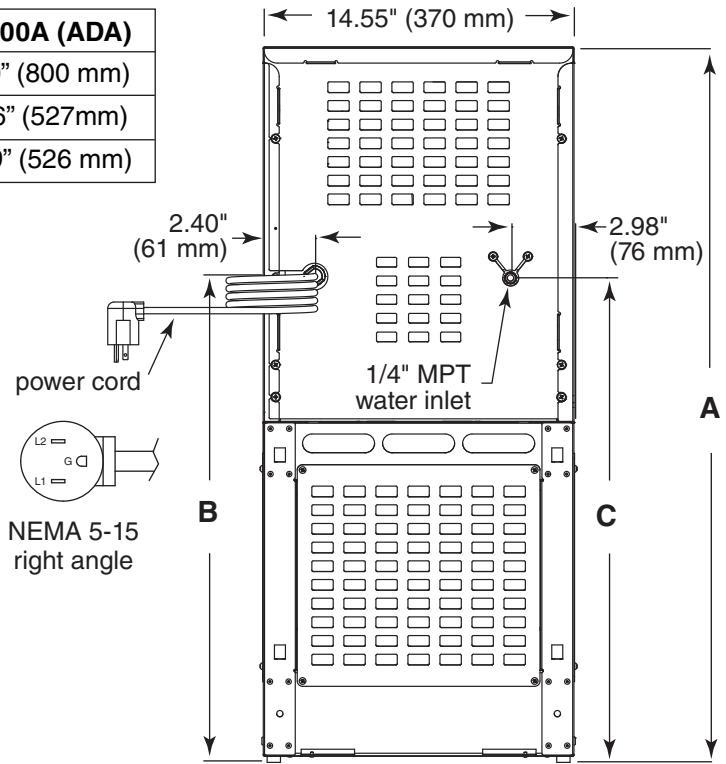


FRONT VIEW



SIDE VIEW

Dimension	7UC100A	7UD100A (ADA)
A	33.50" (851 mm)	31.50" (800 mm)
B	22.76" (578 mm)	20.76" (527 mm)
C	22.69" (576 mm)	20.69" (526 mm)



BACK VIEW

Installation

CAUTION!

No service or maintenance should be performed until the technician has thoroughly read this service manual. Except for routine cleaning and sanitizing, only qualified technicians should attempt to service or maintain this equipment.

1. Measure to verify that the dispenser will fit in the desired location. A clearance of at least 3" (77 mm) is required behind the dispenser for the electrical and optional drain connection.
2. Ensure that the finished floor inside the cabinet is flush (level) with the floor outside the cabinet (**Fig. 1**). If the cabinet floor is lower than the finished floor, the cabinet floor must be built up (using appropriate materials) until it is flush with the finished floor. A flush floor is required for proper operation and maintenance/service of the dispenser.
3. Rough-in the electrical service, water line, and optional Drip Tray Drain Kit*.

Note: The dispenser must be installed such that it can be moved forward at least 4" (102 mm) to allow access to the Bin Lid Cleaning Spout (**Fig. 9.6**) for dispenser cleaning and sanitizing. Take this requirement into consideration during rough-in.

- Electrical: 115V, single phase, 15A receptacle required. The dispenser has an integral 8 ft. (2.4 m) cord and plug.
- Water: supply line (with shut-off valve) connects to the dispenser's 1/4" MPT inlet.

* The optional Drip Tray Drain Kit (item# 00956375) requires a floor drain within 15 ft. (4.5 m) of the dispenser. For detailed installation instructions, please refer to the instructions shipped with the Drip Tray Drain Kit.

4. Install the angle bracket inside the cabinet, 18.15" (461 mm) from the toe kick (**Fig. 2.1**). The bracket prevents the dispenser from being located/pushed beyond the recommended cabinet space depth. **Do not attach the bracket to the dispenser.**

Fig. 1

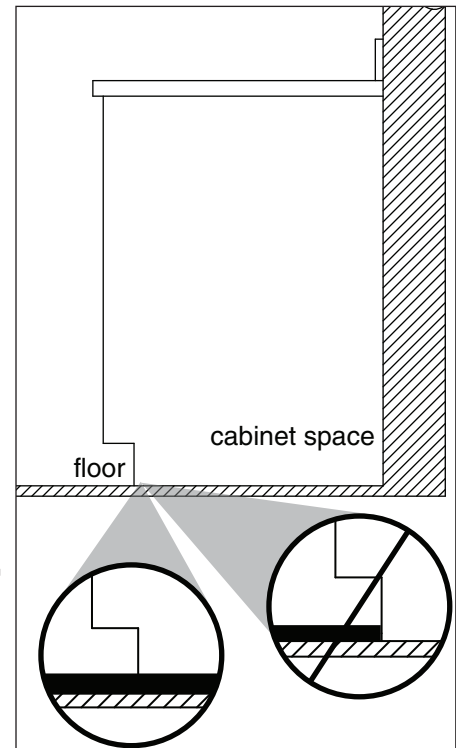
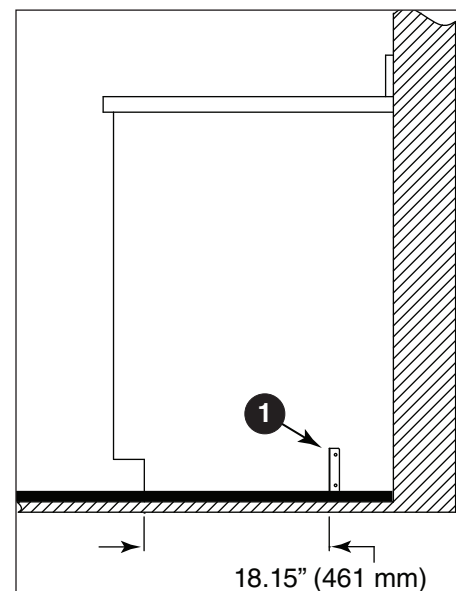


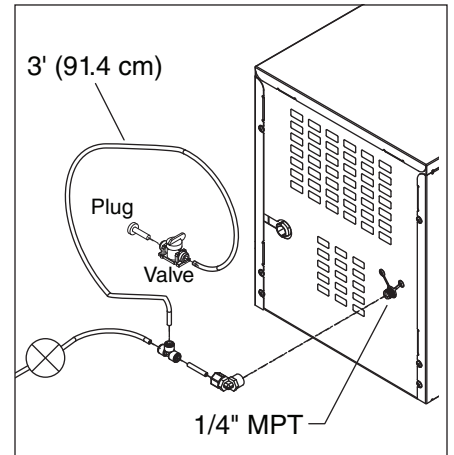
Fig. 2



Installation (continued)

5. Connect water line. Recommended routing (**Fig. 3**) allows easy access to water for cleaning and sanitizing procedure.

Fig. 3

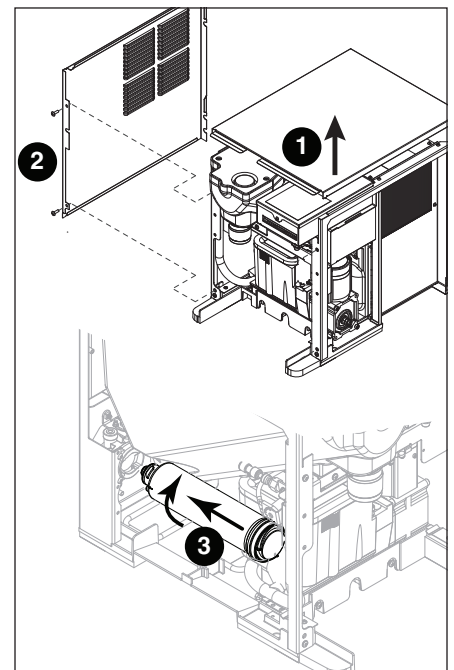


6. If installing the optional internal water filter*, please complete the steps shown in [Accessing Internal Components on page 11](#) before proceeding. If not, proceed to step 10.

* If your dispenser has the internal water filter option, the water filter *must* be installed for the dispenser to operate. Because internal components will need to be accessed for both procedures, Follett recommends installing the water filter just prior to initial sanitizing.

7. Lift and remove the top panel, set aside (**Fig. 4.1**).
8. Remove two screws (**Fig. 4.2**) and remove left side panel.
9. Install filter as shown. Turn filter clockwise until it is fully seated (**Fig. 4.3**).
10. Connect power supply.
11. Sanitize the dispenser prior to use (see [Cleaning and Sanitizing on page 10](#)).

Fig. 4



Maintenance/Cleaning Mode



Cleaning Mode (Dispensing Disabled) - Use when cleaning surface

Entering Cleaning Mode disables the User Interface and allows you to clean the outside of the dispenser without accidentally dispensing water or ice.

1. To enter Cleaning Mode, press and immediately release the maintenance/clean switch (**Fig. 5.1**) so that only "FRESH FILTERED ICE AND WATER" displays in the user interface (**Fig. 5.2**).
2. To exit Cleaning Mode, press and immediately release the maintenance/clean switch so that the ice and water icons also display in the user interface.

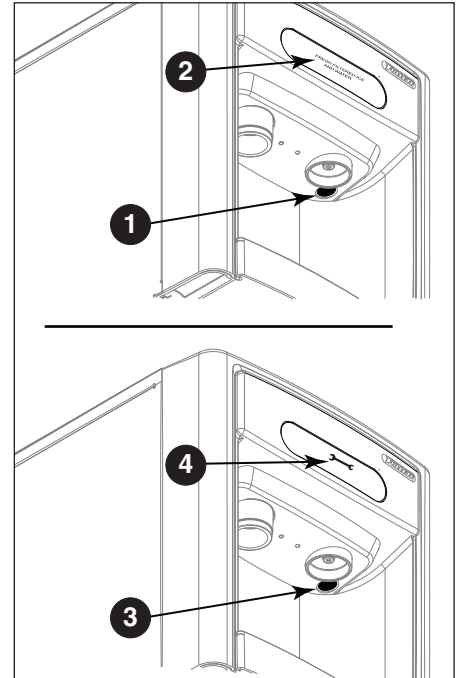
Maintenance Mode (All Operation Disabled) - Use when cleaning ice machine

Entering Maintenance Mode disables all operations and allows you to safely clean and/or sanitize the icemaker and dispenser.

1. To enter Maintenance Mode, press and hold the maintenance/clean switch (**Fig. 5.3**) until  displays in the user interface (**Fig. 5.4**).
2. To exit Maintenance Mode, press and hold the maintenance/clean switch until  no longer displays in the user interface.

Note: Entering and exiting Maintenance Mode will reset the six-month periodic maintenance reminder.

Fig. 5



Accessing Internal Components



CAUTION!

Except for routine cleaning and sanitizing, only qualified technicians should attempt to service or maintain this equipment.


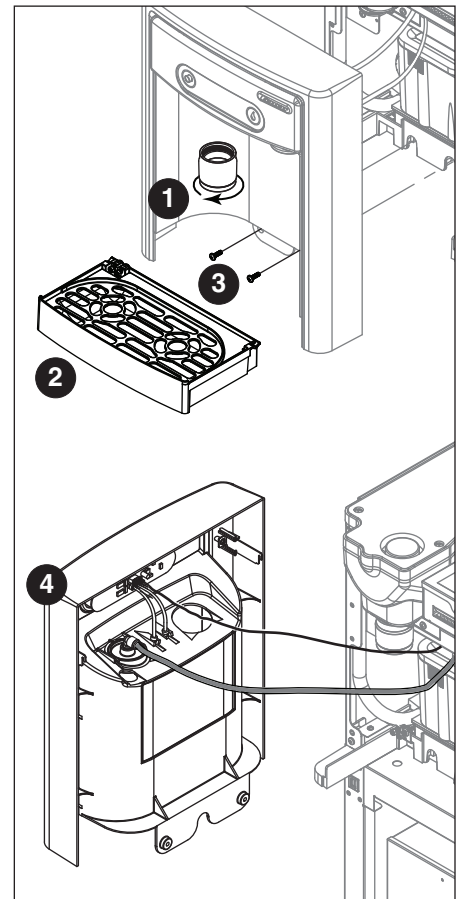
1. Press and hold the maintenance/clean switch (**Fig. 5.1**) until  displays in the user interface (**Fig. 5.2**).
2. Remove (unscrew) chrome ice dispenser chute (**Fig. 6.1**).
3. Remove the drip tray (**Fig. 6.2**).
4. Remove the two screws (**Fig. 6.3**) on the front panel (behind the drip tray).
5. Remove and set aside the front panel (**Fig. 6.4**) - **do not disengage the plug on the back of the User Interface or the tubing at the water dispenser chute (if so equipped).**

Fig. 6



Filter Display Indicator Activation

If you purchased your dispenser with a Follett filter, the filter display indicator activation has been preset at the factory.

If you are using an “after market filter,” an adjustment may be made to activate the “Fresh Filtered Ice & Water” display.

Activating “Fresh Filtered Ice & Water”

1. Remove the front panel as explained in [Accessing Internal Components on page 8](#) then refer to **Fig. 7**.
2. Remove top panel (**Fig. 7.1**).
3. Remove (1) screw and top of control board enclosure (**Fig. 7.2**).
4. Locate the DIP switches on the dispenser's control board (**Fig. 8**). Use a fine-pointed object to move the “Filter” DIP switch (DIP switch #3) to the ON position.

Deactivating the Six-Month Maintenance/Filter Change Reminder

1. Use a fine-pointed object to move the “PM” DIP switch (DIP switch #8) to the ON position.

Fig. 7

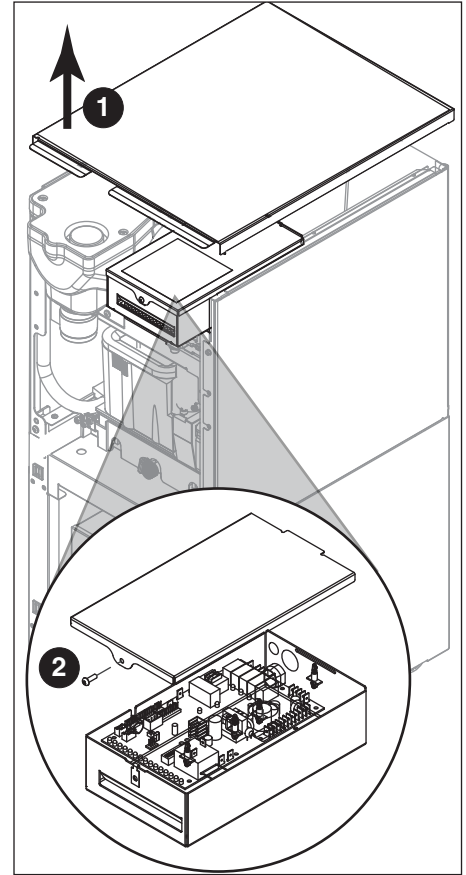
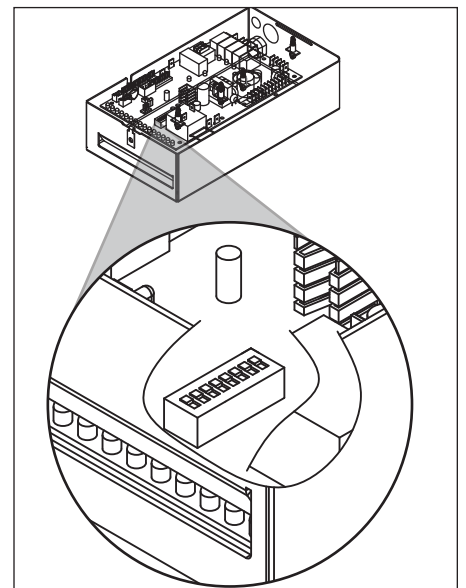


Fig. 8



	OFF	ON	
Not used (OFF position)	<input type="checkbox"/>	<input checked="" type="checkbox"/>	1
Ice only	<input type="checkbox"/>	<input checked="" type="checkbox"/>	2
No internal filter	<input type="checkbox"/>	<input checked="" type="checkbox"/>	3
Not used (OFF position)	<input type="checkbox"/>	<input checked="" type="checkbox"/>	4
Not used (OFF position)	<input type="checkbox"/>	<input checked="" type="checkbox"/>	5
15 minute delay	<input type="checkbox"/>	<input checked="" type="checkbox"/>	6
Not used (OFF position)	<input type="checkbox"/>	<input checked="" type="checkbox"/>	7
Six-month PM enabled	<input type="checkbox"/>	<input checked="" type="checkbox"/>	8

Ice & water
Internal filter supplied or to display "Fresh Filtered"
30 minute delay
Six-month PM disabled

Cleaning and Sanitizing

Cleaning and sanitizing should be performed at least every 6 months (more often if local water conditions dictate). For initial startup, only sanitizing is required.

IMPORTANT! Prior to cleaning and sanitizing, the dispenser must be moved forward at least 4" (102 mm). Do not remove the Bin Lid, cleaning and sanitizing solution is added through the Bin Lid Access Spout (**Fig. 9.6**).




WARNING!

- Place the dispenser in Maintenance Mode prior to servicing or cleaning the ice machine. See [Maintenance/Cleaning Mode on page 8](#).
- For protection, rubber gloves and safety goggles (and/or face shield) should be worn when handling Cleaner or Sanitizer.
- Do not mix Cleaner and Sanitizer together. It is a violation of federal law to use these solutions in a manner inconsistent with their labeling.
- Do not use bleach, it will damage the dispenser.

Required Supplies

- (3) x 7 oz. SafeCLEAN™ environmentally-friendly icemaker cleaner packets
- Nu-Calgon IMS-II sanitizing concentrate
- Funnel and Bucket

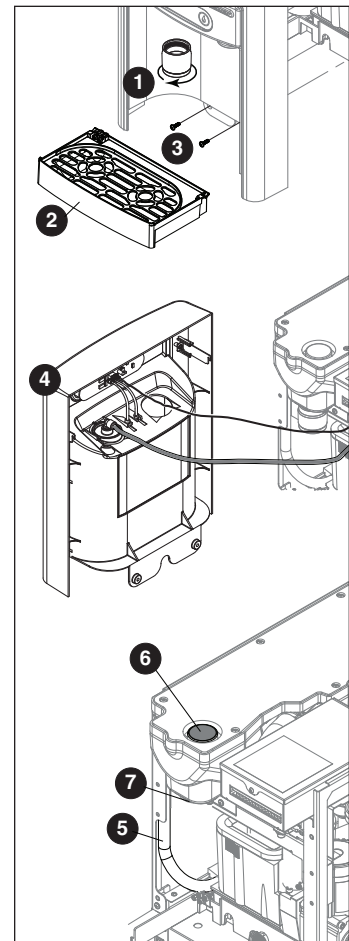
Cleaning: Icemaker and Dispenser

1. Dispense all the ice out of the unit.
2. Press and hold maintenance/clean switch until  displays in the user interface to enter Maintenance Mode.
3. Remove (unscrew) chrome ice dispense chute (**Fig. 9.1**).
4. Remove drip tray (**Fig. 9.2**).
5. Remove (2) screws located behind the drip tray (**Fig. 9.3**).
6. Move front panel and place on top or beside unit (**Fig. 9.4**).
7. Remove plug cap from the end of drain tube (**Fig. 9.5**) 9 lower tube to drain water into bucket.
8. After the system has been drained of water replace plug cap in drain tube. Secure tube in holder.
9. Remove cap from bin lid cover (**Fig. 9.6**).
10. Screw bin lid cover cap onto ice discharge chute (**Fig. 9.7**).
11. Mix SafeCLEAN Ice Machine Cleaner, (3) x 7 oz. packets, with 3 gal. (11.4 L) of water.
12. Pour cleaning solution into bin lid access spout until solution reaches the spout neck.
13. Allow the solution to remain in unit for 15 minutes.
14. While machine is cleaning, remove top and right side panel to access and clean air-cooled condenser.
15. Drain system by lowering drain tube into bucket.
16. Secure drain tube into holder.
17. Fill one time with potable water and drain with tube. Secure drain tube.

Sanitizing: Icemaker and Dispenser

1. Complete steps 1-11 above.
2. Mix a sanitizing solution of 2.5 gal. (9.5 L) of water and 4 oz. (118 ml) of Nu-Calgon IMS-II sanitizing concentrate.
3. Pour sanitizing solution into bin lid access spout until solution reaches the spout neck.
4. Allow the solution to remain in unit for 5 minutes.
5. Drain system by lowering drain tube.
6. Secure drain tube into holder.
7. Fill and drain three times with potable water.
8. Place a bucket under the dispense chute and remove cap. **Note:** Some sanitizing solution will remain and drain out when cap is removed. Reposition cap on bin lid spout.
9. Reinstall front panel, ice dispense chute, and drip tray.
10. Press and hold maintenance/clean switch to exit Maintenance Mode.

Fig. 9



Cleaning and Sanitizing (continued)

Cleaning: User Interface and Exterior Cabinet

1. Press and release maintenance/clean switch so that only "FRESH FILTERED ICE AND WATER" displays in the user interface to enter Cleaning Mode (and disable dispensing).
2. Plastic parts, including the user interface, can be cleaned with a non-abrasive glass cleaner. Clean stainless steel panels with stainless steel cleaner.
3. Press and release maintenance/clean switch to put unit back into service.

Service

LED Indicator Description

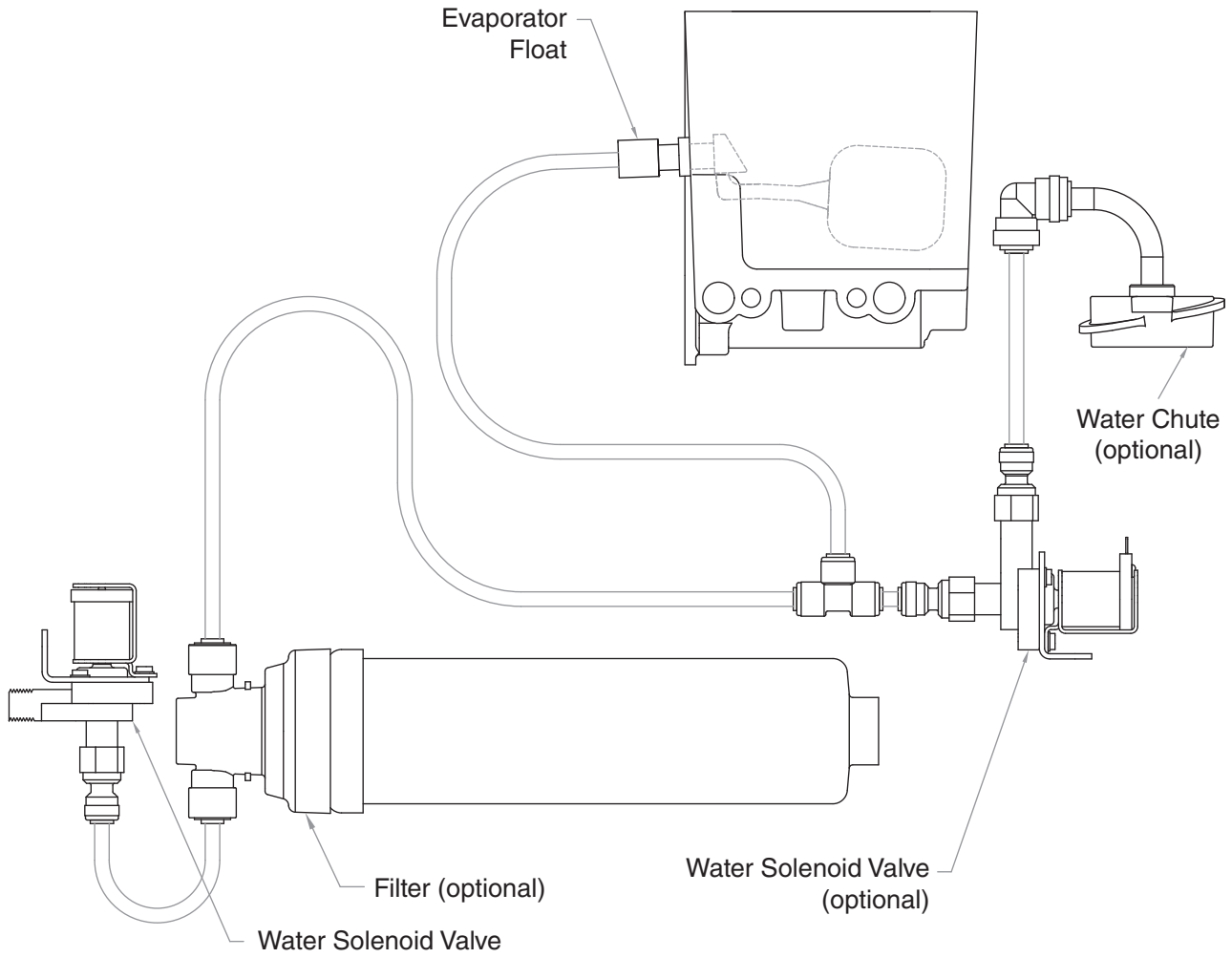
The LED Indicator is located behind the front panel.

Fig. 10

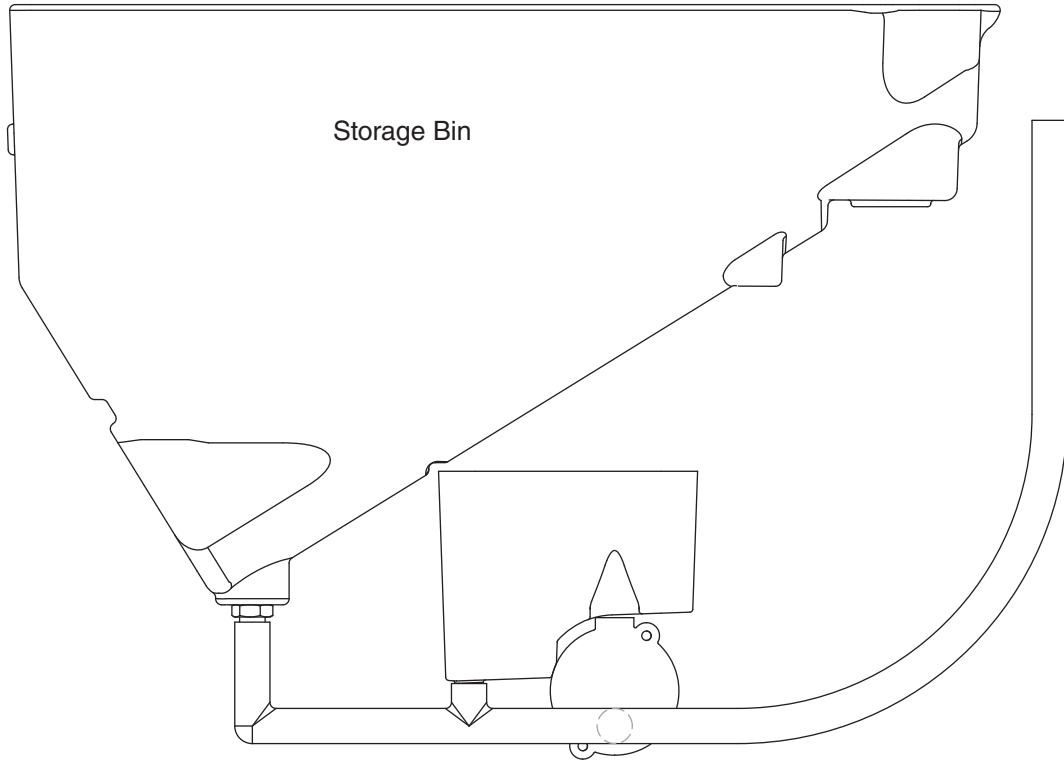


LED Name	LED Color	Description
Clean	Green	The dispenser is in Cleaning Mode. Dispenser is disabled to allow for cleaning of front panel. See Maintenance/Cleaning Mode on page 8 .
—	N/A	Not used.
PM	Red	Six-month periodic maintenance required.
Drip tray	Red	Drip tray full.
Water leak	Red	Internal leak in dispenser.
High amps	Red	Auger gearmotor has exceeded 0.55A. The HI amps and Time delay LEDs will illuminate, the machine will shut down for one hour, the LEDs will turn off, and the machine will resume normal operation.
Service	Red	8000 hour bushing check (call Follett technical service group at (877) 612-5086 or +1 (610) 252-7301).
Maintenance	Yellow	Enter Maintenance Mode by pressing and holding maintenance/clean switch for 5 seconds. Unit will not make or dispense ice.
Low water	Yellow	Insufficient water supply to machine or no low bin LED upon startup.
Time delay	Yellow	Ice production will not resume for at least 15 minutes after a full bin is achieved and a minimum amount of dispense activity has elapsed.
Sleep cycle	Green	After a full bin and 10 minutes of non-use, the unit goes into standby and will not produce ice until either 12 hours has elapsed or ice or water has dispensed.
Making ice	Green	Gearmotor, compressor, and fan motor energized.
Low bin	Green	Bin switch closed calling for ice.
Power on	Green	Power supplied to unit.

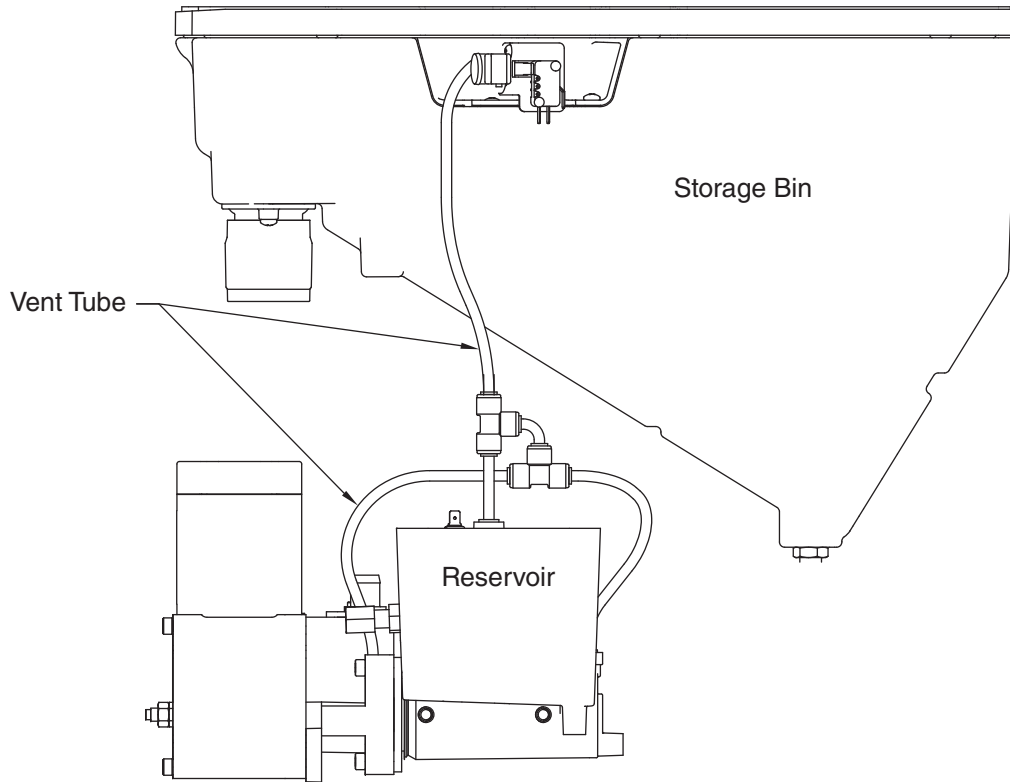
Water Feed Schematic



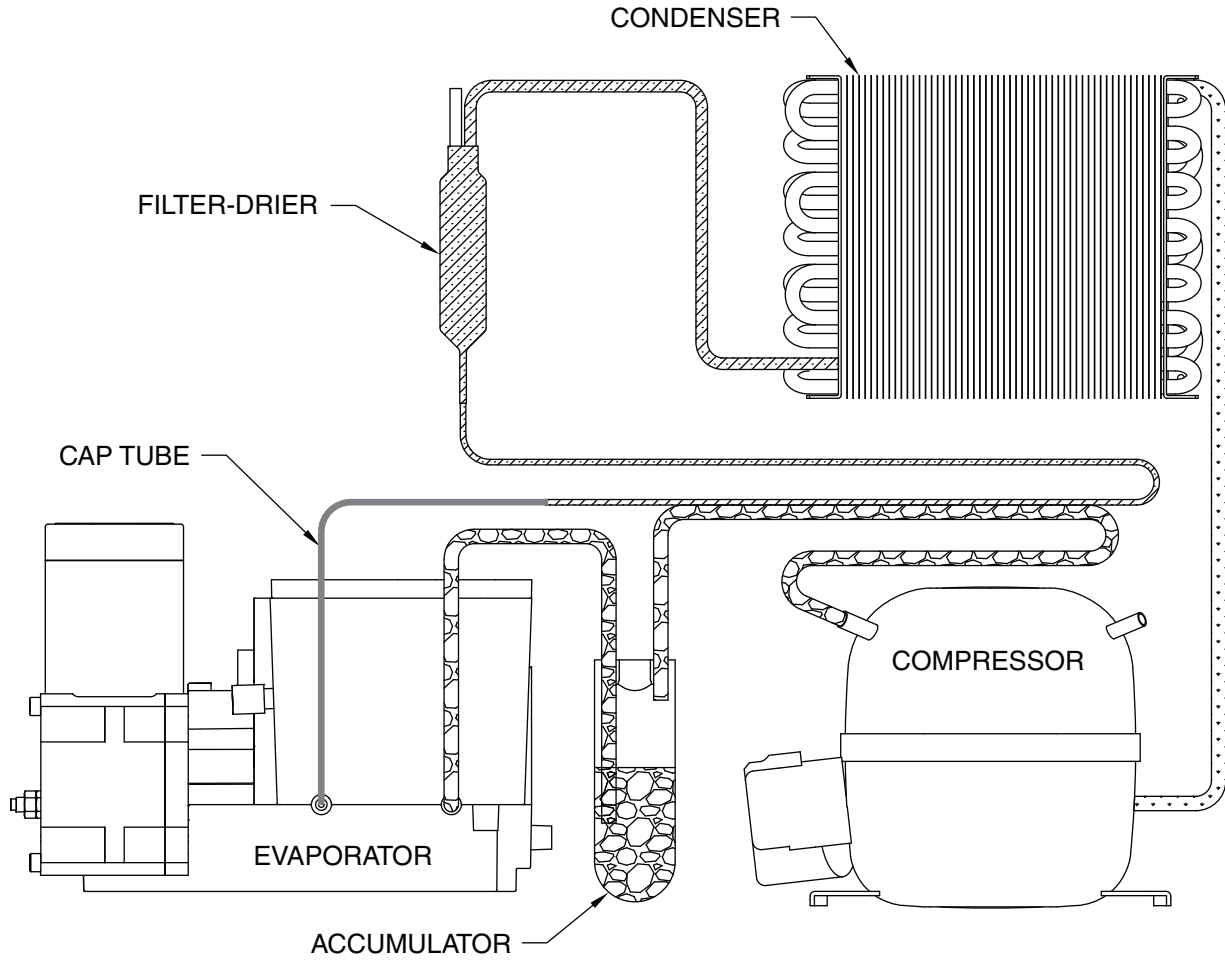
Bin Melt Water/Evaporator Feed/Clean Out System Schematic



Vent System Schematic



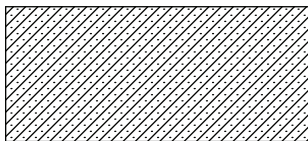
Refrigeration Schematic



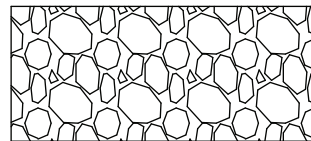
HIGH PRESSURE VAPOR



LOW PRESSURE LIQUID

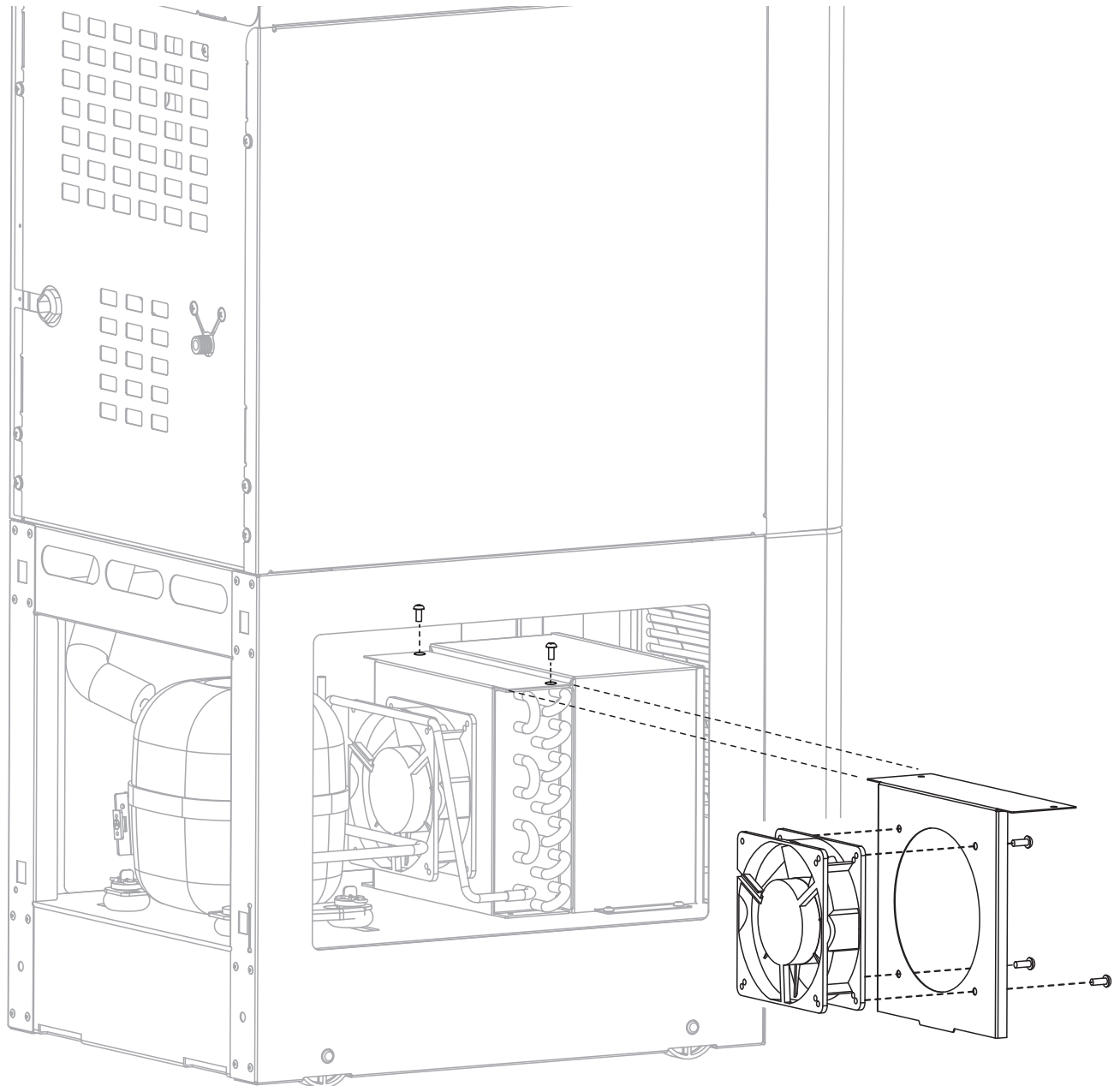


HIGH PRESSURE LIQUID




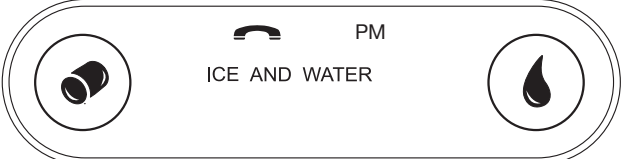
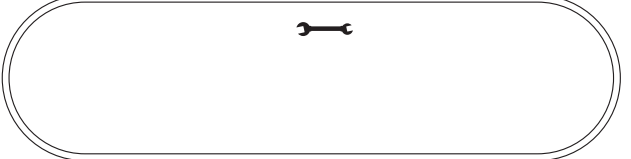


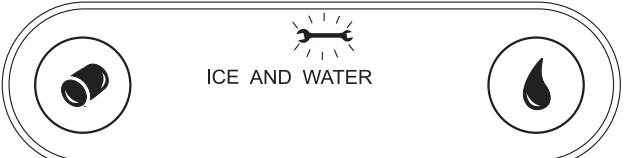





LOW PRESSURE VAPOR

Condenser Fan Motor Removal

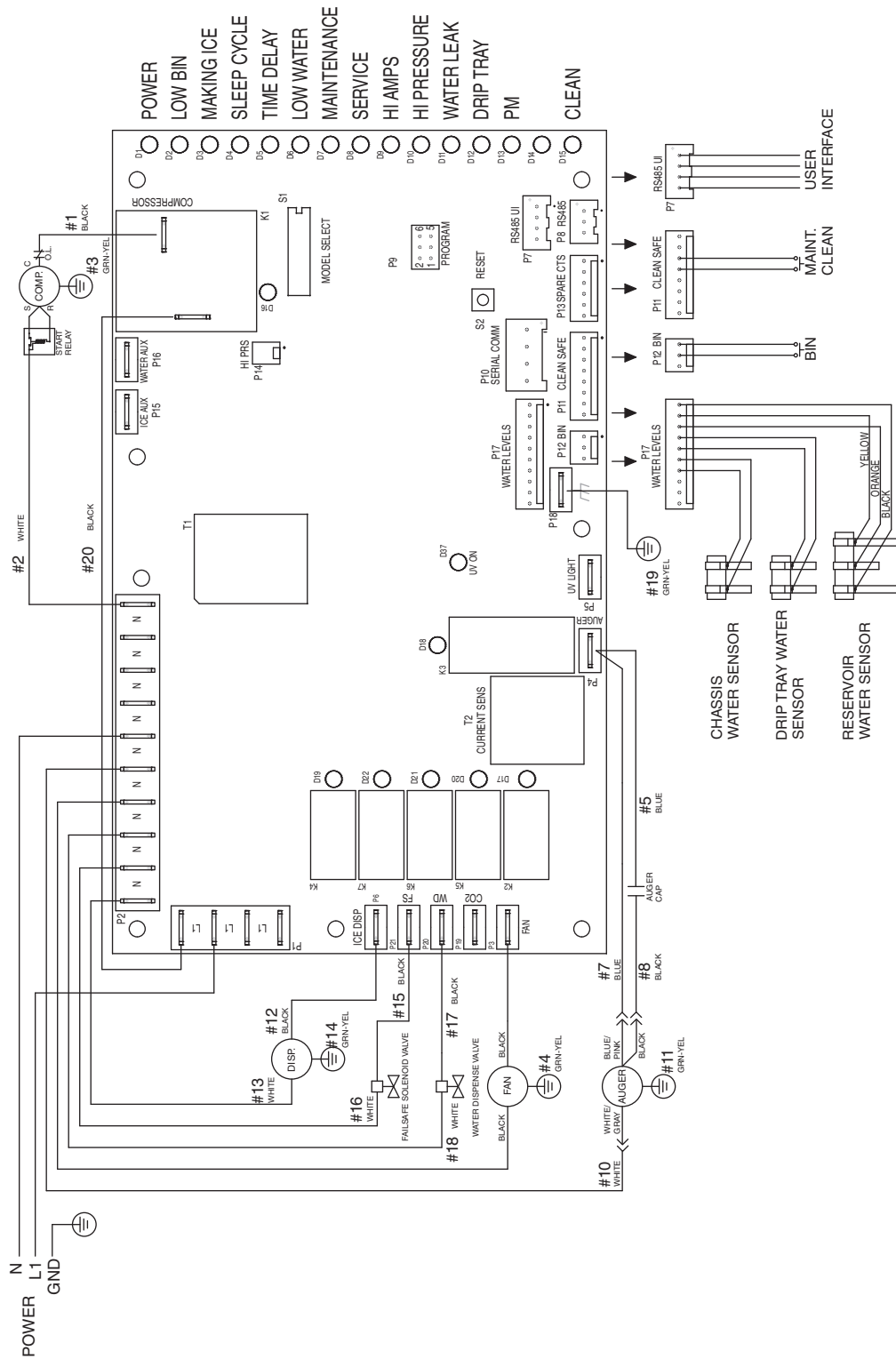


User Interface Display Identification

Operation Display	Condition	Procedure
	Normal operation	—
	Cleaning Mode	Press and release maintenance/clean switch to clean the user interface without dispensing ice or water (see Maintenance/Cleaning Mode on page 8).
	Drip tray full	Empty drip tray.
	Six-month periodic maintenance required	Follow Maintenance Mode procedure (below) and also see Cleaning and Sanitizing on page 10 .
	Maintenance Mode	Enter Maintenance Mode by pressing maintenance/clean switch until  displays. Complete the cleaning and sanitizing procedure shown on page 10 and change the filter, if so equipped. Exit Maintenance Mode by pressing and holding maintenance/clean switch until  no longer displays.
	Service - 8000 hr bushing check	Call Follett Technical Service Group at (877) 612-5086 or +1 (610) 252-7301. The flashing wrench indicates that the 8000 hr bushing check is required.
	High amps	Contact Follett technical service group at (877) 612-5086 or +1 (610) 252-7301. Note: For dispensers after serial number D45191, the phone and wrench will <i>not</i> be illuminated.
	Internal leak in dispenser	Locate leak and repair - Press reset on control board. Contact Follett if icemaker is leaking.
	Sleep mode	Press either dispense button to return to normal operation.

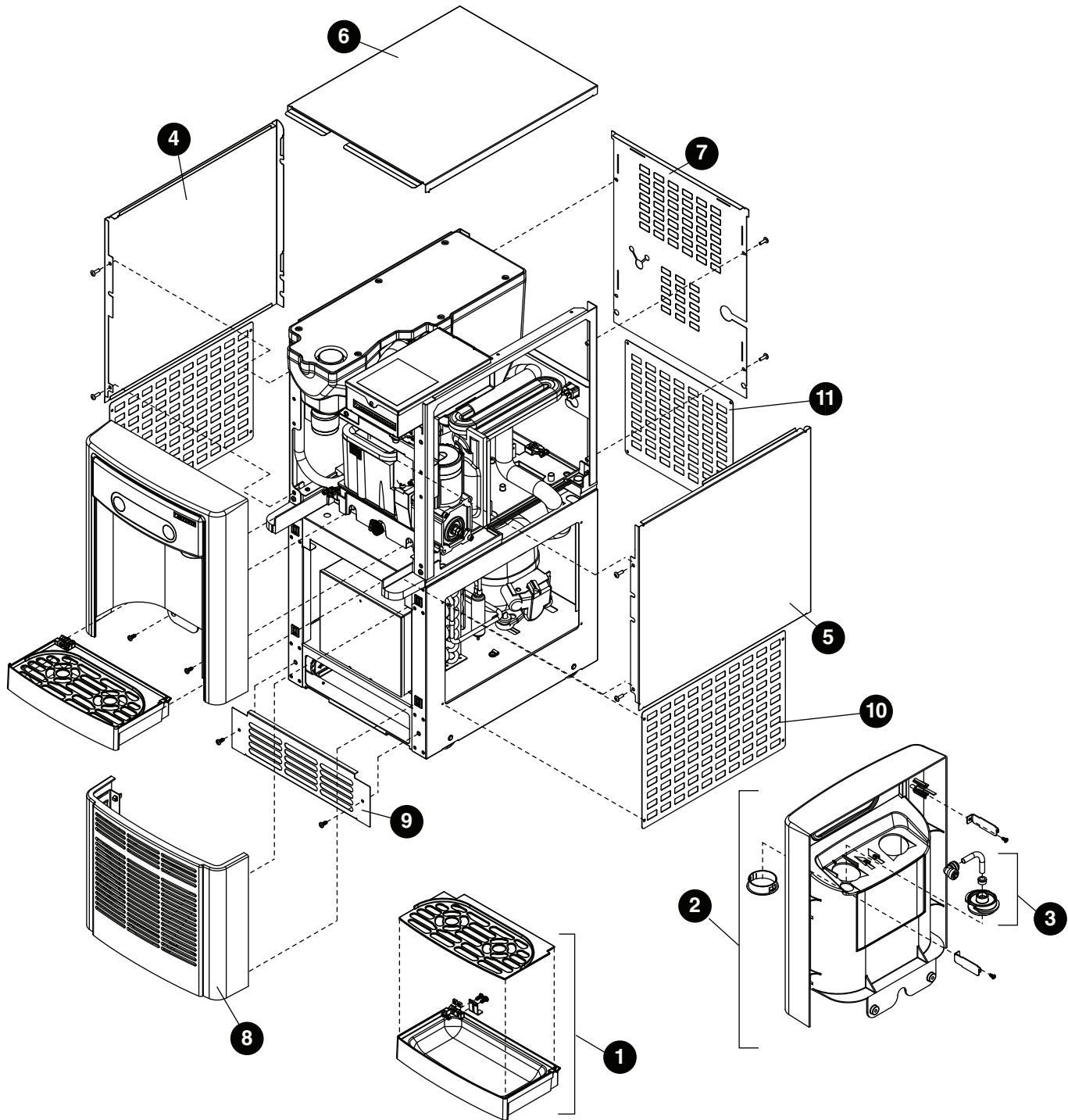
Service (continued)

Electrical Wiring Diagram



Parts

Exterior

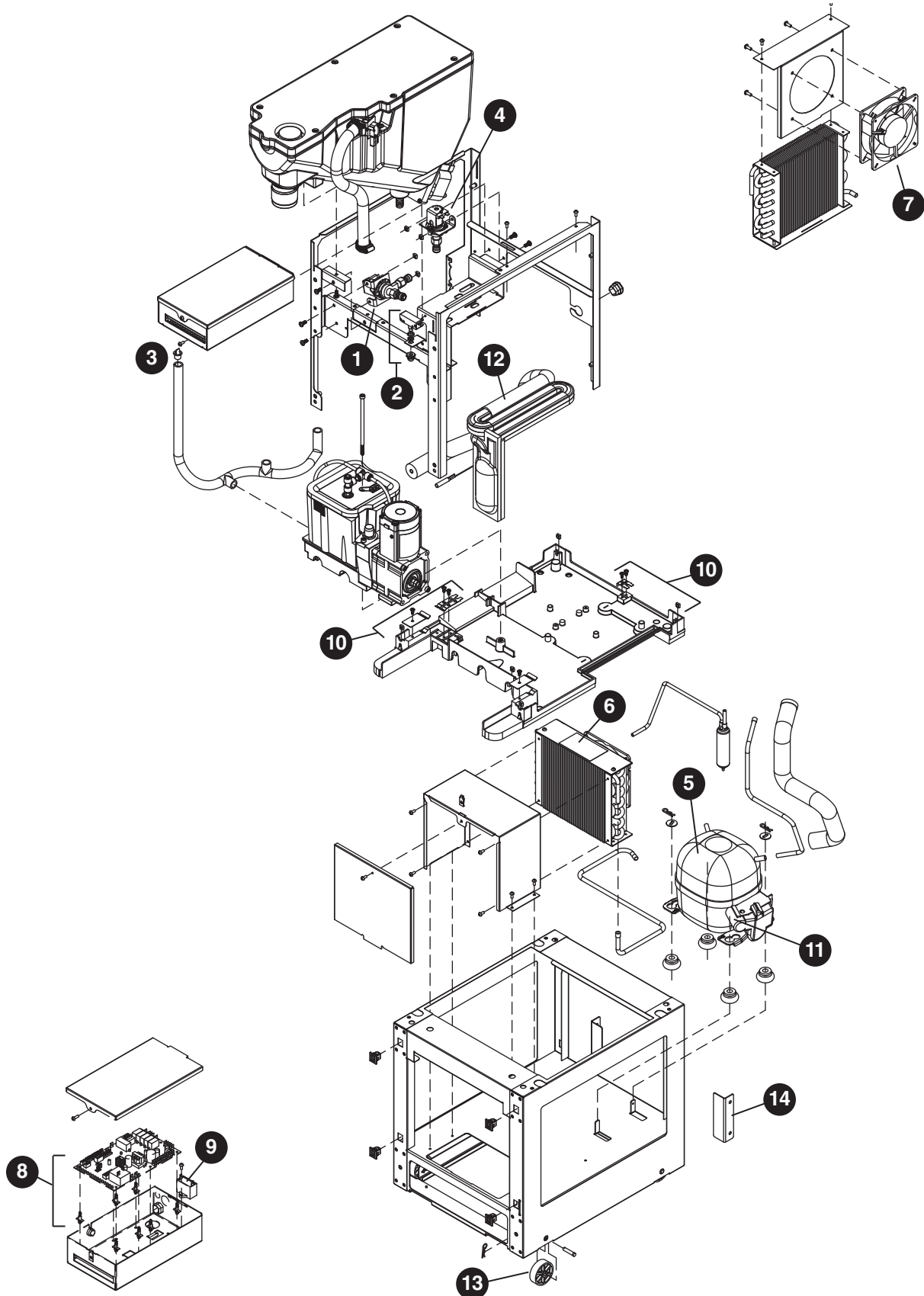


Parts (continued)

Exterior

Reference #	Description	Part #
1	Drain, Tray Assy	00957613
2	Panel, Front Assy - Includes Water Nozzle and Plug	00957621
3	Chute, Water (water option)	00957688
4	Panel, Top Left	00924761
5	Panel, Top Right	00924779
6	Panel, Top	00957654
7	Panel, Rear	00957662
8	Panel, Lower, 7UC100A Height: 12.0" (304.8 mm)	00924738
	Panel, Lower, 7UD100A Height: 10.0" (254 mm)	00924746
9	Panel, Intake	00924787
Not Shown	Cord, 115 VAC	00958058
Not Shown	Packaging for Returns, Dispenser	00957993
Not Shown	Covers, Agion, User Interface	00969030
10	Panel, Bottom Left/Right, 7UC100A	00967331
	Panel, Bottom Left/Right, 7UD100A	00967356
11	Panel, Bottom Rear, 7UC100A	00967349
	Panel, Bottom Rear, 7UC100A	00967364
Not Shown	Fitting, Elbow - 1/4" FPT x 1/4" Tube	00974261
Not Shown	Drip Tray Drain Kit	00956375

Interior

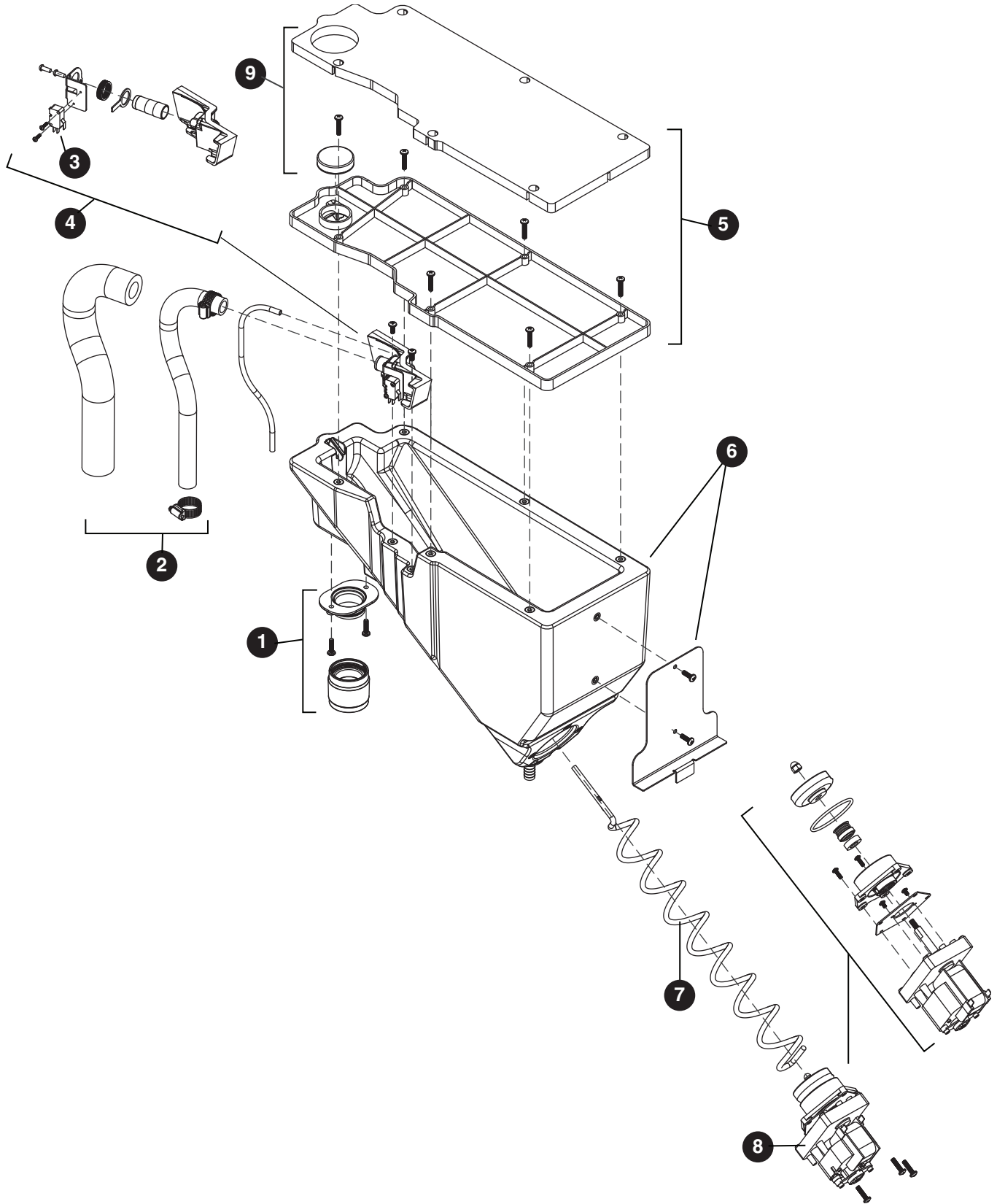


Parts (continued)

Interior

Reference #	Description	Part #
1	Valve, Dispense Solenoid (water option)	00957704
2	Switch, Cleaning	00957712
3	Drain/Feed Tube with Cap	00957720
4	Valve, Failsafe Solenoid	00957738
5	Compressor with Mounting Hardware	00958009
6	Condenser	00958017
7	Condenser Fan and Cord	00958025
8	Control Board with Stand-offs	00958033
9	Capacitor, Gearmotor	00958041
10	Sensor, Retainer Hardware Kit	00958066
11	Relay and Overload	00958090
12	Refrigeration, Piping Assy	00958132
13	Roller Kit, Set of 4	00924753
14	Bracket, Stop	00924795

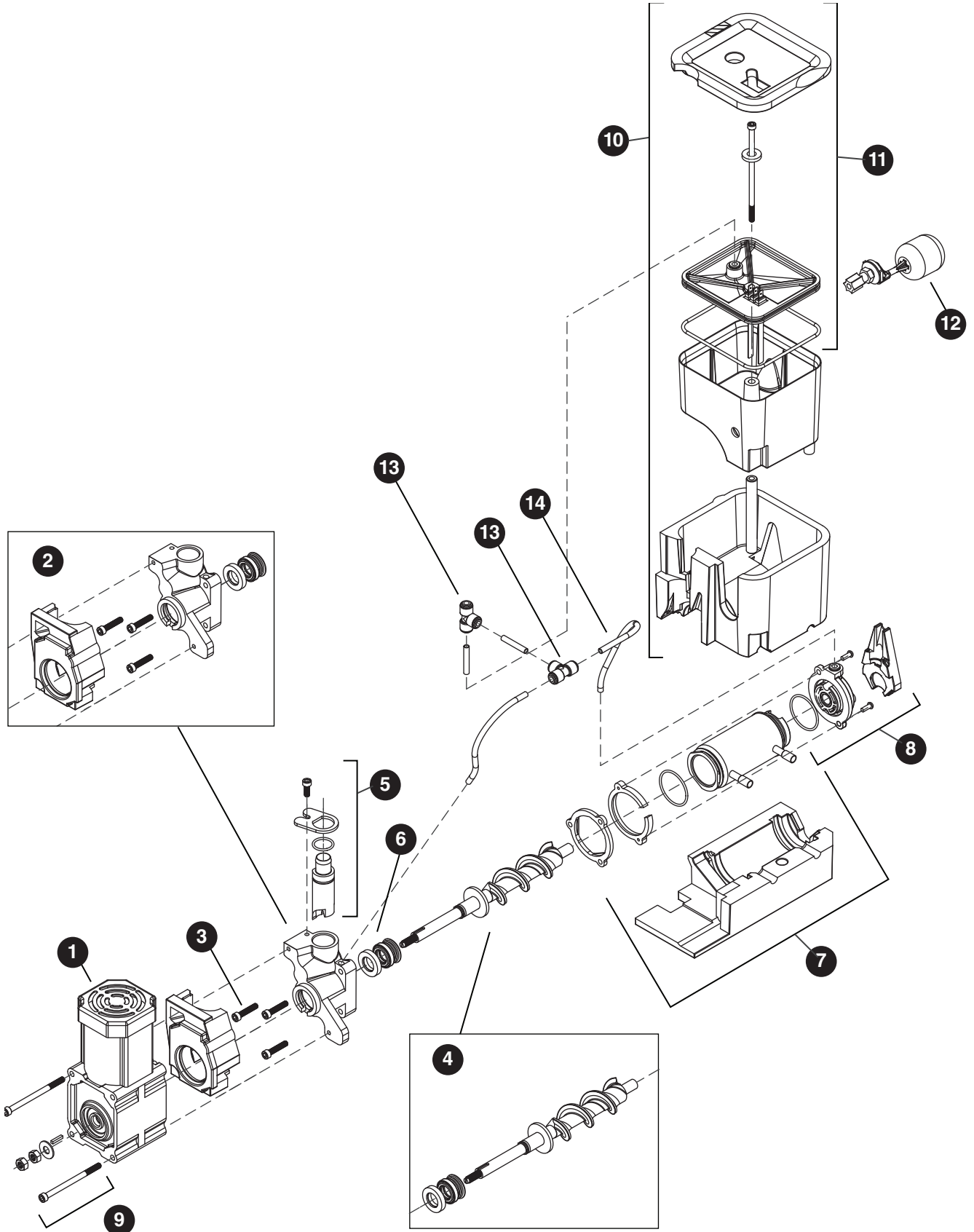
Bin Assembly



Parts (continued)**Bin Assembly**

Reference #	Description	Part #
1	Ice Chute Assembly	00957670
2	Ice Transport Tubing with Insulation	00957746
3	Switch, Shuttle	00957753
4	Shuttle, Complete Assy	00957761
5	Lid, Bin Assy	00957779
6	Bin, Assy	00957787
7	Auger, Dispense	00957795
8	Motor, Dispense	00957803
9	Cap and Insulation, Bin	00957936
Not Shown	For serial numbers D17619 and below:	
	Bin Cap	00931519
	Ice Chute	00927210
	Chute Adapter	00926550

Evaporator Assembly



Parts (continued)**Evaporator Assembly**

Reference #	Description	Part #
1	Gearmotor	00957811
2	Main Housing with Front Seal and Screws	00957829
3	Screws, Main Housing	00957837
4	Auger with front seal	00957845
5	Ice Compression Nozzle Assy	00957852
6	Front Seal and O-Ring	00957860
7	Evaporator Assembly with Insulation	00957878
8	Housing, Bushing with Insulation	00957886
9	Hardware kit, Gearmotor	00957894
10	Reservoir and Float Complete Assy	00957902
11	Lid, Reservoir with Insulation and O-Ring	00957910
12	Float Valve	00957928
13	"T" Fitting - 1/4"	502923
14	Tubing - 1/4"	502079

Miscellaneous

Reference #	Description	Part #
Not Shown	Water filter cartridge, 5 micron	00968107
Not Shown	Cleaning and sanitizing kit, single use	00979856
Not Shown	SafeClean, case of 24	00132001
Not Shown	IMS II sanitizer concentrate, 16 oz	00979674

SafeCLEAN is a trademark of Follett Corporation.

Chewblet and Follett are registered trademarks, and Horizon is a trademark of Follett Corporation, registered in US.



801 Church Lane • Easton, PA 18040, USA
Toll free (877) 612-5086 • +1 (610) 252-7301
www.follettice.com



00966879R06
© Follett Corporation 5/13