

Pedestal Kit

Order parts online
www.follettice.com

Installation Instructions

CAUTION

- DO NOT TRANSPORT UNIT MOUNTED ON PEDESTAL. Remove refrigerator or freezer from pedestal prior to transport.

Materials supplied

- (1) Pedestal assembly (#00931154)
- (1) Pedestal rear panel (#00192310)
- (4) Leveler legs (#00128900)
- (4) Screw, hex head, 5/16-18 x 7/8 (#207476)
- (2) Wall bracket (#00172643)
- (8) Screw, #10-32 x 1/2, thread cutting (#208568)

Tools required

- #2 Phillips screwdriver
- 11/32" Wrench or socket
- Drill
- #19 (0.166) or 5/32" drill bit

Installation

Before beginning installation

Follett's REF/FZR pedestal kit may be used ONLY with REFs or FZR equipped with a STRAIGHT bottom kickplate as shown in Fig. 1.

Do NOT proceed with the installation if the unit has a recessed kickplate (section below temperature display is set back) as shown in Fig. 2.

If you want to place REFs or FZR with recessed kickplates on a pedestal, call Follett Technical Service 800-523-9361 to order retrofit straight kickplates.

Installing leveler legs

1. Remove leveler legs from bottom of REF or FZR to be mounted on pedestal. Tip REF or FZR back just enough to remove leveler legs (these will not be used, Fig. 3).

Fig. 1 – Straight kickplate

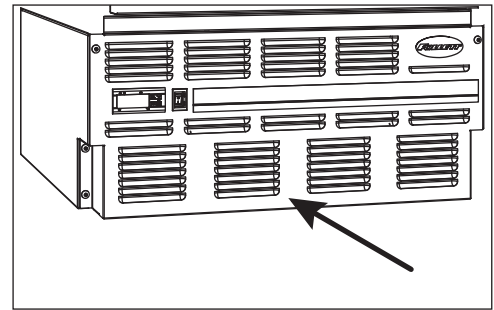


Fig. 2 – Recessed kickplate

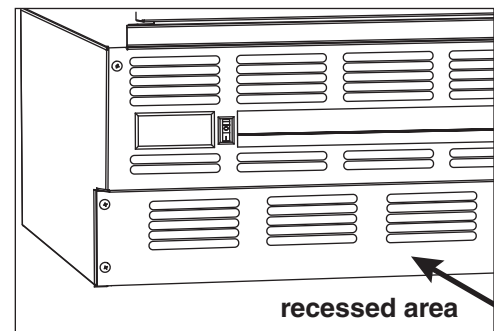
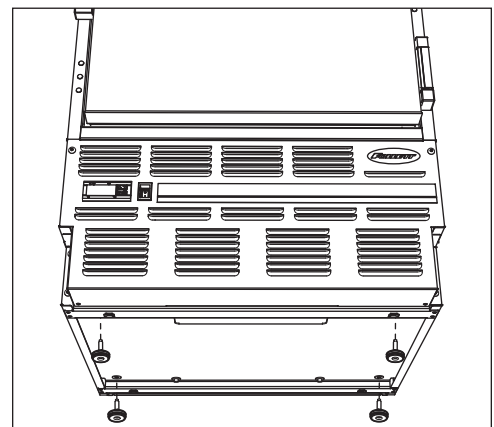


Fig. 3



2. Remove leveler legs from plastic bag packed with pedestal kit.
3. Tip pedestal back and screw legs into base all the way to stop. (They will extend 1/8" below base of unit, Fig. 4).
4. DO NOT install rear panel on pedestal until later, step 8.
5. Place REF or FZR directly on pedestal so it sits firmly on pedestal's flanges. REF or FZR should sit flush with pedestal front and both sides.
6. Install and tighten (4) supplied 5/16-18 hex head screws to join REF or FZR to pedestal. Access screw locations thru open rear of pedestal. Install screws up thru holes in the pedestal flanges and into REF or FZR leg holes (Fig. 4).
7. Install rear panel on pedestal using (4) supplied #10-32 thread-cutting screws into holes provided.

Installing wall anchor brackets

IMPORTANT CAUTIONS:

- Wall anchor brackets **MUST** be installed to secure unit to wall stud and steady the assembly.
1. Position (1) wall bracket flush with top of unit (on handle side) with 2-hole leg against REF or FZR side and 8-hole leg flush with wall.
 2. Using bracket as template, drill (2) holes in REF or FZR side (.0166, #19 or 5/32" drill bit).
CAUTION: DO NOT DRILL DEEPER THAN 1" (Fig. 5.1)
 3. Attach wall bracket to unit with (2) #10-32x1/2 thread cutting screws.
 4. Attach wall anchor bracket into wall stud using hardware and installation method suitable to application and local codes.
 5. Repeat steps 1 – 4 to install additional wall bracket on side opposite handle.

Fig. 4

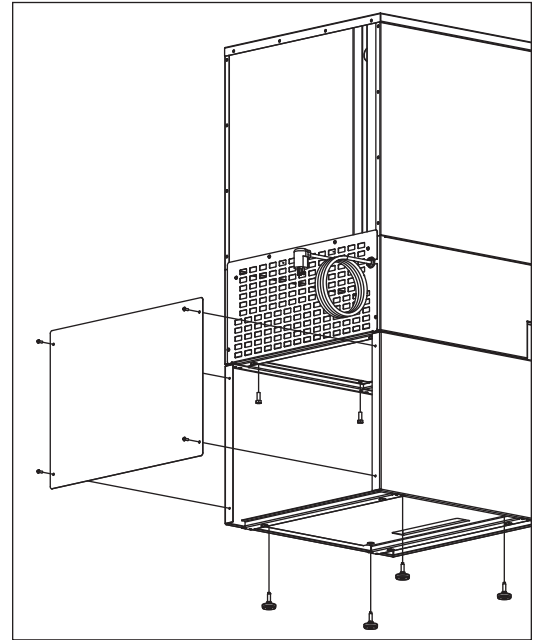
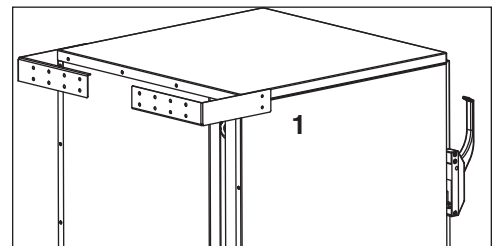


Fig. 5



⚠ CAUTION	
	<ul style="list-style-type: none"> • To access rear of unit after installation, be sure to unscrew wall bracket at wall connection. DO NOT unscrew wall bracket at unit connection. • Failure to follow this caution could result in permanent damage to the connectors and or unit