

Cleaning and sanitizing

Note: Do not clean with water jet.

Exterior care

A mild detergent cleaner may be used to clean the exterior plastic sides of the bin. Stainless steel portions of the bin can be cleaned with a stainless cleaner such as 3M Stainless Steel Cleaner & Polish or equivalent.

Interior care

The interior should be cleaned and sanitized every six months, or more often as conditions dictate, with the solutions A and B shown below.

Solution A – Cleaning solution:

Combine 1 oz (30ml) bleach with 2 gal (7.6L) hot water for 200 ppm available chlorine.

Solution B – Sanitizing solution:

Combine 1/4 oz (7ml) bleach with 2 gal (8L) hot water for 50 ppm available chlorine.

Cleaning brush

A long-handled cleaning brush should be used to access the bottom of the Ice Pro bin.

Cleaning and sanitizing procedure

1. Remove all ice from bin
2. Disconnect power from icemaker and dispenser (Fig. 13.1).
3. Remove ice storage window (Fig. 13.2).
4. Remove front cover by loosening side thumb screws and lifting off of top guide pins (Fig. 13.3).
5. Detach gearmotor's two latches and set motor and attached auger coupling aside. (Fig. 14.1).
6. Remove blower duct by loosening thumb screw rotating clip and lifting up (Fig. 14.2).
7. Remove ice chute assembly (Fig. 14.3).
8. Pull out auger (Fig. 15.1).
9. Remove auger tube by unscrewing thumb screw on left side, lift up on retaining clamp and pull tube out of bin. Note position of locating slot on upper end for reinstallation (Fig. 15.2).
10. Remove drip tray from bag stand (Fig. 15.3).
11. Clean all components, inner bin storage surfaces and dispense chute surfaces with a brush and cleaning solution A. Rinse thoroughly with clean water.
12. Sanitize all components and bin storage surfaces with solution B - do not rinse.

Drain line care

After cleaning and sanitizing procedure, and before refilling bin with ice, pour a solution of one cup (8oz / 237ml) bleach mixed with one gallon (3.8L) hot water into drain to help prevent algae growth in the drain lines.

Fig. 13

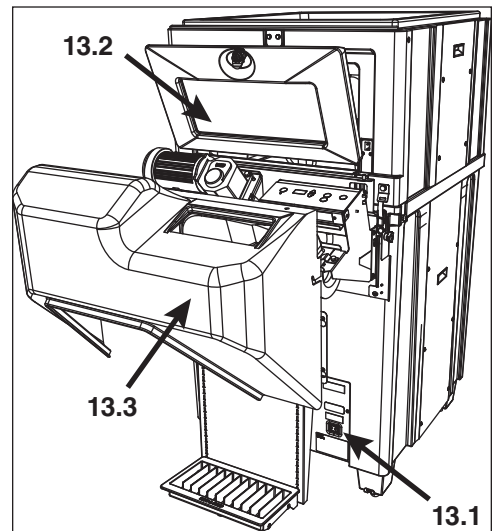


Fig. 14

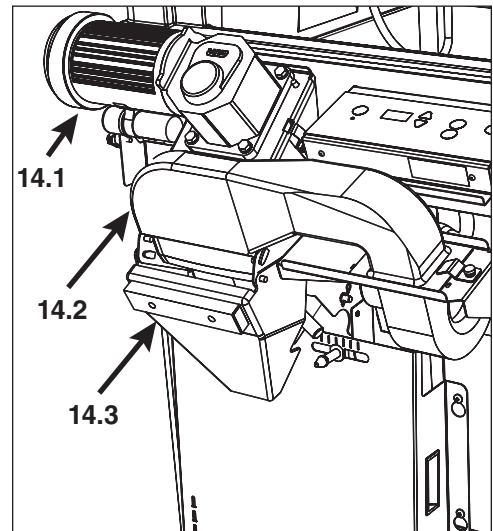


Fig. 15

